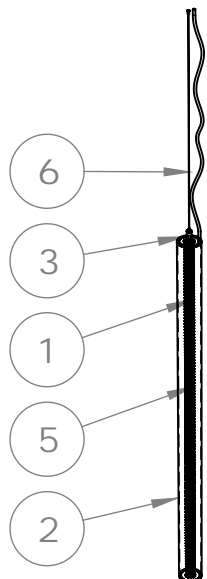


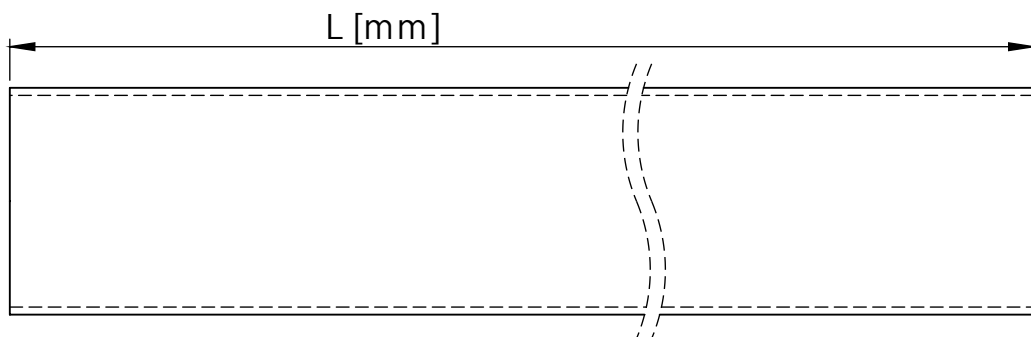
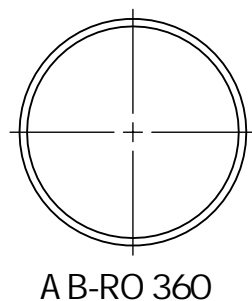
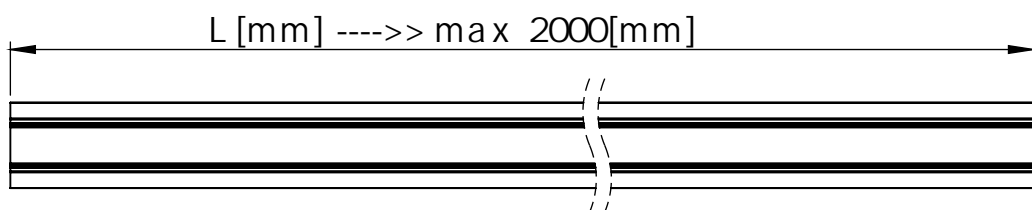
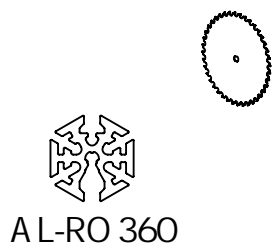
ALU-360, vertical



List of luminaire components

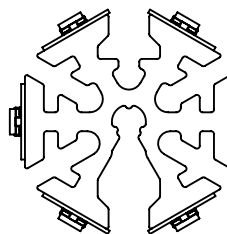
| Item | Code | Comments | Quantity |
|------|-------------------|------------|--------------------|
| 1 | AL-RO 360 | profile | 1 |
| 2 | AB-RO 360 | diffuser | 1 |
| 3 | EC-RO 360-VER | end cap | 2 per luminaire |
| 4 | DIN 7982 ST3.5x16 | included | 1 per end cap |
| 5 | 5W/m LED STRIP | LED strip | 18 (6x3) per 1 [m] |
| 6 | SUSPENSION CABLE | set of two | 1 |

1



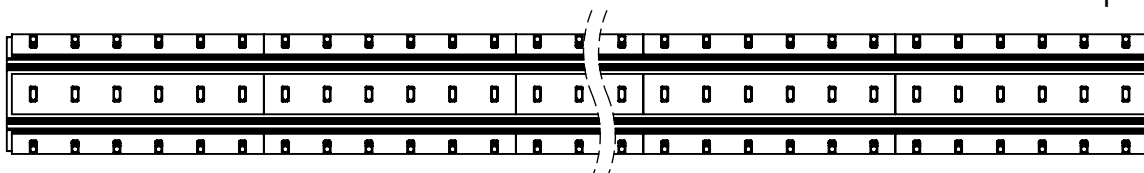
2

ALU-360 maximum power handling capability is 30W/m,
!!!
(5W/1m x 6pcs/6 arms)



Maximum PCB width is 8[mm]

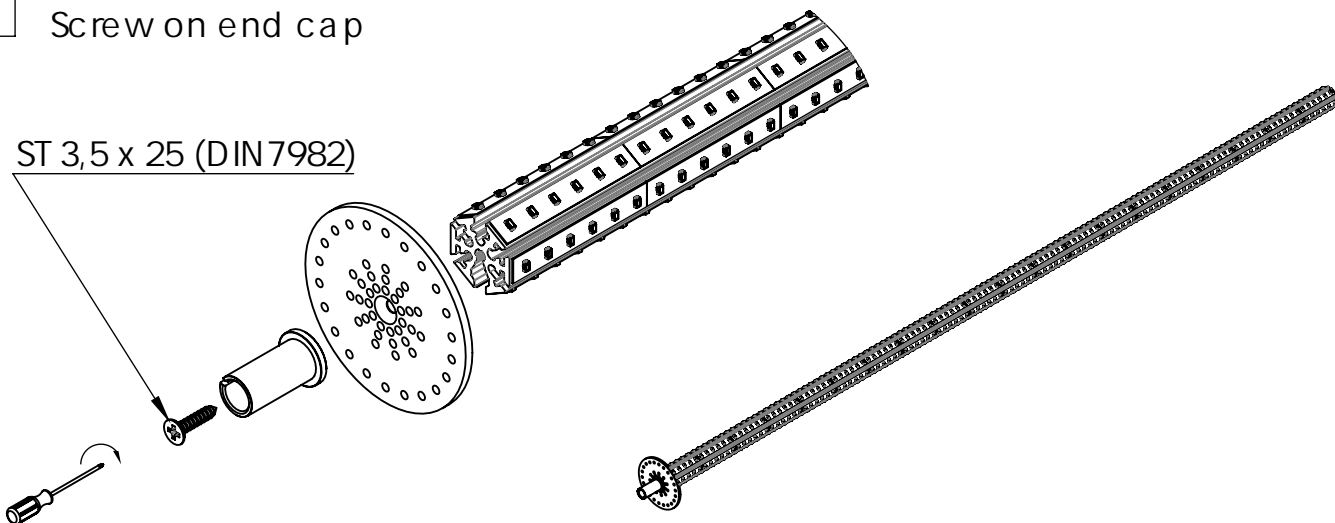
Use thermal conductive tape



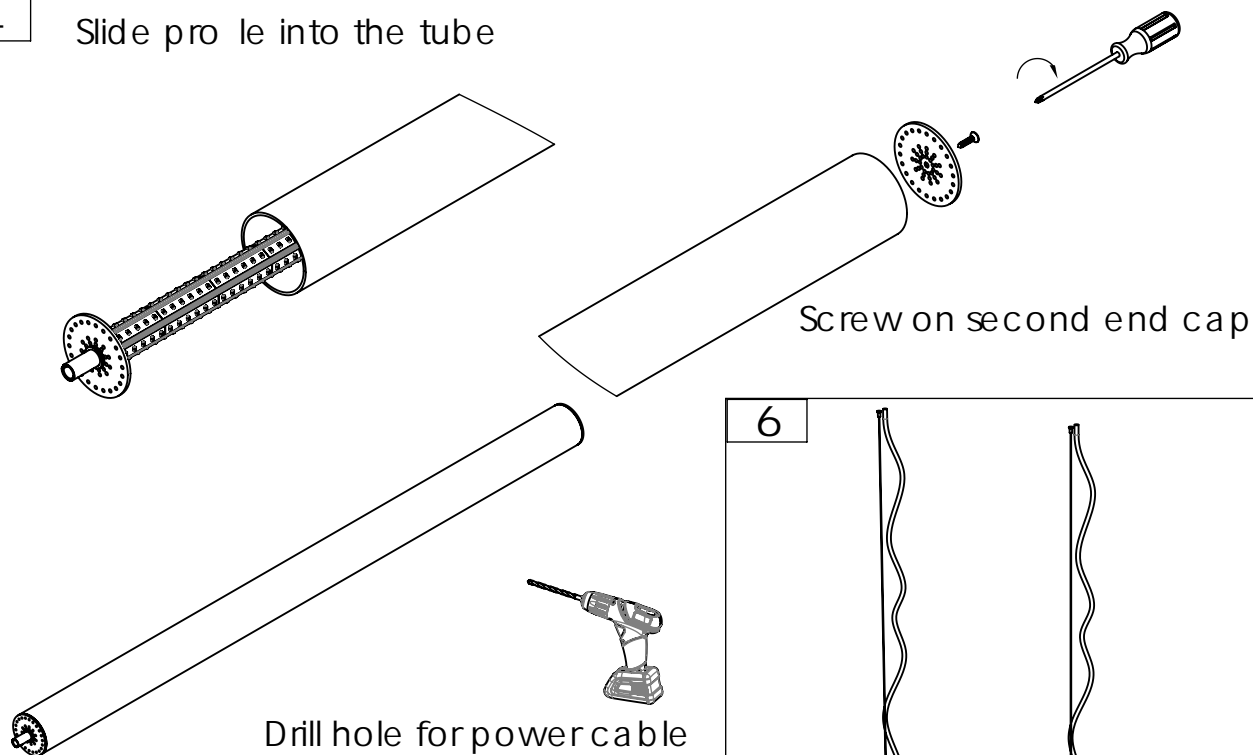
Instruction for mounting

3 Screw on end cap

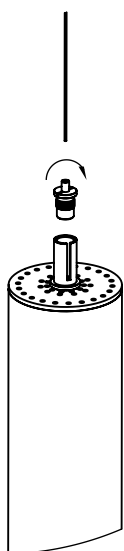
ST 3,5 x 25 (DIN7982)



4 Slide profile into the tube

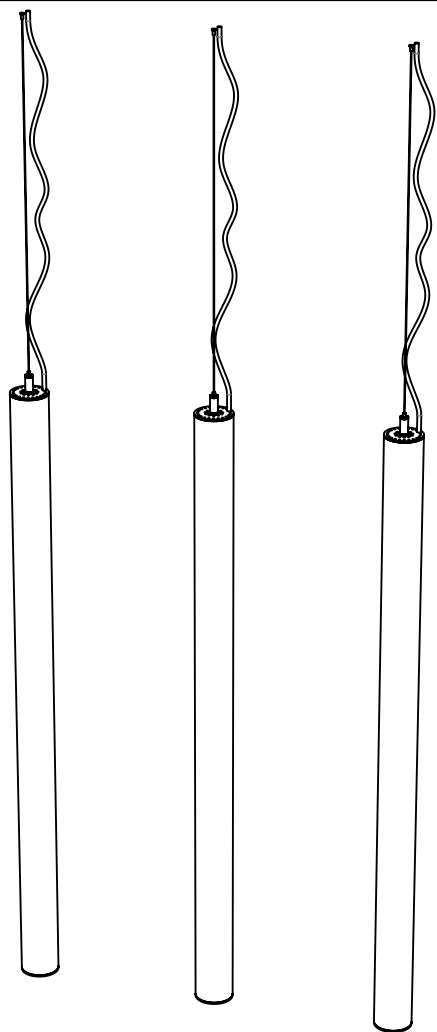


- ## 5
1. Lead the line through holder
 2. Adjust the length
 3. Screw on the holder



Type of fixing vary and depends of the type of surface. It's customer responsibility.

6



Connect power cable