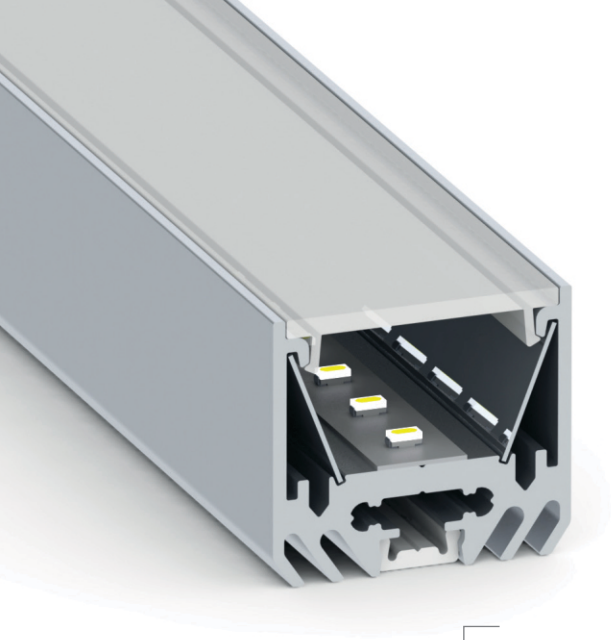


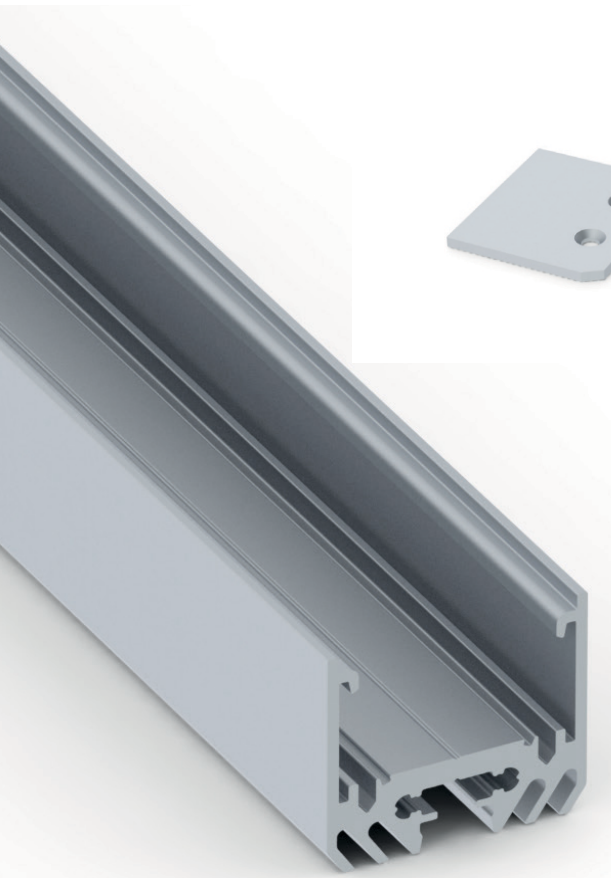
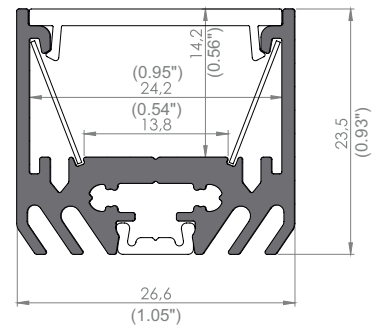
# ALU EPOXY 2 LED PROFILE

ALU-EPOXY2; 26,6 x 23,5 mm

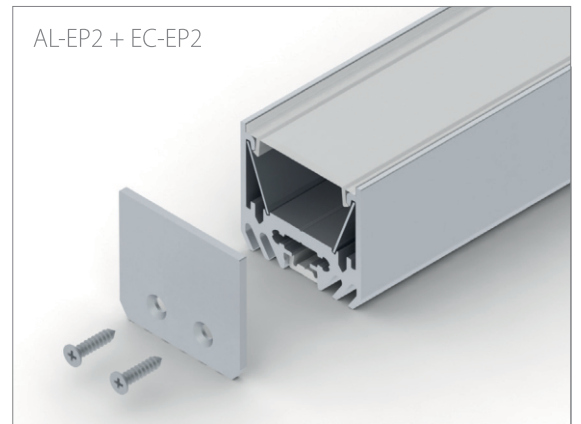


AL-EP2  
AB-EP  
AL-REF-13  
6-DURIS

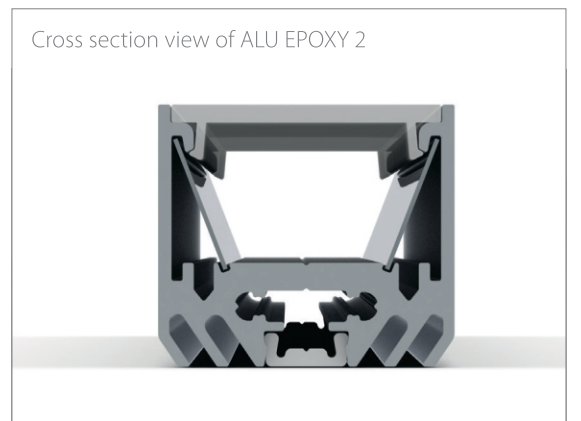
Based on our successful Alu-Epoxy profile we proudly present a new improved Alu-Epoxy 2. Thanks to its special radiators this profile comes as a great heatsink, capable of housing LED strips up to 30W/m. Chasing market's higher standards Alu-Epoxy 2 is suitable for ZHAGA standard LED strips, through contoured channels for mounting screws. The extrusion can also be equipped with reflectors made of highly polished aluminum with a high light reflectance (> 95%), that solution enhances lighting performance by 15% - less power = more light. For the ease of installation the profile was designed to be used together with mounting base. Together with opal and clear diffusers come anodized aluminum endcaps providing elegant finish.



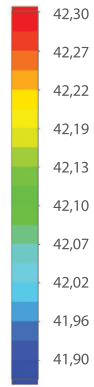
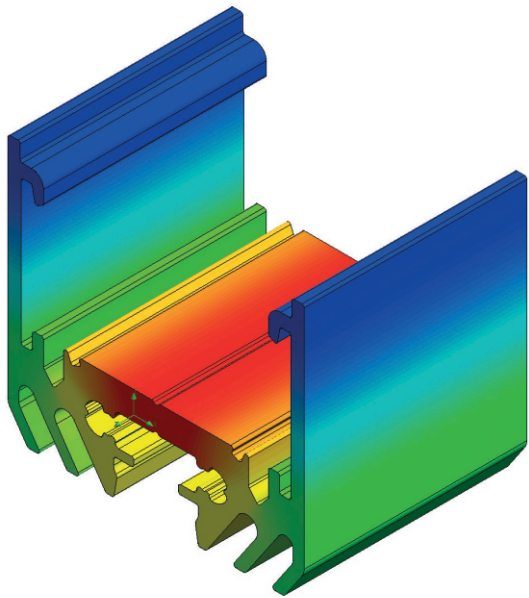
Aluminum end caps  
EC-EP2



AL-EP2 + EC-EP2



Cross section view of ALU EPOXY 2



### Temperature (Solid) [°C]

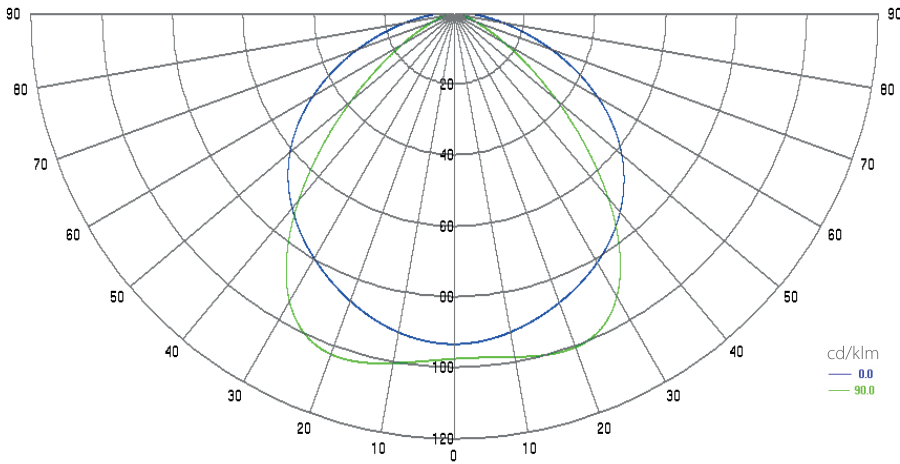
Ambient temperature : 25° C  
 Total power: 21,6 W/m (90 LEDs)  
 LED stripe: 10-5060  
 Installation mode for test  
 purpose: surface

AL-EP2  
 AB-EP  
 AL-REF-13



### Polar Candela Distribution Plot Using Missed Rays

Light distribution diagram with AB-SL FL / with reflector



AL-EP2  
 AB-EP  
 EC-EP2

