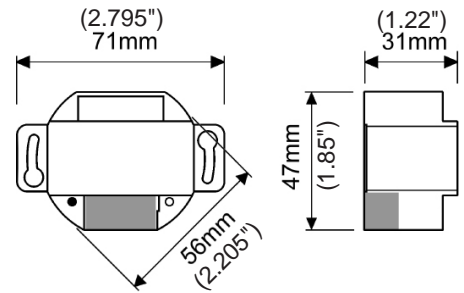
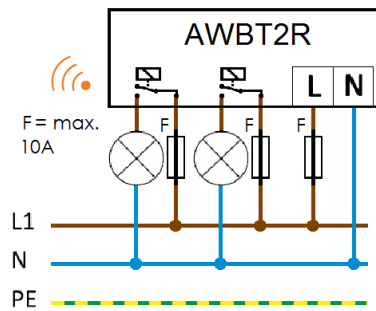




Dual actuator with CASAMBI lighting control



Typical connection scheme



actuator

Part no.	808888
Type	AWBT2R
Supply voltage	130..240 Vac
Frequency	50..60 Hz
Switched voltage	max. 240 Vac
Switched current	2 x max. 10 A
Inrush current relay	max. 165 A 20 ms
Radio signal	2,4..2,483 GHz, 4 dBm
Ambient temperature (ta)	0..+50 °C
Rated max. temperature (tc)	70 °C
Dimensions	71 x 47 x 31 mm

Actuator with two independent relays, potential free, for convenient operation with smart devices
 Configurable with the CASAMBI app and usable in many ways
 For loads esp. with high inrush currents (LED power supplies)
 Integrated antenna
 (drawing: grey marking, do not cover with metal housing)
 Built-in device, optimized for use in a flush-mounted box
 Protect each relay and supply input with fuse 10 A!
 With push key for functional test (push with voltage tester or similar)

Repeated press:

relay 1	relay 2	signal LED
on	o	green
o	o	o
o	on	red
o	o	o
on	on	red + green
o	o	o

DISTRIBUTED BY

Wired 4 Signs USA +1 (865) 339 4956
 Info@w4susa.com www.w4susa.com
 7669 Clinton Highway, Powell, Tennessee, 37849