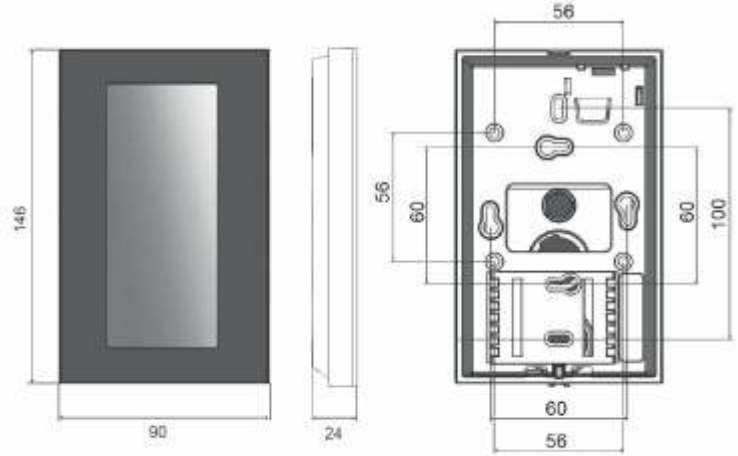




Wall touch panel - ARCA PRO for CASAMBI networks



	black	white
Part no.	808565	808566
Type	ARCA-PRO BT24B	ARCA-PRO BT24W
Part no.	808535	808536
Type CO ₂ and humidity	ARCA-PRO-BT24HCB	ARCA-PRO-BT24HCW
Input voltage	15..35 Vdc	
Current consumption	80 mA	
Radio signal	2,4..2,483 GHz; 4 dBm	
Range	up to 30 m	
Ambient temperature (ta)	0..+50 °C	
Dimensions	90 x 146 x 24 mm 3.543" x 5.748" x 0.945"	

Elegant touch panel for controlling devices in CASAMBI networks via

8 scenes and/or 8 groups

Configurable with the CASAMBI app and usable in many ways

With high-resolution 4.8" display with glass surface

The home screen displays the date and time, room temperature,

favorites buttons, and navigation pane

Screen saver to reduce burn-in effects

Protection class: 3

For easy wall mounting, the control element can be removed

Power supply separately available, e.g. 401243

In the case of the types with sensors for CO₂ and humidity, the values are displayed on the home screen, but do not trigger any control

DISTRIBUTED BY

Wired 4 Signs USA +1 (865) 339 4956
 Info@w4susa.com www.w4susa.com
 7669 Clinton Highway, Powell, Tennessee, 37849