

# SVA025-C

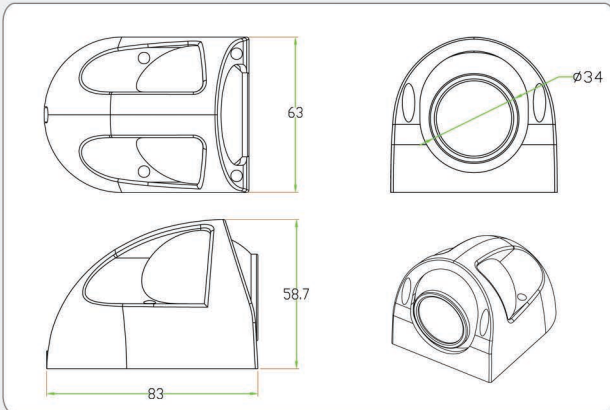


## Features

- High Resolution Day/Night Camera, 500 TVL
- 150 Degree Wide Angle Field of View
- Designed for Side Mounting on Exterior of Vehicle
- Flush Mount Option Hides Cable from Exposure
- IP67 Weatherproof Rating
- 10 IR LEDs for Increased Night-Time Visibility
- Compact & Rugged Design
- Adjustable Lens Angle
- 5, 10, 15, or 20m Extension Cable Length Available



## Dimensions



## Cable



## Alternative Views



## Specifications

SVA025-C	
Images sensors	Aptina 1/4" CMOS
Resolution(TV Line)	500 TVL
Effective pixels	720*480 (NTSC) /720*576 (PAL)
Minimum illumination	0.1 lux
IP rating	IP67
lens Angle(Deg.)	150°
TV System	NTSC/PAL
Power Supply(DCV)	DC12V±1V
Power	<1W
Electronic shutter	1/60(NTSC)1/50(PAL)1/10,000second
S/N Ratio	≥48dB
Video output	1.0vp-p.75ohm
White Balance	Auto
AGC	Auto
Operating Temperature(Deg. C):	-20~+75(RH95% Max.)
Storage Temperature(Deg. C):	-30~+85(RH95% Max.)

