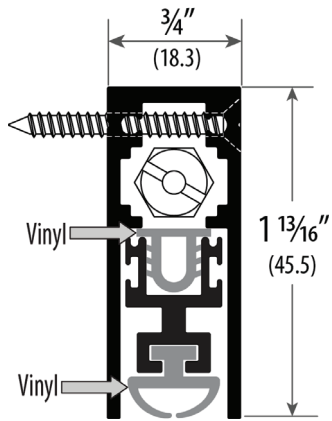




# ADB-702

Automatic Door Bottom

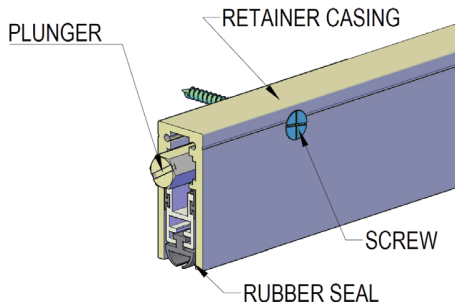
# AUTOMATIC DOOR BOTTOMS (ADB)



ITEM/FINISH:

**ADB-702**

VINYL INSERT  
MILL FINISH ALUMINUM



TESTING/RATINGS:



## Installation Guidelines:

1. Cut the ADB (Automatic Door Bottom) according to the required length. Make sure to only cut from the side with no plunger.

**For surface application:** Cut the ADB approximately 1/32" shorter than the opening of the door. The cut must be beveled 1/8", see illustration 3.

**For Semi-Mortise application:** ADB must be the same length as the door, less 1/32".

*Reminder: If the door is fire labeled, mortise preparation must be done by the door manufacturer to ensure compliance with door standards.*

*Note: The cut should not be less than 1-1/2" before the set screw. See Illustration 4.*

- Place the ADB on the push side of the door. Make sure that the bottom of the aluminum is parallel to the surface of the floor. You may use a 1/4" to 3/8" height shim to keep the unit off the floor during installation.
- Fasten unit with screws provided. Ideal clearance between the unit and finished floor is 3/8".
- Set the ADB by turning the actuating plunger clockwise or counterclockwise until the rubber seal gasket touches the floor surface.
- Lastly, install the endplate on both ends of ADB.

a) Surface Mounted:  
the plunger contacts  
the stop.  
See illustration #1.

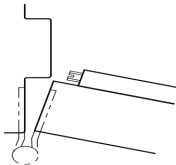


ILLUSTRATION 1

b) Semi-Mortised:  
the plunger contacts  
the rabbet.  
See illustration #2.

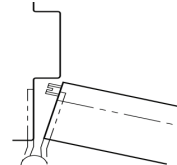


ILLUSTRATION 2

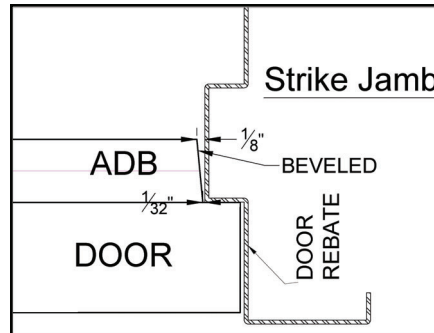


ILLUSTRATION 3

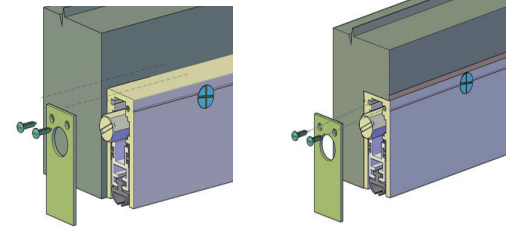
### TOOLS REQUIRED

- Measuring Tape
- Marker
- Power Tools
- Screw Driver
- Cutting Tools

### PACKAGING INCLUDES

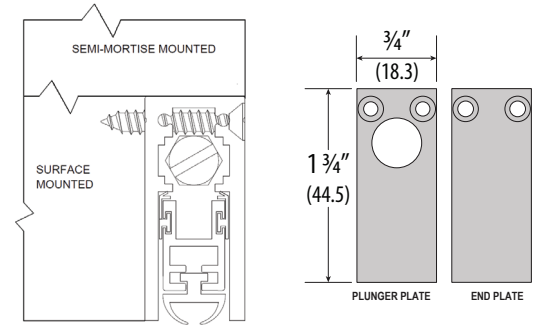
- (1) Automatic Door Bottom
- End Plate
- Screw Pack

## SURFACE MOUNTED OR SEMI-MORTISED APPLICATION

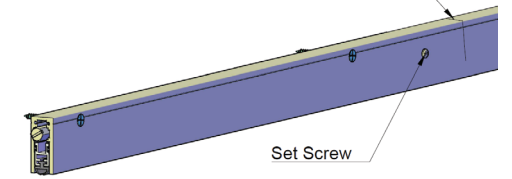


SURFACE MOUNTED

SEMI MORTISED



Maximum Cut should not closer than 1-1/2" to the set screw.



### ILLUSTRATION 4 (Trimming Guideline)

