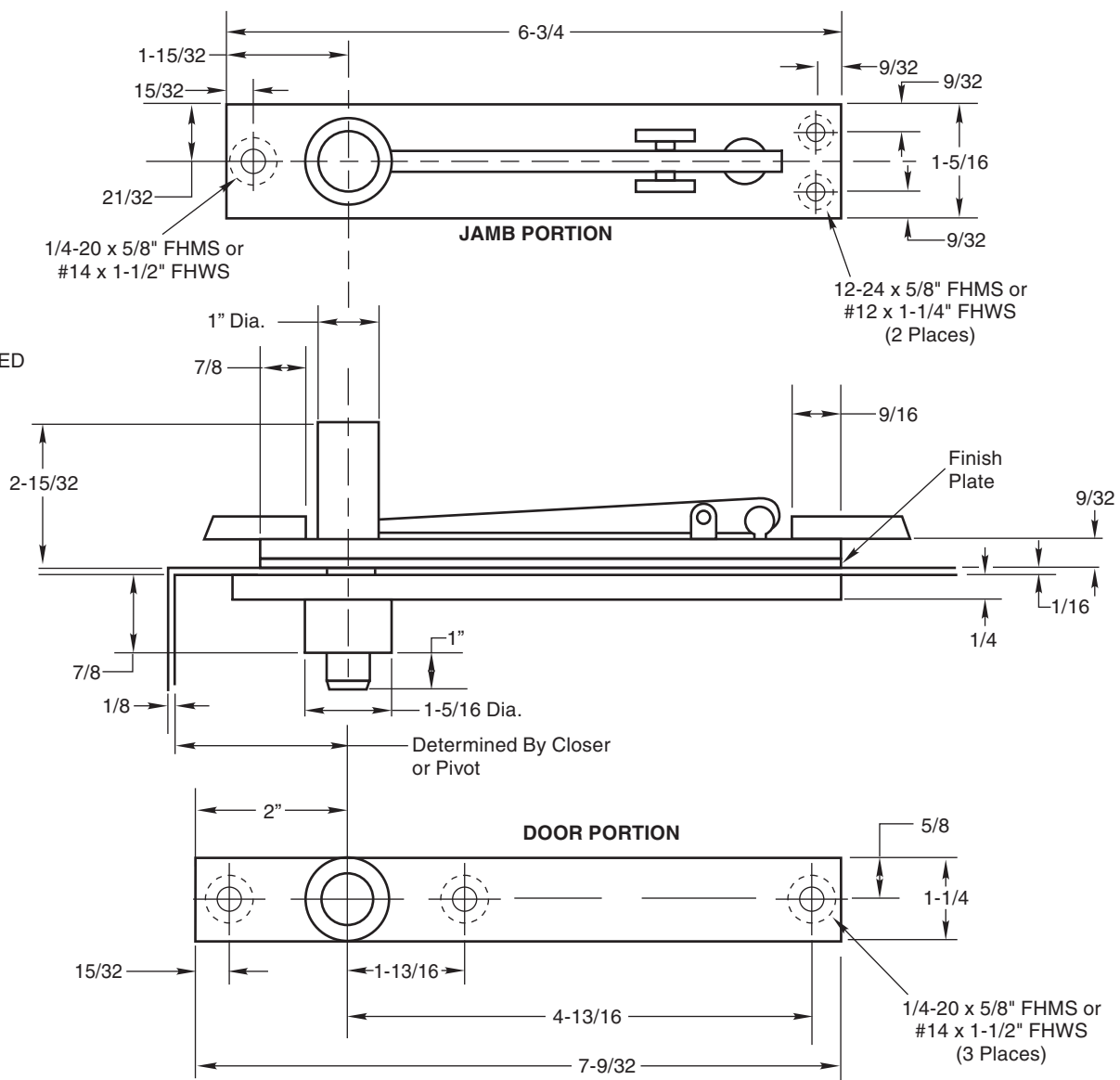


Notes:

1. Do not scale drawing.
2. All dimensions are in inches.

**H345 TOP PIVOT
PIVOT SHOWN ENGAGED**



**Top Pivot
H345
Center Hung**

RIXSON®

ASSA ABLOY

www.rixson.com

TEMPLATE NUMBER

TP40245

DATE

11-09