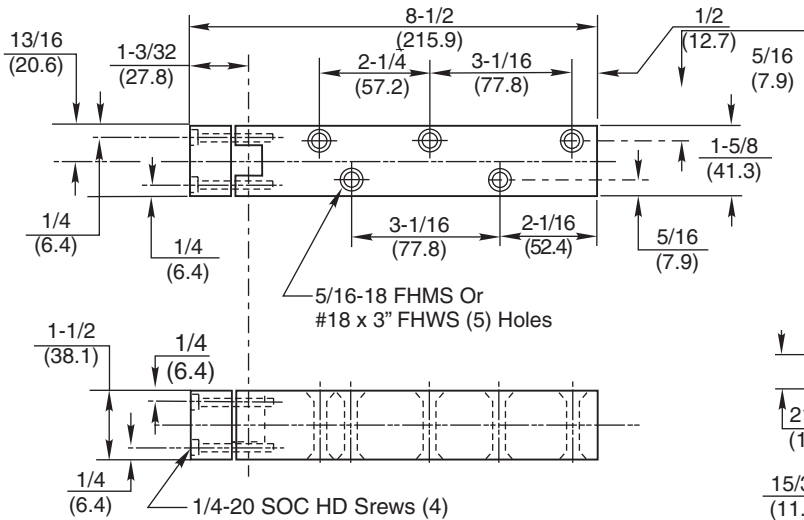


ARM (NON-HANDED)

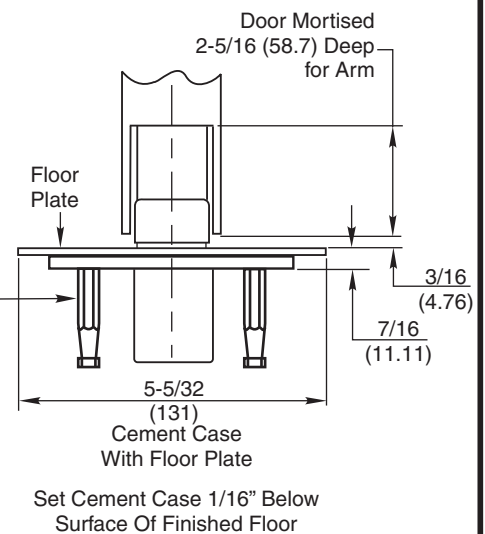
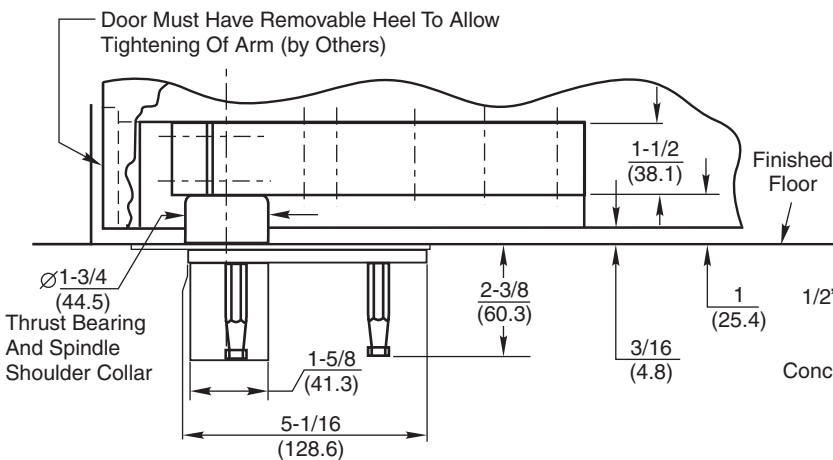
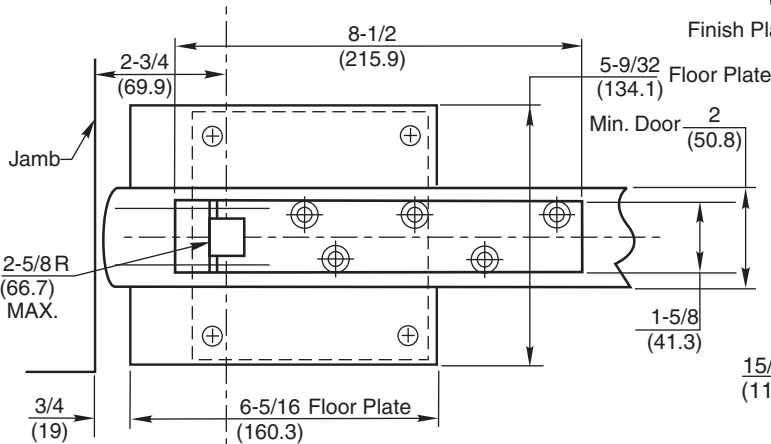
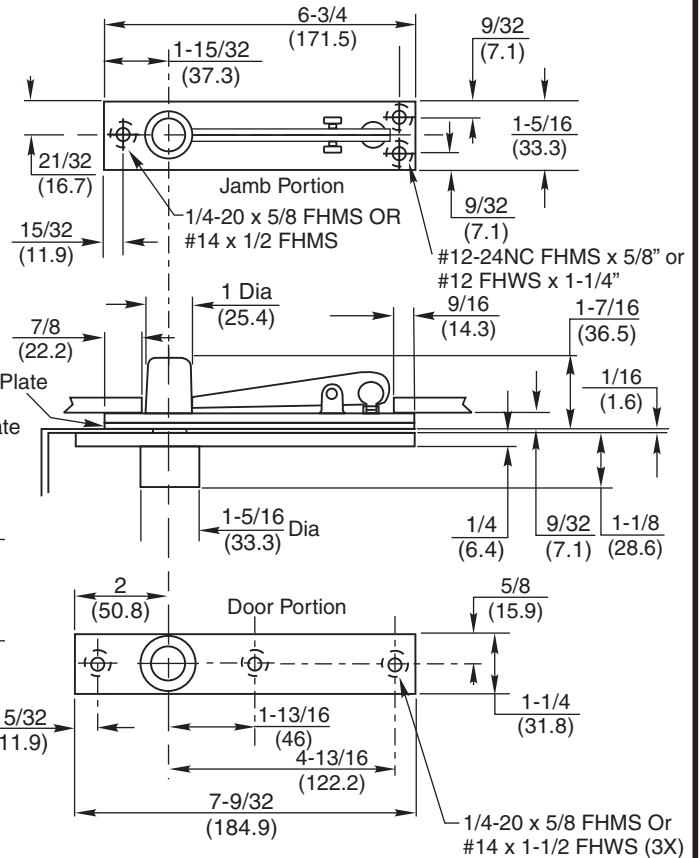


Notes:

1. Do not scale drawing.
2. Dimensions given in inches (mm).
3. Suitable Reinforcing By Others.
4. Rixson Designed Threshold Available On Request
5. This Template Is For A 2" Thick Door Or Larger.
For 1-3/4" Thick Doors Specify SP-LAYOUT-587.
For Wood Doors: Pre-drill Arm And Top Pivot Holes To Prevent Splitting.

H 340 Top Pivot

Shown With 11/16" Dia. Pin Engaged



**H117-3/4 Pivot Set
for Heavy Doors
Center Hung**

RIXSON®
ASSA ABLOY

www.rixson.com

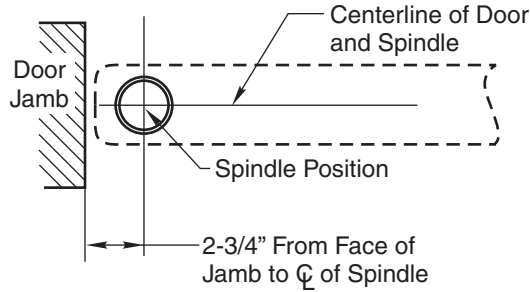
TEMPLATE NUMBER

IS-H117-3/4

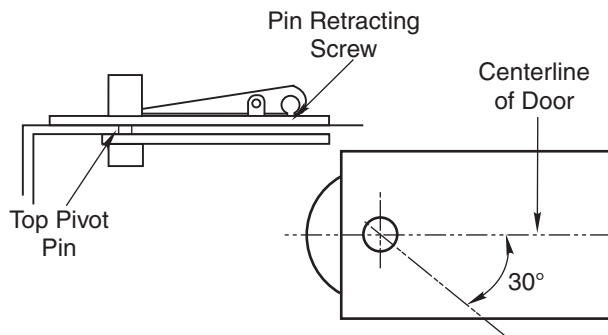
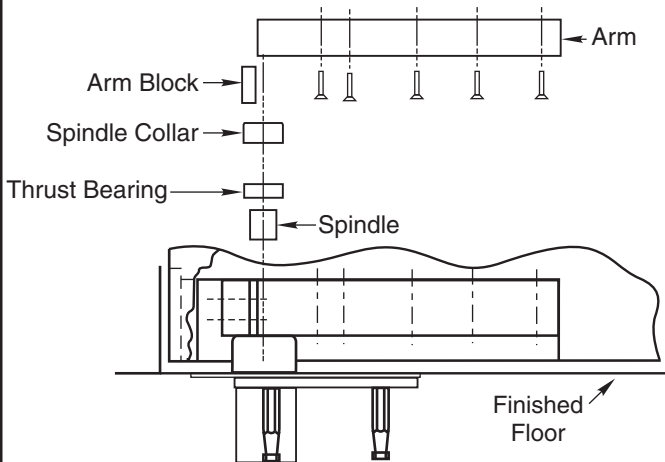
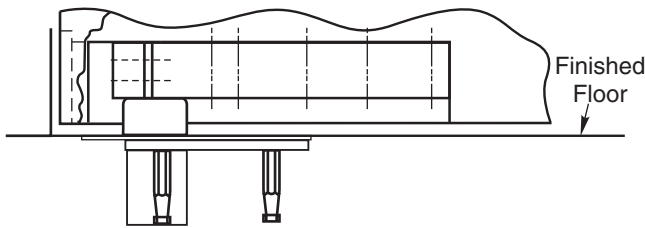
DATE

07-09

H117-3/4 Pivot Set



LEVEL IN BOTH DIRECTIONS



1. Locate Pivot

- A. Measure 2-3/4" out from door jamb on centerline of door. This is the location of the spindle center.

2. Install Cement Case in Floor

- A. For floor plate application: Cement case is set 1/8" (3.2mm) below floor level.
- B. For threshold application: Cement case is set flush with floor.
- C. Set cement case in floor and block in position.
- D. Case should be parallel with center line of door.
- E. CEMENT CASE SHOULD BE LEVEL. Place levels per Ill.
- F. Grout in cement case with closer. Cement should not get between closer and case.

3. Install Pivot and Arm

- A. Install top pivot in door per template.
- B. Install top pivot in jamb per template.
- C. Centerline of pivot pin should line up with centerline of spindle. Use plumb line to assure accuracy.
- D. Mortise door for arm.
- E. Install arm in bottom of door.

4. Hang Door

CAUTION: DO NOT FORCE VALVES DOWN.

- A. Retract top pivot pin by turning retracting pin screw counterclockwise. (see illustration)
- B. Turn spindle to 30° open position. (see illustration)
- C. Slide door on spindle. DO NOT ATTEMPT TO CLOSE DOOR. Attach arm cap but do not tighten.
- D. Line up two portions of top pivot and turn pin retracting screw clockwise.
- E. Tighten arm end block screws.
- F. Open door to 60° or more and open screw valve by turning screw counterclockwise. Door will then close.

**H117-3/4 Pivot Set
for Heavy Doors
Center Hung**

RIXSON®
ASSA ABLOY

www.rixson.com

TEMPLATE NUMBER

IS-H117-3/4

DATE

07-09