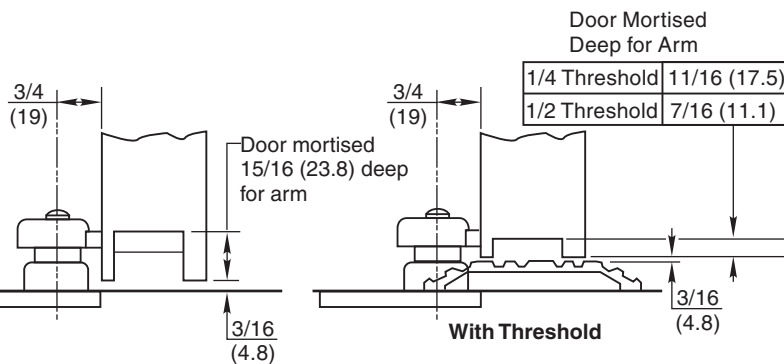
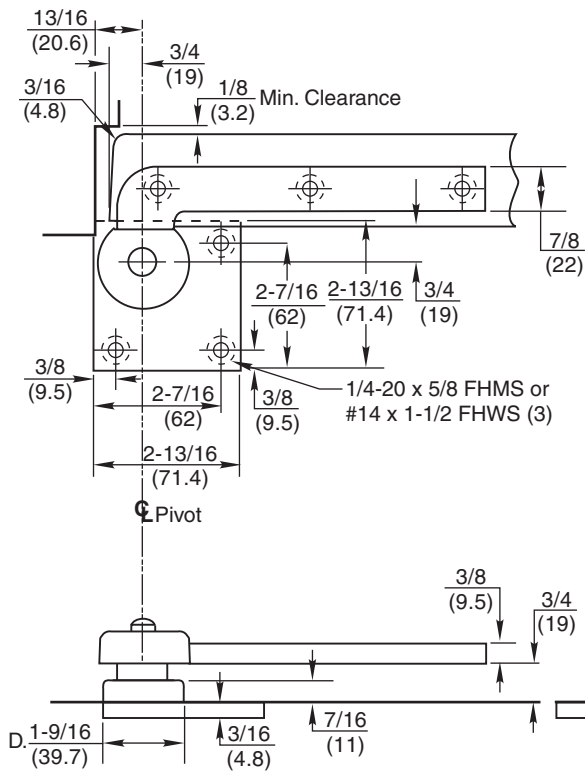
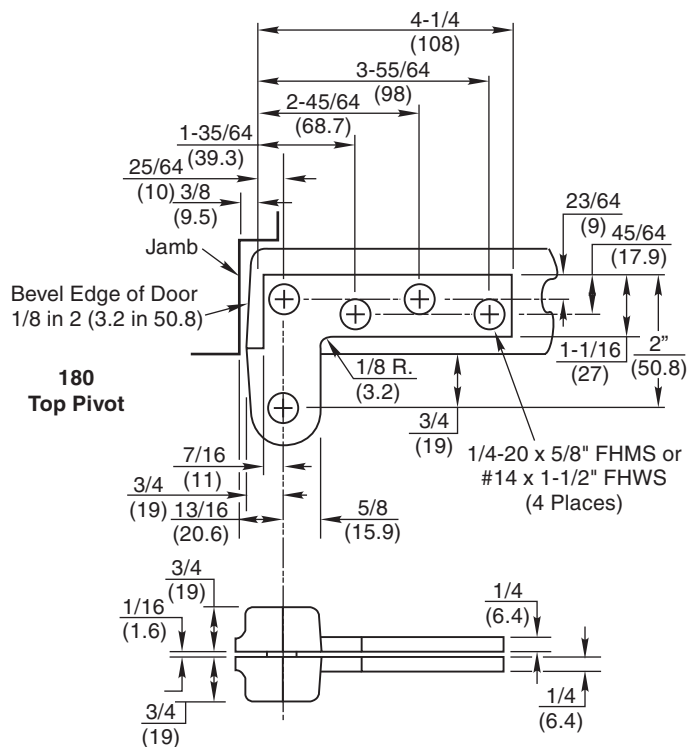


Notes:

1. Do not scale drawing.
2. Right hand shown.
3. Suitable reinforcing by others.
4. Maximum degree of opening 180°, trim permitting.
5. All dimensions are in inches(mm).



**F117/117 Pivot Set
3/4" Offset, Handed**

RIXSON®
ASSA ABLOY

www.rixson.com

TEMPLATE NUMBER

IS-117

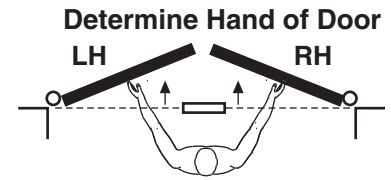
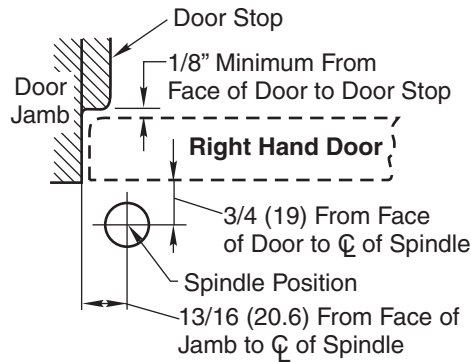
DATE

12-09

F117/117 Pivot Set

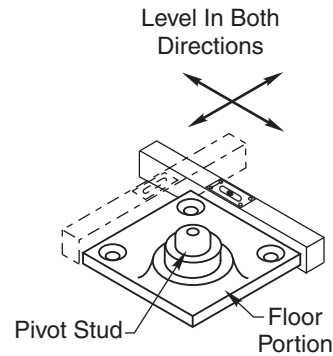
1. LOCATE PIVOT

- Measure 13/16 (20.6) from door jamb.
- Allow 1/8 (3.2) minimum clearance from door stop to door face. Measure door thickness; add 3/4 (19).
- Where lines meet determines centerline of pivot.



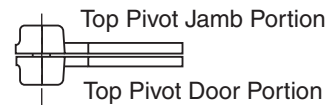
2. SET PIVOT SET (F117 & 117)

- Prepare floor to receive Floor Portion. Set anchors provided securely in floor.
- IMPORTANT:** Floor Portions must be level. Level in both directions per illustration.
- Floor Portion should be parallel with face of door.



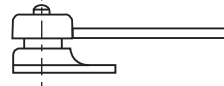
3. INSTALL TOP PIVOT AND PIVOT ARM.

- Install top pivot in door per template.
- Install top pivot in frame per template.
- Install arm in door per template.
- Centerline of top pivot should line up with centerline of spindle.
- If side jamb pivot is used, see required template M19.



IMPORTANT
Use plumb line to make sure that centerline of top pin lines up with centerline of Pivot Spindle.

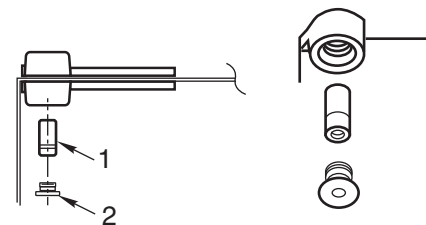
117 & F117 Pivot Set



Right Hand installation

4. HANG DOOR

- Set door on Floor Portion.
- Push top pivot pin (1) up into place and replace cap (2).
- Put arm cap on arm and secure tightly with screw furnished.



Do Not Scale Drawing

**F117/117 Pivot Set
3/4" Offset, Handed**

RIXSON®
ASSA ABLOY

www.rixson.com

TEMPLATE NUMBER

IS-117

DATE

12-09