

Powerful and all-round hydraulic gate closer for wall mounting

VERTICLOSE-2-WALL- (Patented)



The Verticlose-2 Wall gate closer has been specifically designed for wall mounting where the gate closer itself is positioned 90° in relation to the gate. The specially designed arm turns around the wall or post, ensuring a large opening angle. The aesthetic anodised aluminium gate closer with high-tech internal components ensures an exceptionally long life span.



Color options

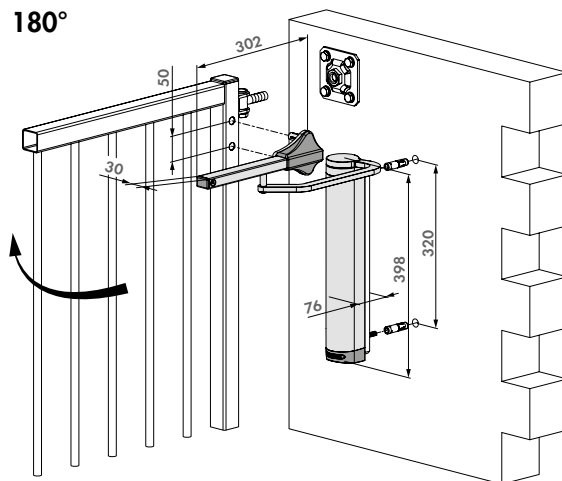
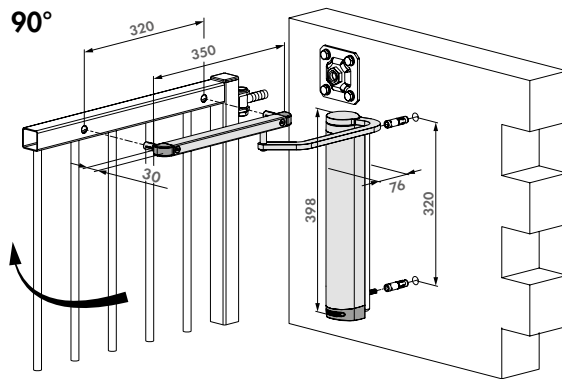
ZILV

Specifications

- ✔ Self-closing gate closer with adjustable speed and final snap
- ✔ Specially designed arm for wall mounting while guaranteeing a big opening angle
- ✔ Scratch resistant and corrosion free anodised aluminium housing
- ✔ Aesthetic & compact design
- ✔ Integrated pretension for extra smooth installation
- ✔ Closing force over the full 180° opening angle
- ✔ Firmly fixed thanks to patented Quick-Fix system

Order code

VERTICLOSE-2-WALL- Powerful and all-round hydraulic gate closer for wall mounting



Recommended installation tools



LION-VTC-DRILL

DRILLWISE-II

DRILLWISE-IV