

Powerful all-round hydraulic gate closer for 90° and 180° hinges

VERTICLOSE-2- (Patented)



The Verticlose-2 gate closer is top-of-the-range within the Verticlose product series. It is extremely multifunctional and possesses excellent features, which makes Verticlose-2 a perfect fit for both 90° and 180° hinge situations. The integrated pre-tension and continuous adjustability of speed and final snap, combined with our Quick-fix mounting system, guarantee a quick and efficient installation. The aesthetic anodised aluminium gate closer with high-tech internal components ensures an exceptionally long life span. We highly recommend the Lion-VTC Drill for an even more efficient installation.



Color options

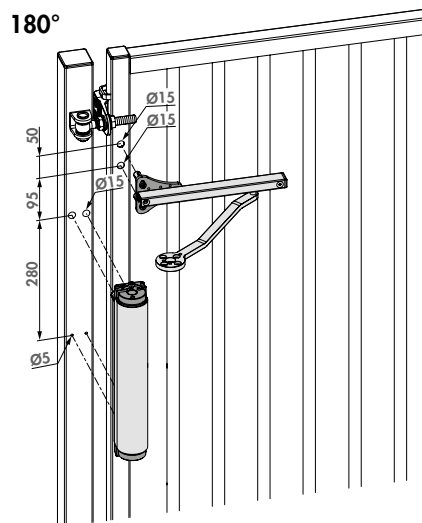
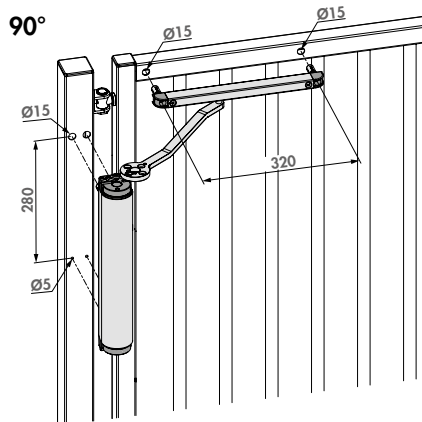
ZILV 9005

Specifications

- ✔ Micro adjustment of speed and final snap
- ✔ Railset included for 90° and 180° situations
- ✔ Scratch resistant and corrosion free anodised aluminium housing
- ✔ Aesthetic & compact design
- ✔ Integrated pretension for extra smooth installation
- ✔ Closing force over the full 180° opening angle
- ✔ Firmly fixed thanks to patented Quick-Fix system

Order code

VERTICLOSE-2- Powerful and all-round hydraulic gate closer for 90° and 180° hinges



Recommended installation tools



LION-VTC-DRILL

DRILLVISE-II

DRILLVISE-IV