

## Compact hinge and gate closer in one

TIGER (Patented)

180° self-closing hydraulic hinge with precise adjustments on speed and final snap. The aluminium powder coated housing and unique high-tech components allow the Tiger to function perfectly in any weather situation. We highly recommend the Tigerdrill for an even more efficient installation. The Puma hinge is included.



### Color options

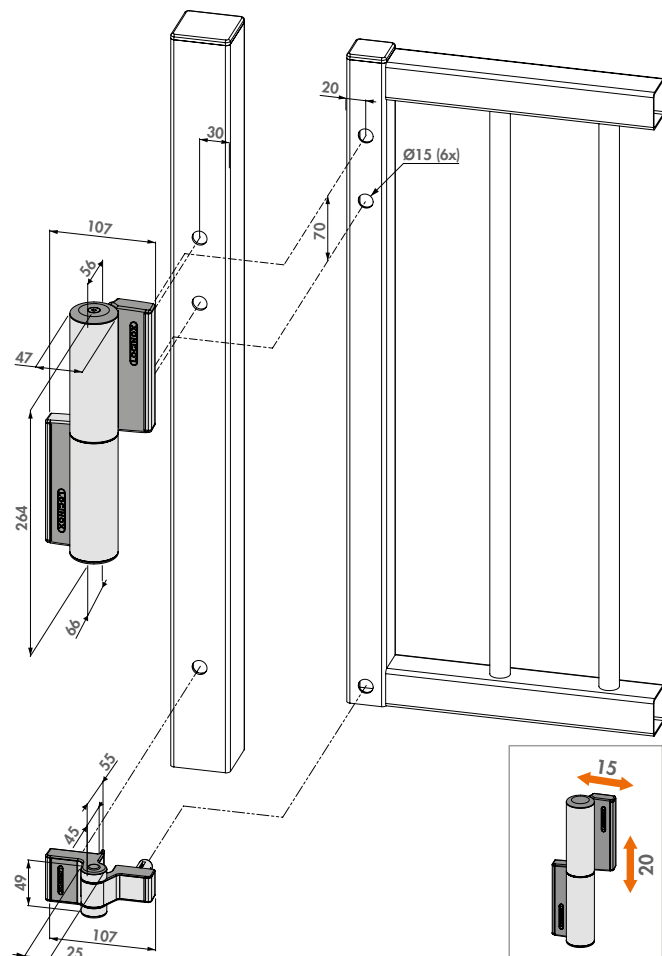
ZILV 9005

### Specifications

- ✔ Automatic 180° closure with adjustable closing speed and final snap
- ✔ Aesthetic design
- ✔ Powder coated aluminium housing
- ✔ Closing speed unaffected by humidity and temperature changes
- ✔ Vandal-proof
- ✔ For left and right turning gates
- ✔ Fast and easy fixing with Quick-Fix
- ✔ 15 mm horizontal adjustability
- ✔ 20 mm vertical adjustability
- ✔ Easy to open: Max. 14 Nm

### Order code

**TIGER** Hydraulic gate closer and Puma 180° hinge for gates up to 75 kg



### Recommended installation tools



TIGERDRILL

DRILLVISE-II

DRILLVISE-IV

CLB-TIGER