

NEW Highly powerful hydraulic 180° gate closer and hinge-in-one
MAMMOTH-HD- (Patented)



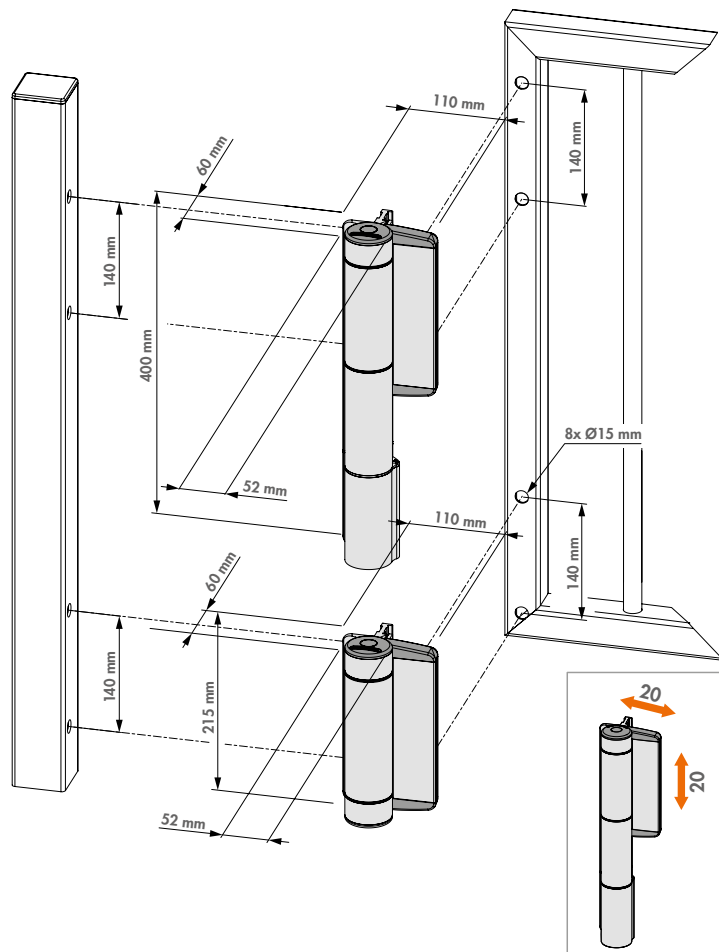
Color options

9005 ZILV

- ✔ 180° hydraulic gate closer with adjustable speed and final snap
- ✔ Aesthetic design
- ✔ Powder coated aluminium housing
- ✔ Closing speed unaffected by temperature changes
- ✔ Easy to open: Max. 30 Nm
- ✔ Vandal-proof
- ✔ For left & right turning gates
- ✔ Easy mounting with Quick-Fix

Order code

MAMMOTH-HD- Highly powerful hydraulic 180° gate closer and hinge-in-one, for gates up to 200 kg



Recommended installation tools



DRILLWISE-II

DRILLWISE-IV