

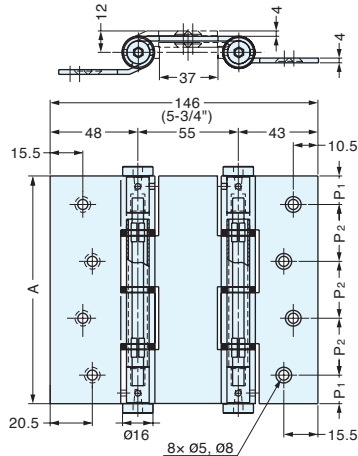
DOUBLE ACTION SPRING HINGE



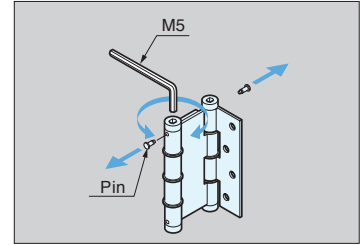
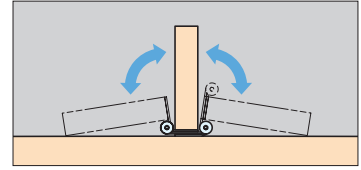
JDAW



JDAW-120-35A



- Spring loaded for self closing.
- Adjustable spring tension.



Spring Adjustment



Item No.	A	P ₁	P ₂	Door Thickness	Weight (g)	Box (pcs)	Carton (pcs)	Material	Finish
JDAW-120-35A	120 (4-3/4")	15	30	35 mm (1-3/8")	350	2	20	Aluminum	Anodized
JDAW-180-35A	180 (7-1/16")	22.5	45						

OTHER SPRING HINGES FOR SMALL DOORS AND CABINETRY



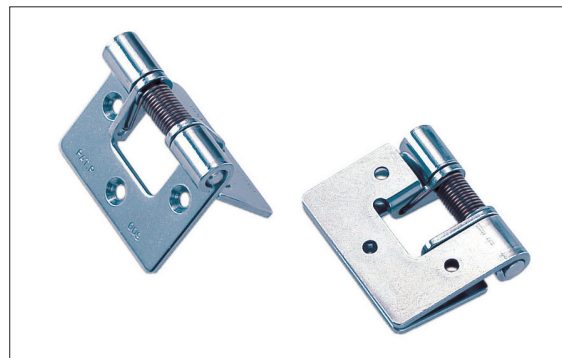
HG-SH P. 221



SH P. 221



HG-PV60AC P. 223



HG-BF3 P. 223