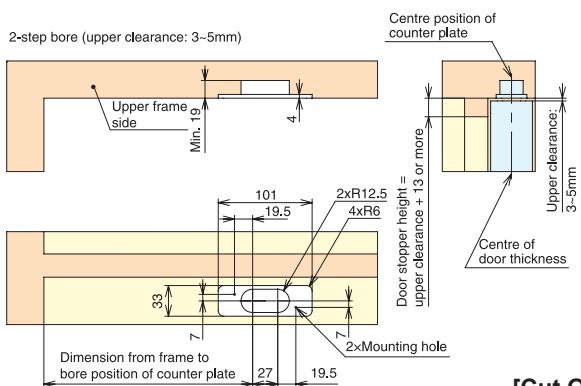
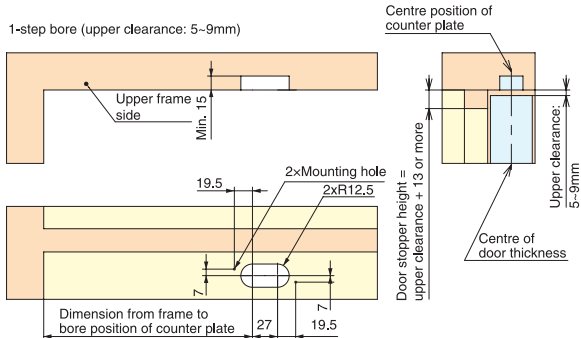


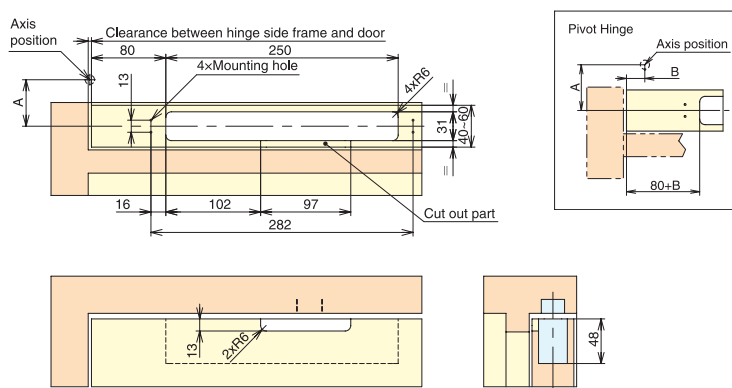
[Cut Out Dimensions for Frame]

LDD-V100-R (right-handed) shown. LDD-V100-L (left-handed) is symmetrical.



[Cut Out Dimensions for Door]

LDD-V100-R (right-handed) shown. LDD-V100-L (left-handed) is symmetrical.



Dimension from frame to bore position of counter plate (mm)

Door Hinge	Clearance Between Hinge Side Frame and Door (mm)					
	1	2	3	4	5	
HES3D-160, E190	217	218	219	220	221	
Butt Hinge	A=20~35	220	221	222	223	224
	A=35~50	223	224	225	226	227
Pivot Hinge	A=20~35	220+B	221+B	222+B	223+B	224+B
	A=35~50	223+B	224+B	225+B	226+B	227+B

If clearance between hinge side frame and door is beyond the range in the table above, calculate as per the table below.

Door Hinge	Dimension from Frame to Bore Position of Counter Plate (mm)	
HES3D-160, E190	216 + Clearance Between Hinge Side Frame and Door	
Butt Hinge	A=20~35	219 + Clearance Between Hinge Side Frame and Door
	A=35~50	222 + Clearance Between Hinge Side Frame and Door
Pivot Hinge	A=20~35	219 + B + Clearance Between Hinge Side Frame and Door
	A=35~50	222 + B + Clearance Between Hinge Side Frame and Door