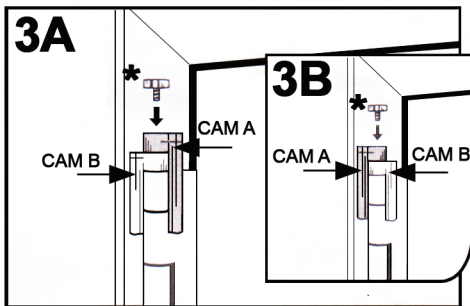
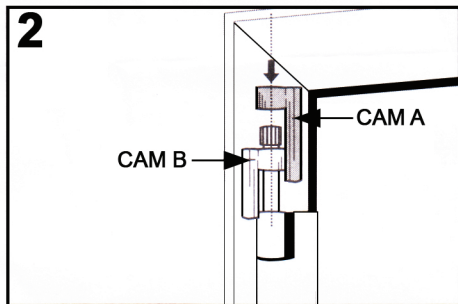
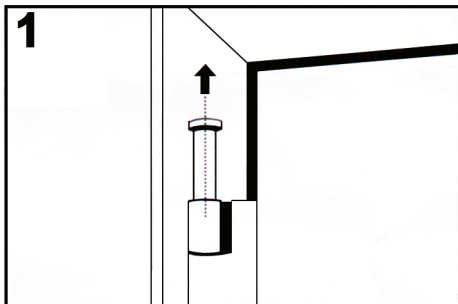


DOORSAVER II INSTALLATION INSTRUCTIONS

INSTRUCTION POUR INSTALLATION / INSTRUCCIONES PARA INSTALAR



- 1.** Remove old hinge pin.
Retirer le vieux pivot epingle.
Remueva la espiga de bisagra vieja.
- 2.** Drop in the DoorSaver II.
Laisser tomber la PorteEconomic II.
Ponga la DoorSaver II en la bisagra.
- 3.** Adjust top cam until door opens to desired angle. (Rotating top cam, as in figure 3b, provides additional settings.) Install optional screw cap*.