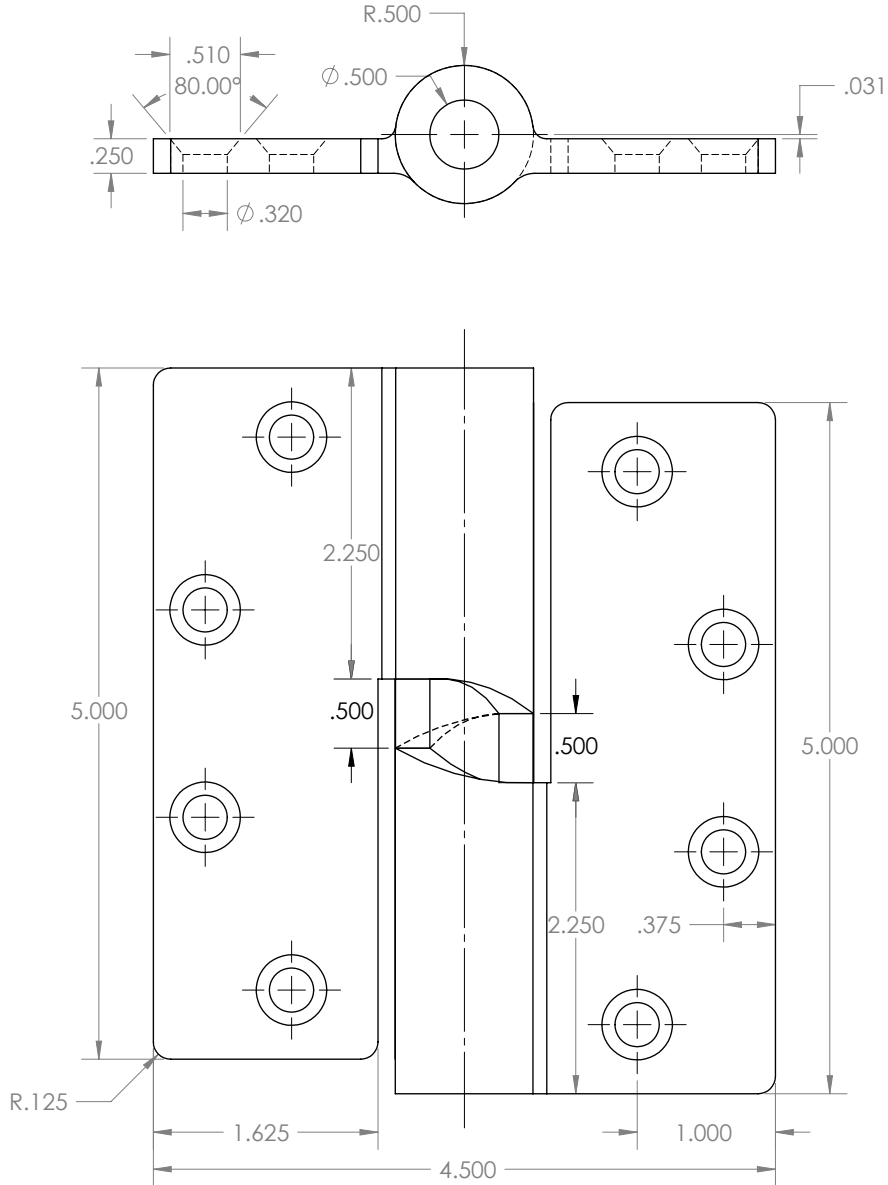




CAM LIFT HINGE

LE51
5" x 4.5"



NOTE:

- 1 screw pack includes all machine screws (24), and 1/2 wood screws (12). ATMS & AWS also available.
- Torx head screw pack available upon request at additional charge.
- Screw size: FHMS - 1/4-20 x 3/4"
FHWS - 12 x 1-1/2"
- All hinges are ANSI template.