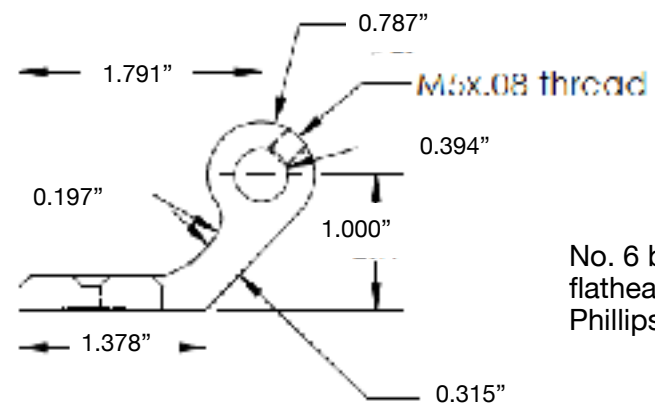
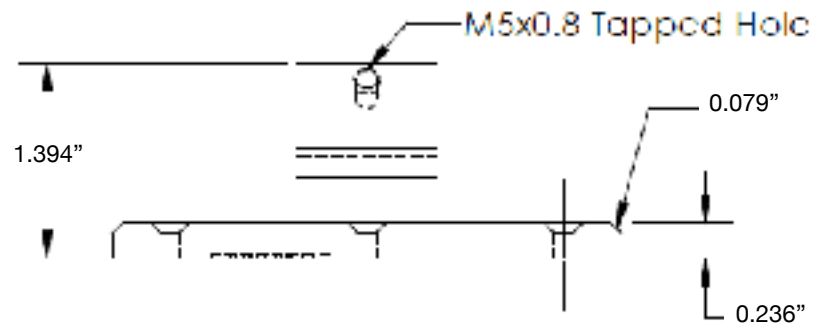
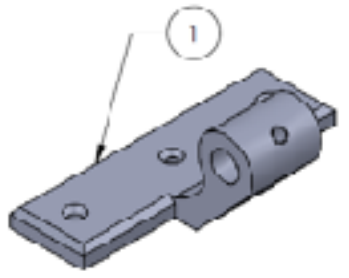
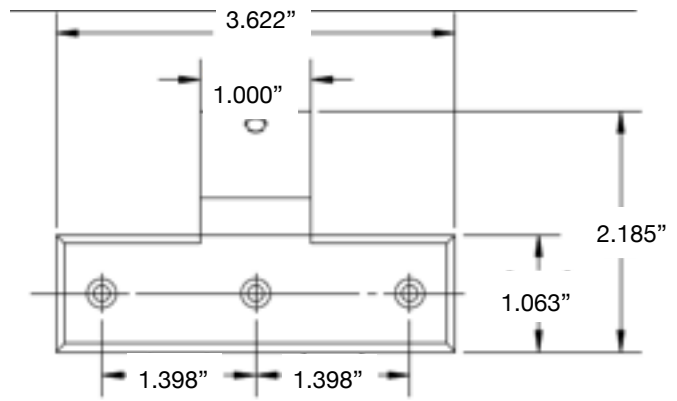
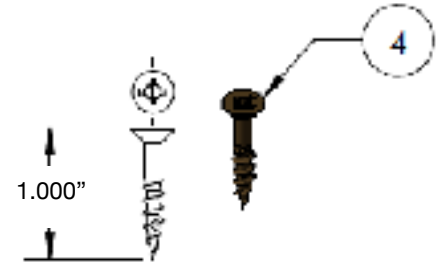
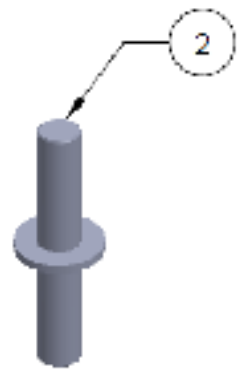
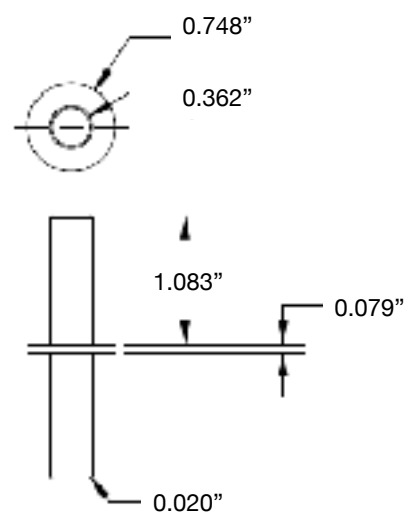


JWC
Pintel & Pin
88533



No. 6 by 1" screw with flathead. Black zinc. Phillips Head



NOTE:

1 Set		
Set No.	Name	Qty.
1	Pintel	1
2	Pin	1
3	M5 Gurb Screw Slotted	1
4	Screw	3