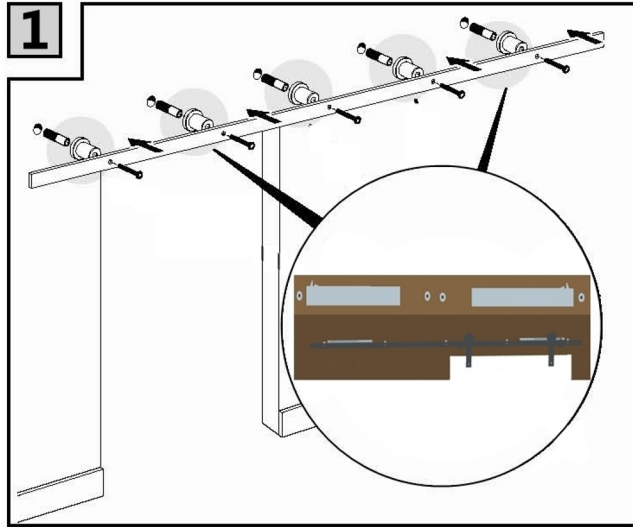
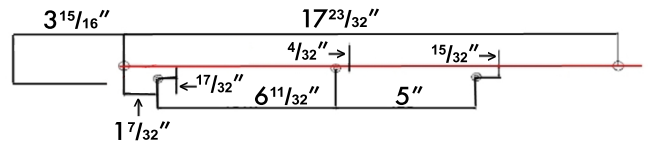


Installation Manual - Soft close

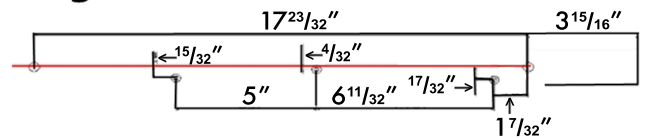
Bumper position



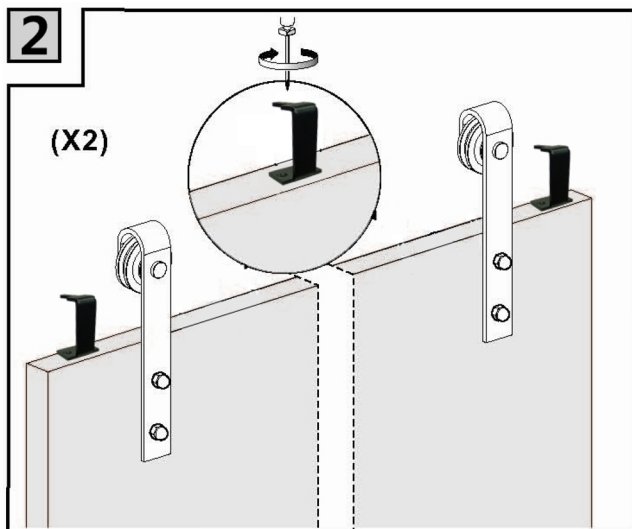
Left



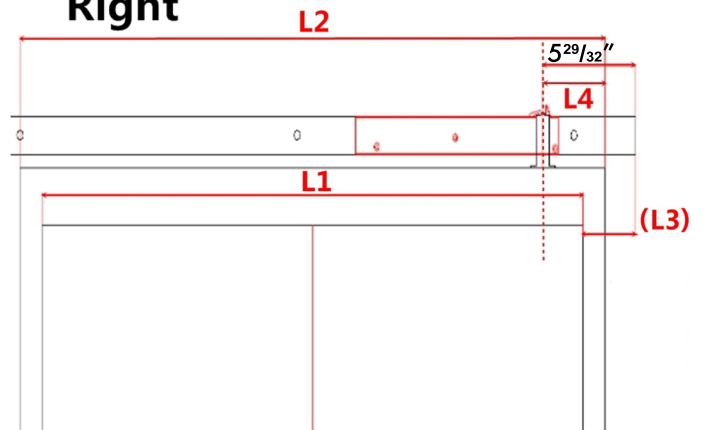
Right



Trigger position



Right



$L4 = 150 - L3 + (L2 - L1) / 2$ (same as left)

L1=width for door opening

L2=width for door

L3=distance from door end to rail end

L4=distance from door end to trigger