

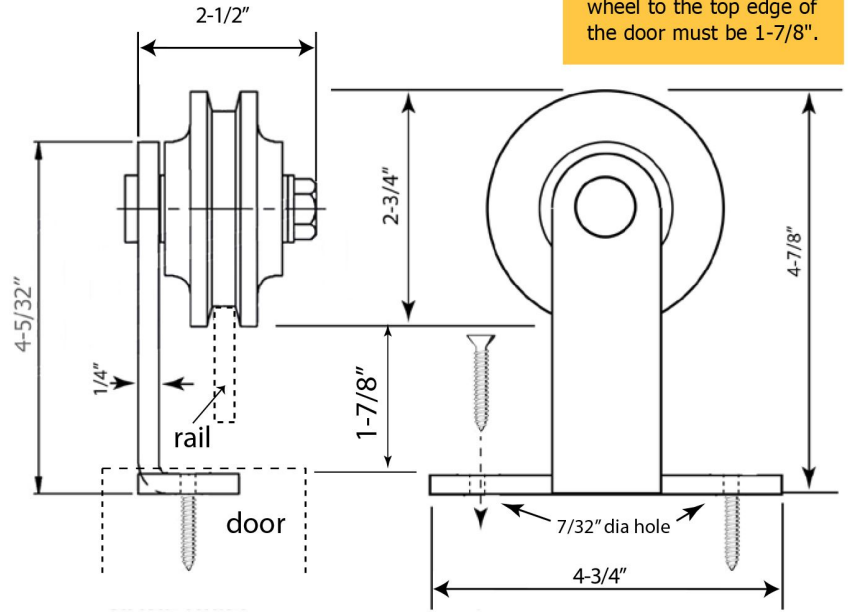
# Product Specifications: **BarnCraft™** Door Rollers

- 1) Nominal dimensions for our **6 Rolling door rollers** are shown here. These are hand-made products, and the dimensions may vary slightly.
- 2) All roller wheels are produced using a high durometer nylon and are considered "quiet-glide".
- 3) All roller fixtures are **powder coated steel**....1/4 inch nominal thickness...**black in color**.

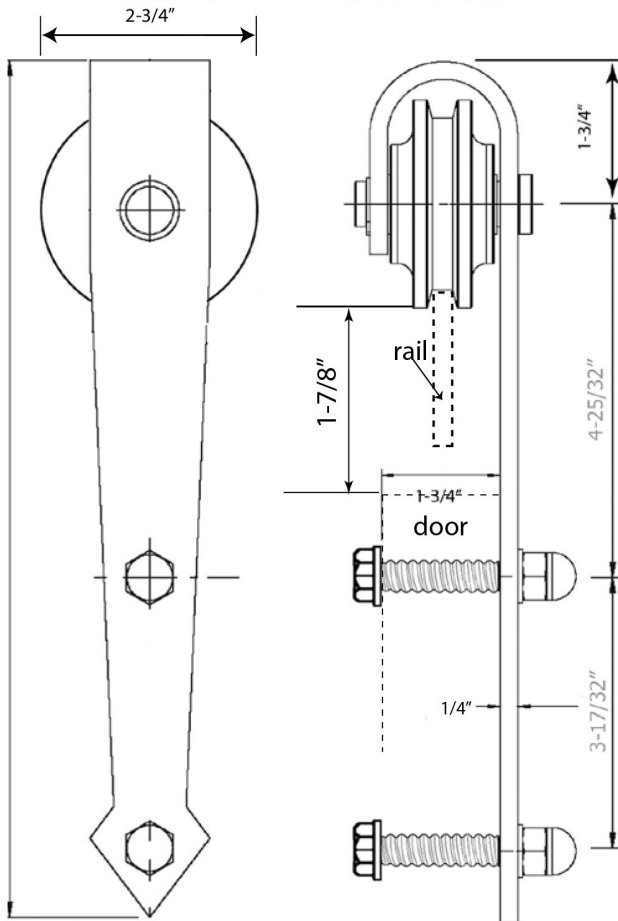
## Installation Note:

For correct installation of all five Roller Designs, the distance from the bottom of the roller wheel to the top edge of the door must be 1-7/8".

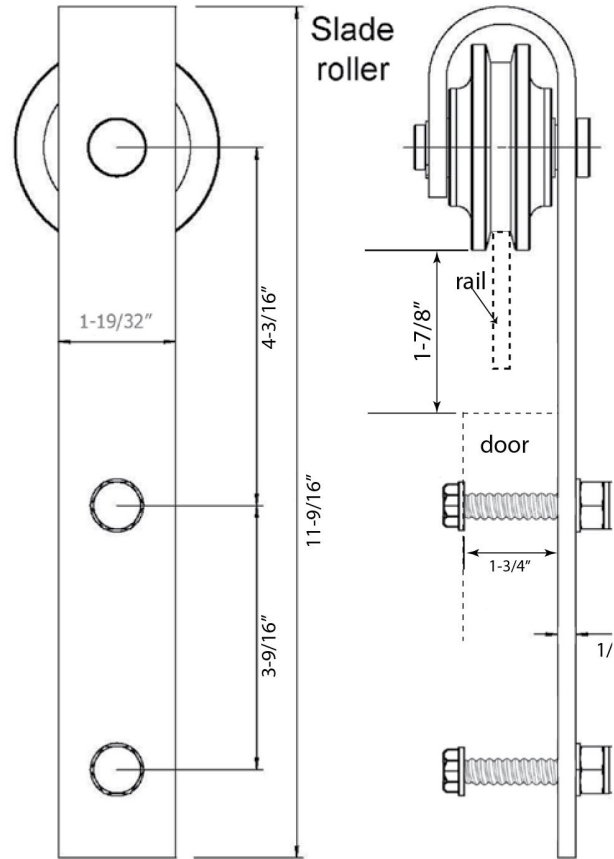
### Gage Door Rollers



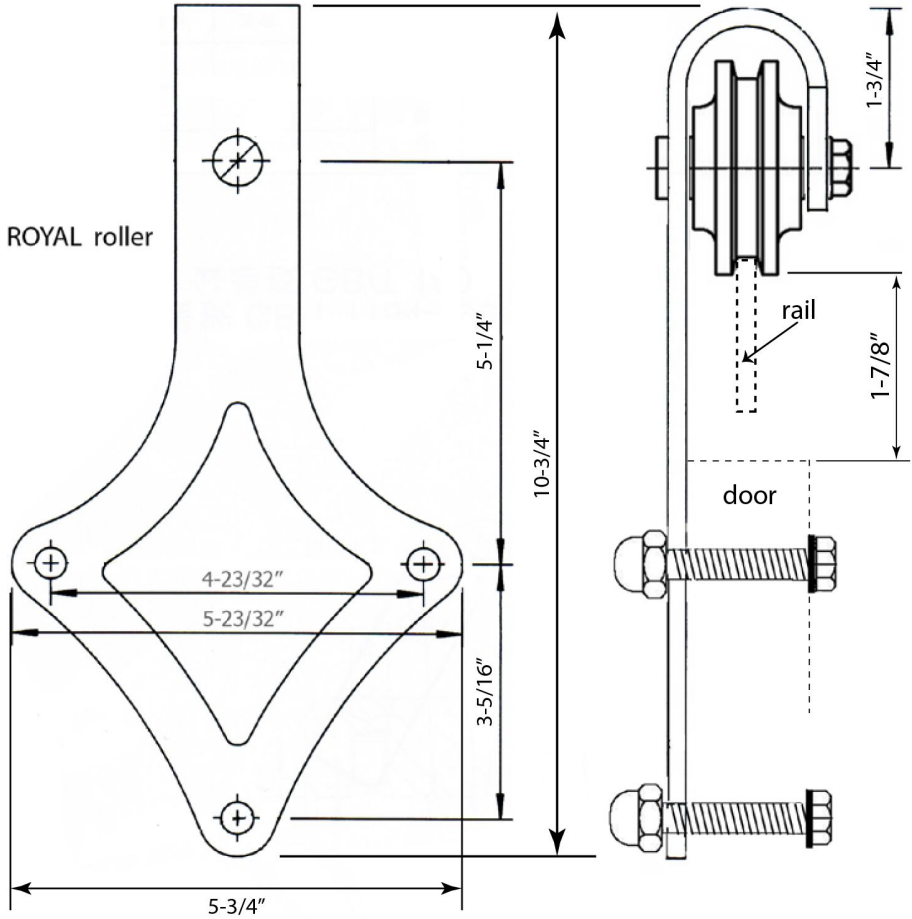
### Philmont Door Rollers



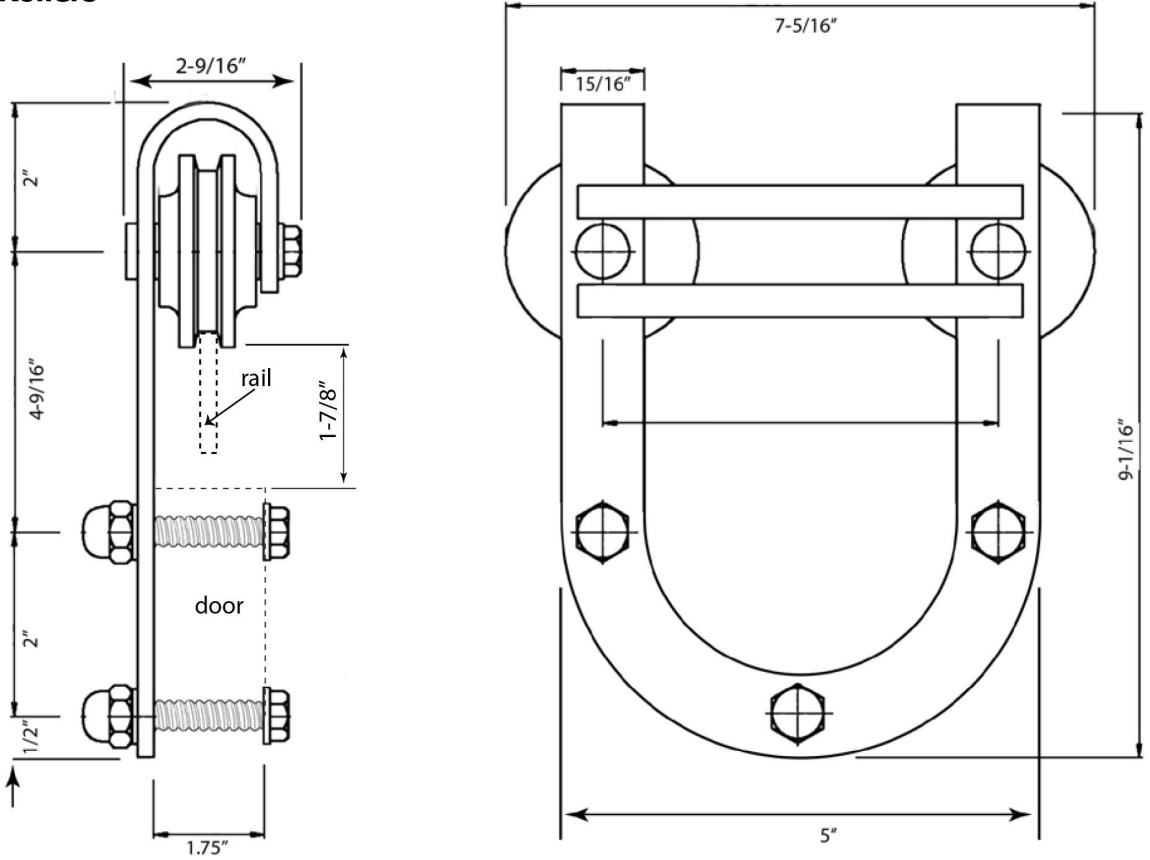
### Slade Door Rollers



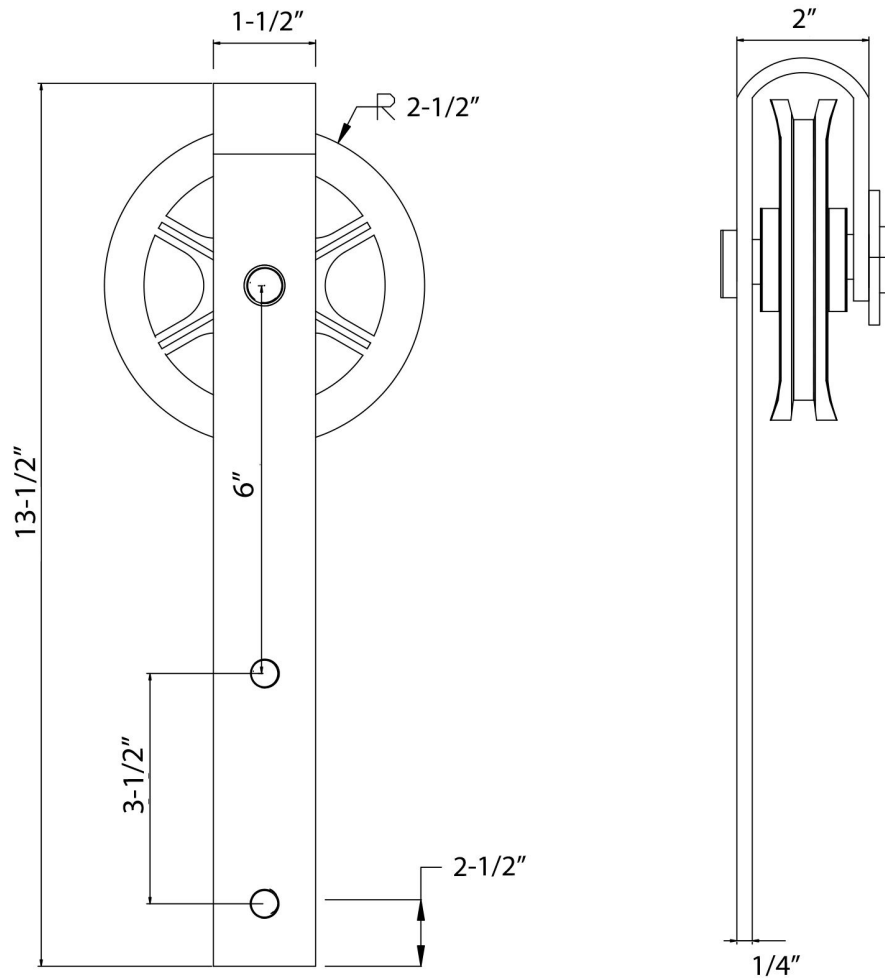
**Royal Door Rollers**



**Waggoner Door Rollers**



## Vintage Rollers



## Product Information & Pricing: **BarnCraft™ Hardware & Options**

**Rolling door hardware & options for the BarnCraft Door Series are included in our BarnCraft Rolling Doors & Hardware Catalog, and Price List, and have the following specifications\*:**

- 1) We offer 8 Rolling Door hardware kits. 6 options in black and 2 designs in stainless steel.
- 2) Each kit includes all necessary hardware for one single rolling door installation. Not included is wood door header and header fasteners.
- 3) Each kit is packed in at least 2 boxes.
- 4) Metal door handles may be "touched up" with any exterior grade metal paint, such as Rustoleum™ if needed.
- 5) Kits include the rolling door rail.
- 6) All rolling door hardware is black in color, except for 2 stainless steel options. Hardware may be painted by the end user if desired.

# BarnCraft Rolling Hardware



**GAGE**

79=17.95 lbs  
90= 19.40 lbs  
100=20.10 lbs



**GAGE-Stainless Steel**

79=17.95 lbs  
90= 19.40 lbs  
100=20.10 lbs



**SLADE**

79=17.95 lbs  
90= 19.40 lbs  
100=20.10 lbs



**SLADE-Stainless Steel**

79=17.95 lbs  
90= 19.40 lbs  
100=20.10 lbs



**WAGGONER**

79=17.95 lbs  
90= 19.40 lbs  
100=20.10 lbs



**ROYAL**

79=17.95 lbs  
90= 19.40 lbs  
100=20.10 lbs



**PHILMONT**

79=17.95 lbs  
90= 19.40 lbs  
100=20.10 lbs



**VINTAGE**

79=17.95 lbs  
90= 19.40 lbs  
100=20.10 lbs

**Steel Rails** are heavy-duty 1/4" (nominal) inch thick steel rails. Available in black, or stainless steel, and in 2 lengths depending upon the door width: 78-3/4" and 100". See page 2 for more information on these rail lengths.

\* All specifications, product designs and information listed are subject to change without prior notice. We are continually improving our products, and these improvements may cause us to change the specifications listed.

