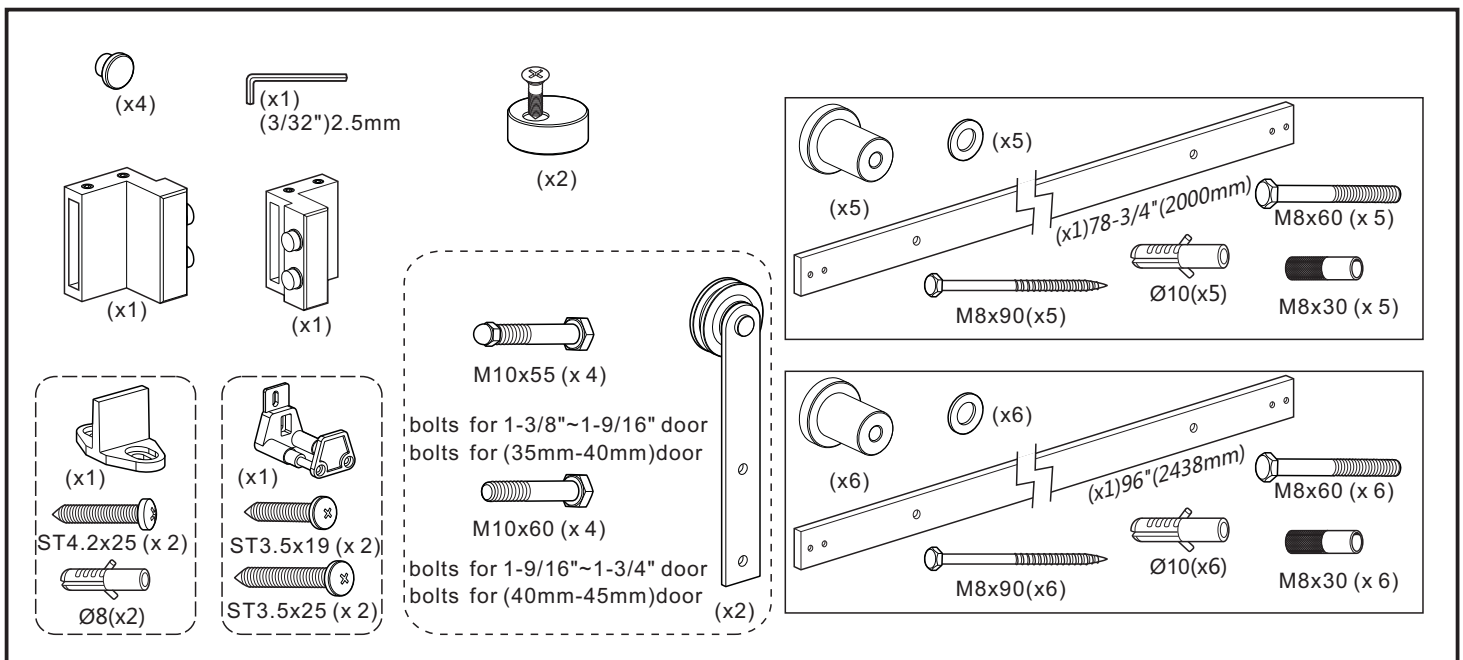
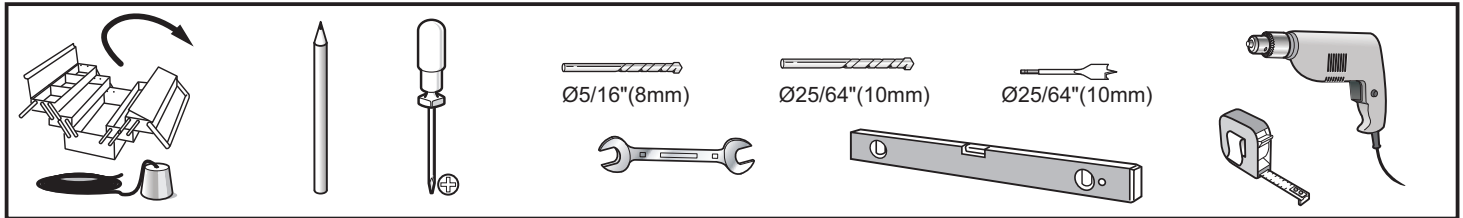
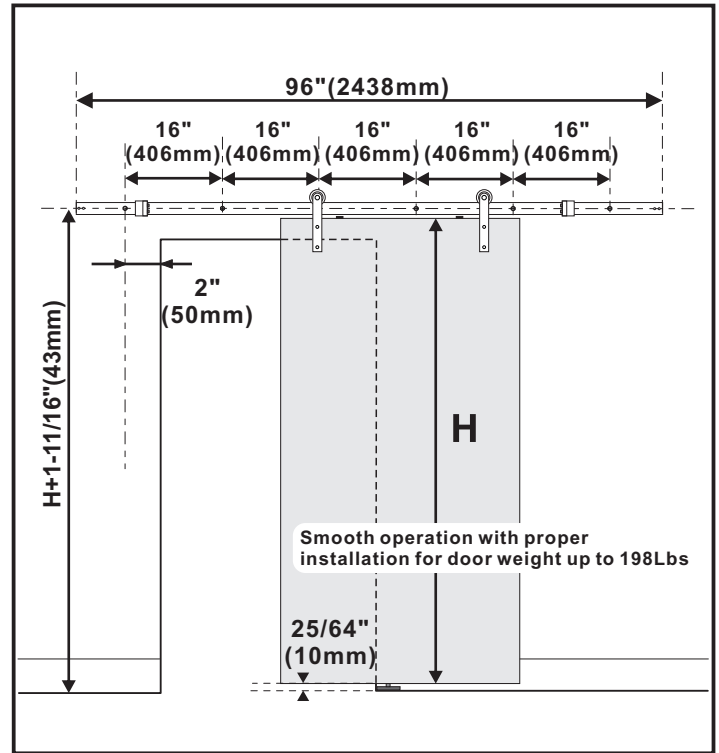
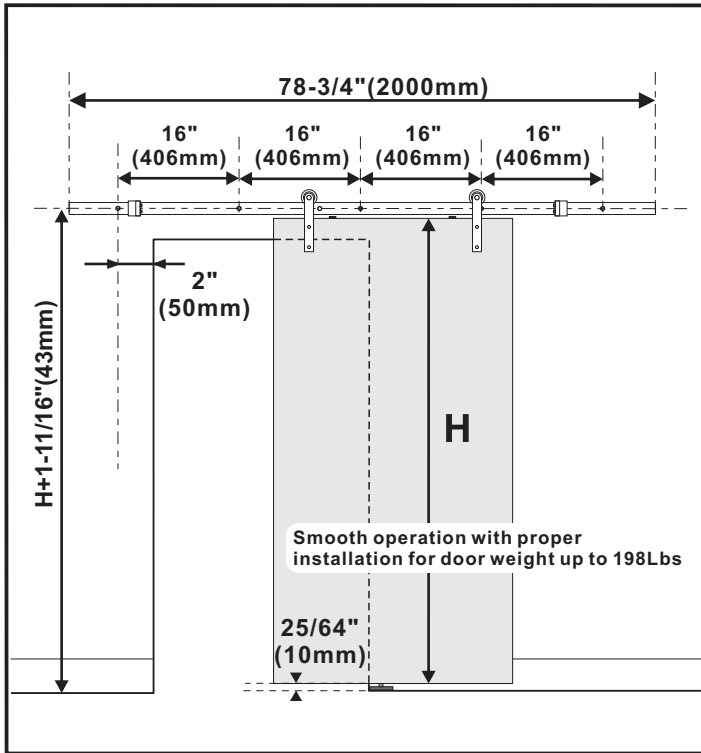
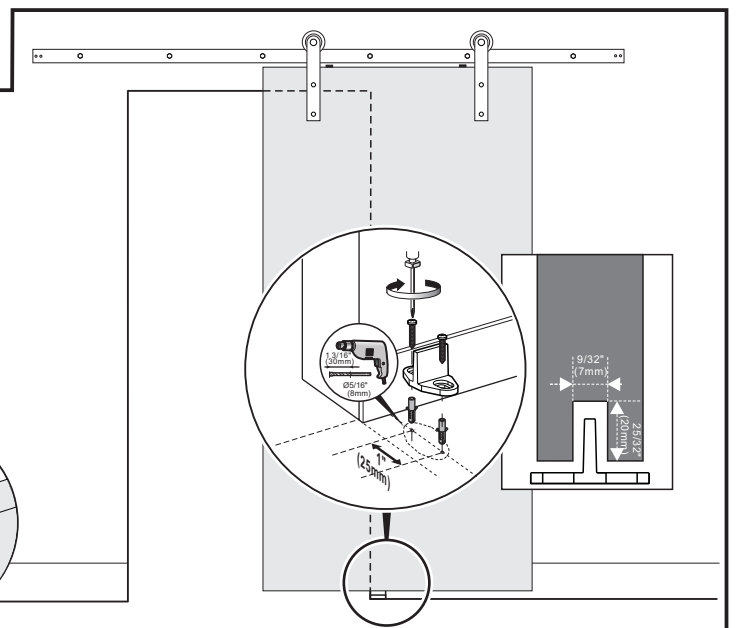
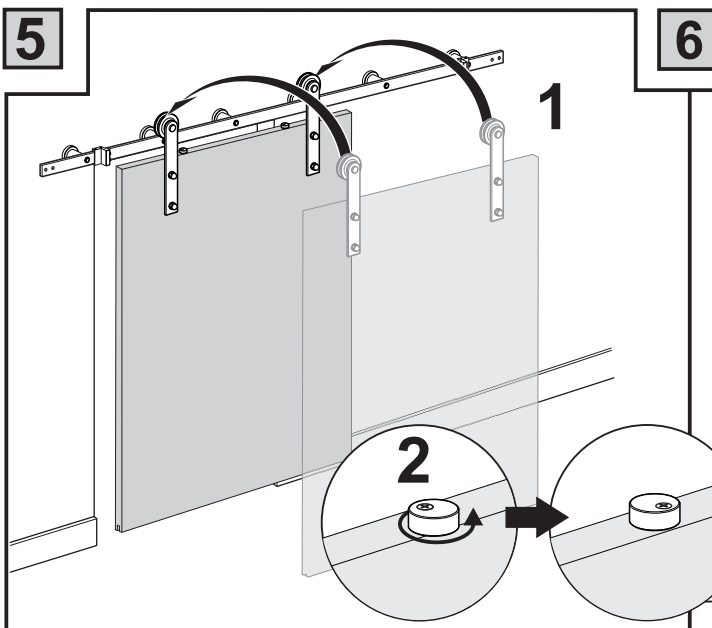
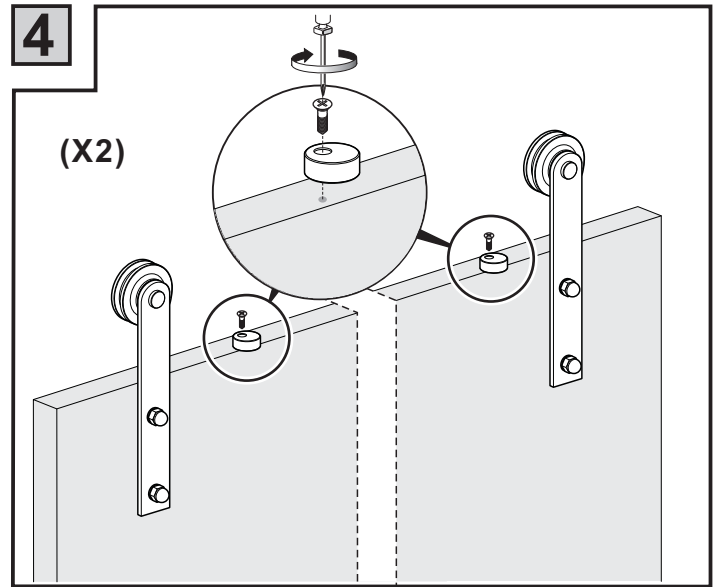
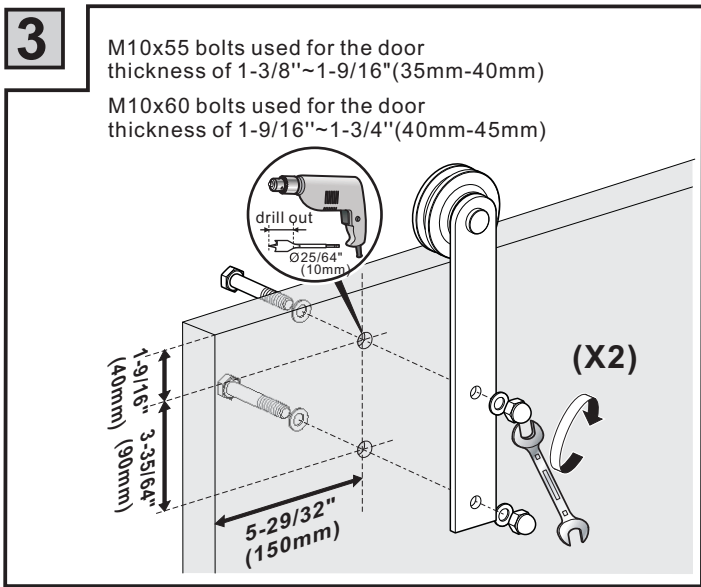
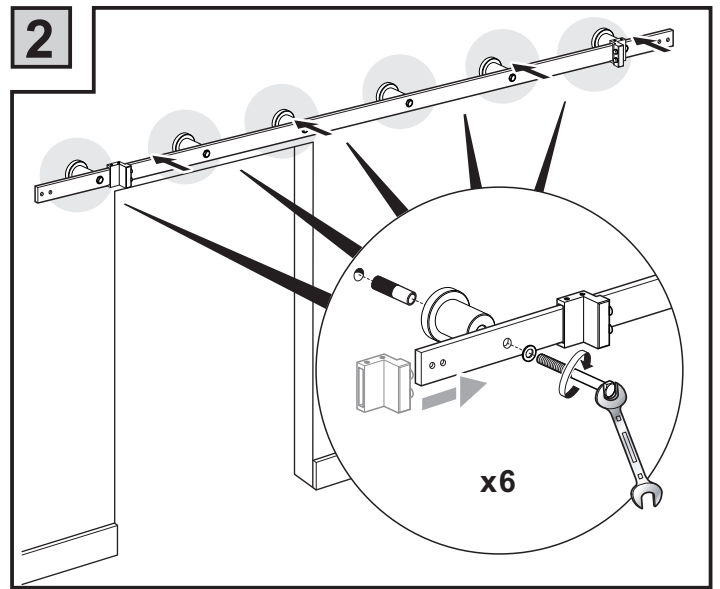
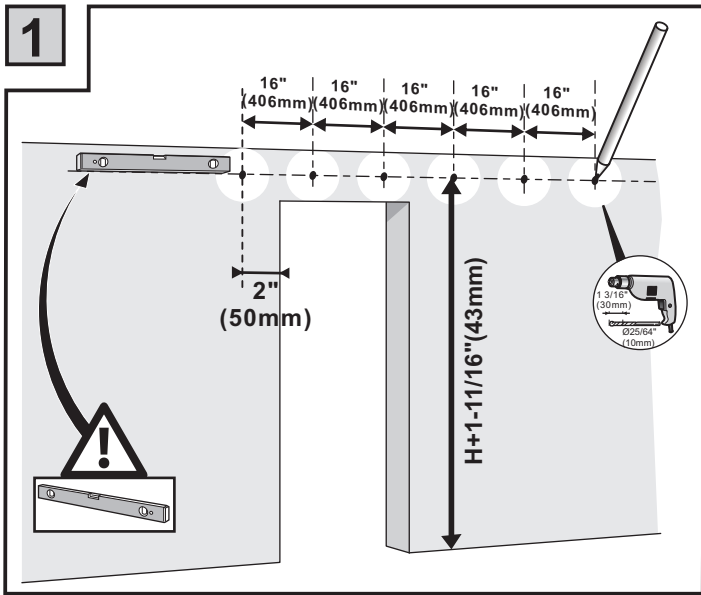
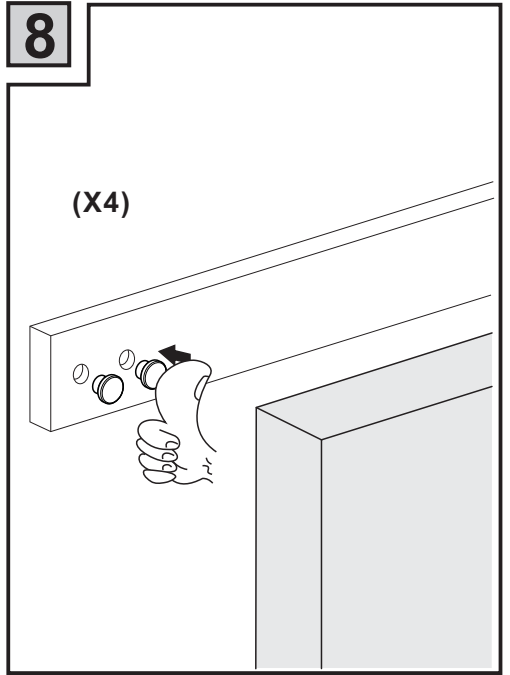
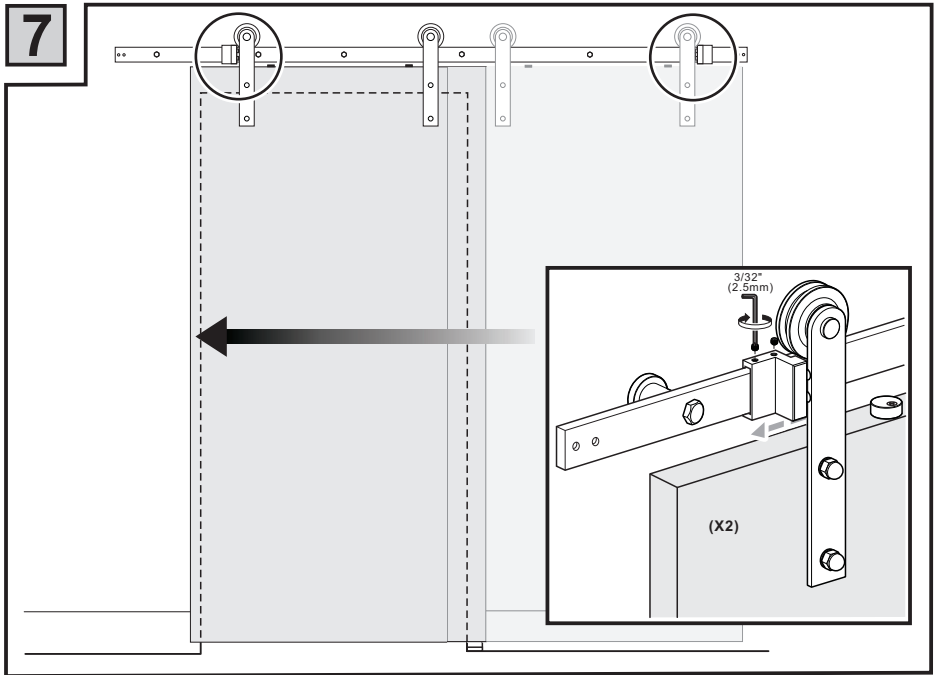


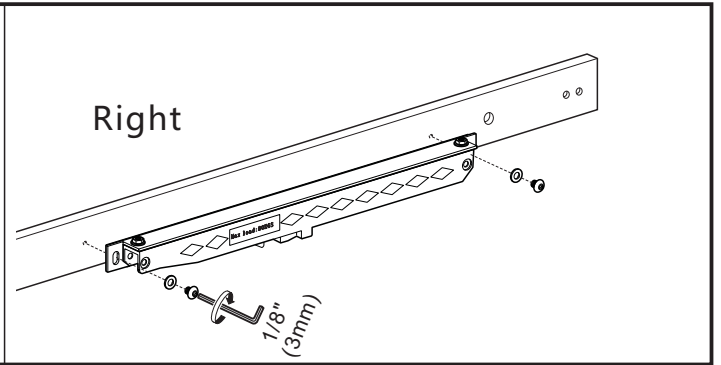
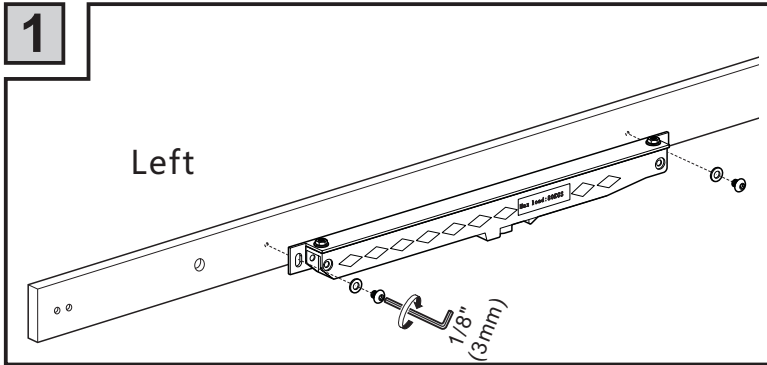
# Installation Manual







**Optional: Soft CloseKit mounting instruction**



**2**

1

2

(x2)

Install the two actuators on top of door panel based on door width.

Then adjust the screws to fit for the actuators