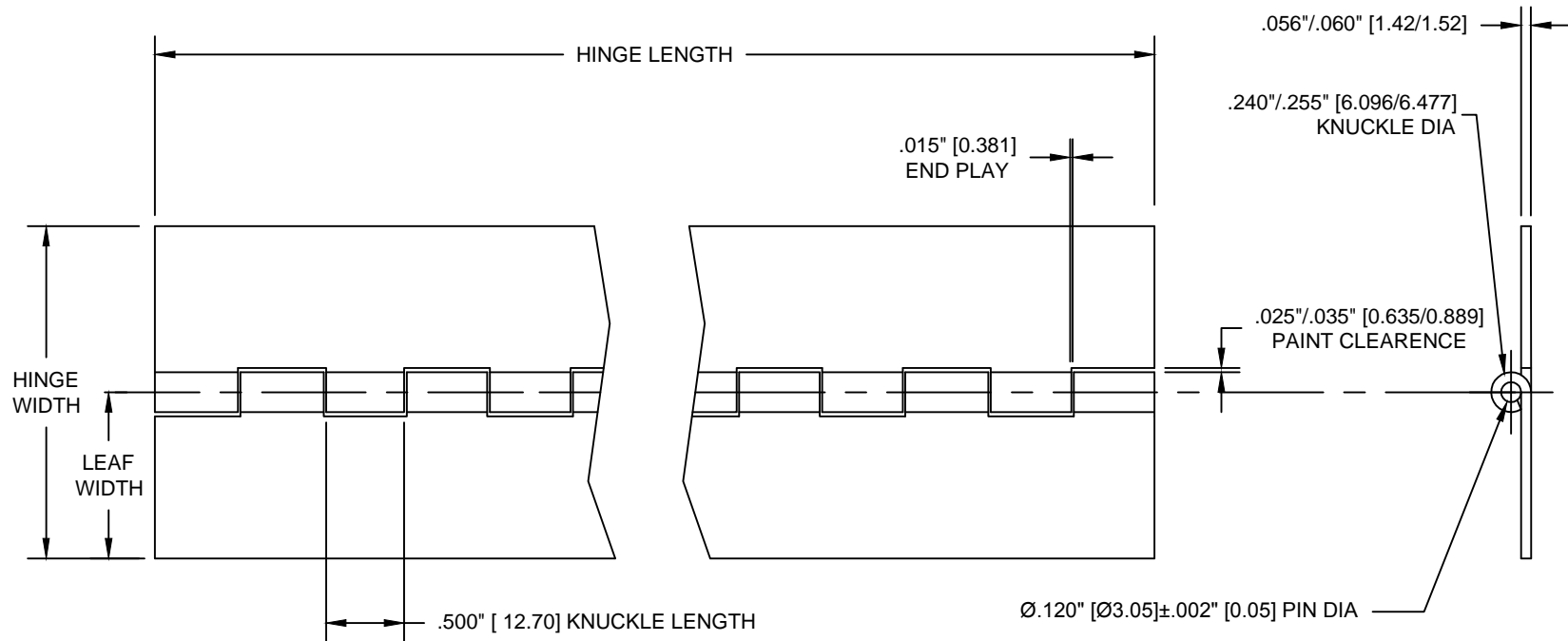


HINGE DRAWN BARREL UP



NOTES:

- 1] S&S Hinge series # 1150
- 2] Gauge/thickness - .056"/.060" [1.42 mm/1.52 mm].
- 3] Knuckle length - 1/2"/.500"/12.7 mm.
- 4] Pin diameter - .120"/3.05 mm.
- 5] Hinge rotates 270°.
- 6] See chart to the right for standard open widths.
- 7] Standard metals: steel, stainless and aluminum.

SERIES #:	HINGE WIDTH	LEAF WIDTH
1151	1.06" [26.93]	.531" [13.50]
1152	1.25" [31.75]	.625" [15.88]
1153	1.50" [38.10]	.750" [19.05]
1154	1.75" [44.45]	.875" [22.23]
1155	2.00" [50.80]	1.000" [25.40]
1157	2.50" [63.50]	1.250" [31.75]
1159	3.00" [76.20]	1.500" [38.10]
1161	3.50" [88.90]	1.750" [44.45]
1163	4.00" [101.60]	2.000" [50.80]



Continuous Hinge, Quality and Service Worldwide | Est. 1932

210 COVINGTON DRIVE
 BLOOMINGDALE, IL. 60108
 1-800-332-1227 TEL: (630) 582-9500 FAX: (630) 582-8844
www.SandSHinge.com

DRAWN BY: ENGINEERING DEPT.

DATE: CURRENT REVISION

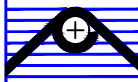
SCALE: N-T-S

PART No: 1150 SERIES

DIMENSIONS IN:
 INCHES MILLIMETERS
 S&S HINGE CO.
 STANDARD TOLERANCES

DEC	INCH	MM	THIRD ANGLE
.XX	± .030	± 0.750	
.XXX	± .015	± 0.380	
HOLE DIA	± .005	± 0.127	
ANGLE	± 3°		

THIS PRINT AND/OR SPECIFICATION ARE EXCLUSIVE PROPERTY OF S&S HINGE CO. AND ARE NOT TO BE REPRODUCED, COPIED, USED OR DISCLOSED TO ANYONE WITHOUT PERMISSION.



CUSTOMER:

REV	DATE:	DESCRIPTION