

# SLUSHTASTIC

cherry on top comes as standard 



## MODEL ST12X3

### Slush Machine

A high quality, triple bowl, table top slush machine

Slushtastic Slush Machines allow you to offer a wide range of products from iced coffees and teas, frappucino's, fruit flavoured drinks and much more.



#### PRODUCT INFO

12L x 3 Tank Slush Machine



#### POWER CONSUMPTION

1,020w



#### CAPACITY

3 x 9 Litre Mix Capacity



#### REFRIGERANT

R404a



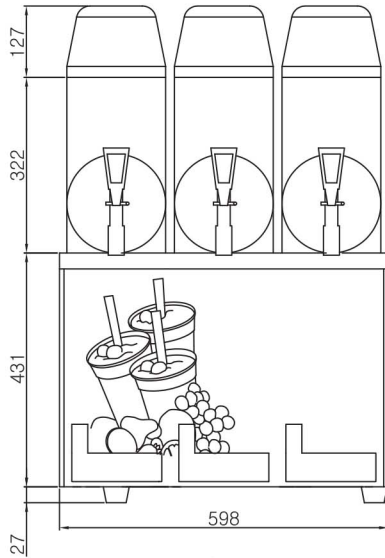
STANDBY



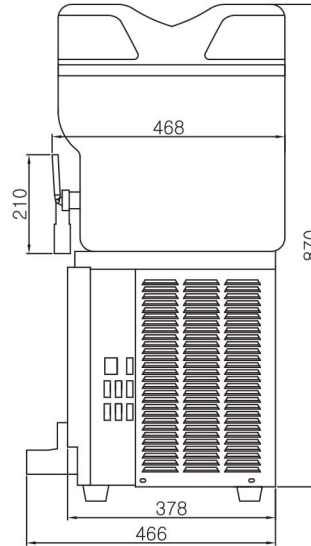
CONTROLS

## > MODEL ST12X3

### Technical information



Front Side View



Left Side View



#### WEIGHT

75 KG



#### SIZE

W-598mm D-468mm H-897mm



#### ELECTRICAL

standard 13amp



#### GEAR MOTOR

Three 67w



#### COMPRESSOR

3611 BTU



#### FREEZING LEVEL SCREW

1-4 Levels



#### AIR FILTER

Yes

## > SLUSH EXTRAS

With every machine order we offer a free starter package of **700** servings of slush syrup, cups, spoon-straws and promotion poster.

Frozen cocktails are becoming more popular in the UK. We stock a great range of flavours to ensure that you offer your customers only the **BEST**.

**PINA COLADO, MARGARITA, ENERGY AND STRAWBERRY DAIQUIRI**

**SLUSH TASTIC**

0800 053 5326

[sales@slushtastic.com](mailto:sales@slushtastic.com)

Slushtastic, Unit 12 Courtyard 3,  
Mapplewell, Barnsley, S75 6DT