



WMB3F/W - Lincat FilterFlow WMB Wall Mounted Automatic Fill Boiler - White Glass - W 300 mm - 3.0 kW

The FilterFlow Automatic Wall Mounted Water Boiler is designed for small spaces and provides hot water on tap 24/7 as well as a built-in water filtration system.

- ✓ Exceptionally compact wall mounted design, perfect for locations with limited space
- ✓ High quality boiling water on tap 24 hours a day
- ✓ Built-in water filtration system improves water quality and reduces scale build-up
- ✓ Dispense temperature can be reduced to 70°C, perfect for delicate speciality teas
- ✓ High volume, easy change FilterFlow cartridge
- ✓ Allows extra room underneath the tap for larger cups, teapots, jugs and airpots to be filled
- ✓ Advanced diagnostics with LCD panel showing boiler status
- ✓ Cool-to-touch 6mm thick toughened glass fascia to withstand hard knocks

Specifications

Summary		Power and Performance	
Brand	Lincat	Total Power kW	3.0
Range	FilterFlow	Temperature Range °C	70-96
Series	WMB Wall-mounted Boiler	IP Rating	IP23
Power Type	Electric	Hourly Output Litres	31
Unit Type	Wall-mounted	Hourly Output Cups	205
Available in UK Only	No		
UK Warranty	2 Years Parts and Labour Warranty		
Export Warranty	Contact your local dealer		
GTIN	5056105101413		

Key Specifications		Capacity	
Outlet	Single Tap	Hot and Cold Water Output	No
Dispense Lock	No	Rapid Draw Off Litres	3.5
WRAS Approved	No	Rapid Draw Off Cups	23
		Capacity Litres	3.5

Weights and Dimensions		Supply Connections	
Unit Height (External) mm	413	Requires Installation	Yes
Unit Width (External) mm	300	Requires Electrical Supply	Yes
Unit Depth (External) mm	184	UK 3 Pin Plug	No
Net Weight Kg	8.7	Requires Hardwiring	Yes
		Electrical Supply Rating Watts	3,000
		Single Phase Amps	13
		Single Phase Voltage	230
		Water Connection Pressure Bar	1.0-8.0
		Water Connection	3/4"

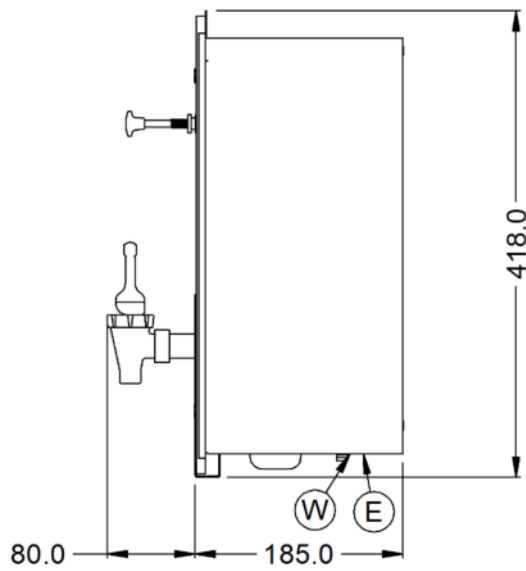
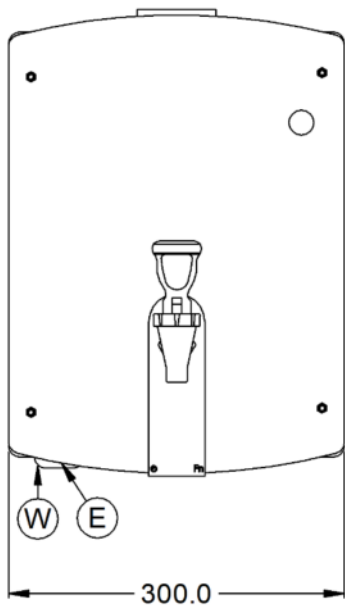
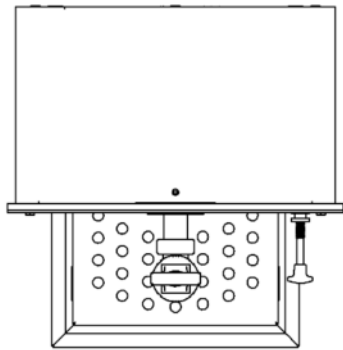
Shipping

Packed Weight Kg	9.57
Packed Height cm	42
Packed Width cm	48
Packed Depth cm	38

Available Accessories

DP10	Descaler Powder
DR72	Drip Tray for FilterFlow WMB3F & WMB5F
FC02	Filter Cartridge for Lincat FilterFlow Water Boiler

Technical Picture





Lincat Limited

Whisby Road,
Lincoln, LN6 3QZ,
United Kingdom

Company No: 2175448

A member company of



Customer Care

Tel: +44 1522 875500
Email: care@lincat.co.uk

Export Customers

Tel: +44 1522 875536
Email: export@lincat.co.uk

Opening Hours

Monday – Friday:
8.30am – 5pm