

MODEL T516-3

FROZEN CARBONATED SLUSH MACHINES



Extremely high output, triple flavour carbonated frozen slush machine.



CARBONATION

In-line Carbonation™ – creates a more consistent over-run, quality, and yield.



DIGITAL CONTROL AND DISPLAY

Electronic simplicity offers easy-to-use keypad interface.



FLEXIBLE PLACEMENT

Optimal use of counter space with minimum ventilation of two inches on the sides and back.



FLAVOUR OPTIONS

Customizable individual barrels allow for hundreds of different drink profile combinations, including sugar-free options.



LOW OPERATING COST

Highest output and most cost-effective carbonated beverage dispenser on the market.



FOOTFALL

Ideal for extremely high volume locations with limited space

OPTIONAL ACCESSORIES



Base Cart with Casters



Painted Sheet Metal



Install Kit



Leg Kit (set of four)



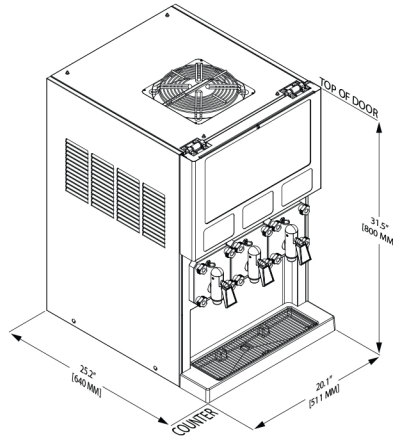
BIB Rack

THE INDUSTRY'S #1 MOST PROFITABLE AND TRUSTED CARBONATED SLUSH DISPENSERS

MAXIMISE YOUR PROFITS

MODEL T516-3

FROZEN CARBONATED SLUSH MACHINES



CAPACITY

Dispenser Type	Air-Cooled Remote Water-Cooled
Barrels	3x 176 oz
Clearance Requirements	Sides and Back: 3 in. (51 mm) Minimum. Top: 12 in. (305 mm) Minimum (from unit top panel)
Output Capacity	516 (10oz) cups /hr

WEIGHT

KG/LB

Empty Unit	163kg
------------	-------

DIMENSIONS

NET (IN/MM) SHIPPING (MM/IN)

Width	20.3in	NA
-------	--------	----

Depth	32.5 in	NA
-------	---------	----

Height:	short door 34in
	tall door 41.4in

ELECTRICAL

AMP VOLTS POWER(KW)

Single phase	16	NA	NA
--------------	----	----	----

WATER, CO2 AND SYRUP REQUIREMENTS

Water System Input	3/8" Sply Line, 30 PSIG Flow (min)
CO2 System Input	70 - 72 PSIG (maximum)
Syrup	Input: 70 - 72 PSIG (482-496 kPag) Bag-In-Box (BIB) Connections, (3) Base Syrups

FEATURES

- ✓ MANUFACTURED TO THE HIGHEST SPECS FOR RETAILERS WITH STEADY FOOT TRAFFIC WHO NEED TO GENERATE HIGH MARGINS WITH MINIMAL COUNTER SPACE
- ✓ SMALLEST FOOTPRINT IN THE INDUSTRY WITH ENOUGH CAPACITY TO ENSURE YOU HAVE PLENTY PRODUCT TO HANDLE THOSE BUSY TIMES.
- ✓ DESIGNED WITH INNOVATIONS TO ALLOW EASY ACCESSIBILITY TO MAXIMISE UPTIME.
- ✓ COMPETITIVELY PRICES TO ALLOW OWNERSHIP AND TRANSPARENCY OF COSTINGS
- ✓ PROFIT DRIVER IN ALL HOSPITALITY SECTORS INCLUDING LEISURE, EDUCATIONAL, CONVENIENCE, RETAIL, RESTAURANTS, COFFEE SHOPS, FAST FOOD, PUBS & BARS