

MODEL T384-1M

FROZEN CARBONATED SLUSH MACHINES

MULTI FLAVOUR AUTOMATIC MACHINE



Ultra-high output, multiple flavour carbonated frozen slush machine with four flavour shot spinner.



CARBONATION

Inline Carbonation™ – creates a more consistent over-run, quality, and yield.



DIGITAL CONTROL AND DISPLAY

Electronic simplicity offers easy-to-use keypad interface.



FLEXIBLE PLACEMENT

Optimal use of counter space with minimum ventilation of two inches on the sides and back.



FLAVOUR OPTIONS

Customizable individual barrels allow for hundreds of different drink profile combinations, including sugar-free options.



LOW OPERATING COST

Smallest and most cost-effective carbonated beverage dispenser on the market.



FOOTFALL

Ideal for extremely high volume locations with limited space

OPTIONAL ACCESSORIES



Base Cart with Casters



Painted Sheet Metal



Install Kit



Leg Kit (set of four)



BIB Rack

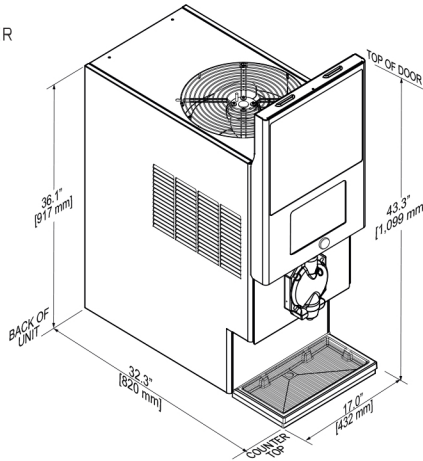
THE INDUSTRY'S #1 MOST PROFITABLE AND TRUSTED CARBONATED SLUSH DISPENSERS

MAXIMISE YOUR PROFITS

MODEL T384-1M

FROZEN CARBONATED SLUSH MACHINES

UNIT SHOWN WITH RISER



SPECIFICATIONS

Flavours	1x base flavour +4 flavours +15 drink options
Barrels	1x 184 oz
Clearance Requirements	Sides and Back: 2 in. (51 mm) Minimum. Top: 12 In. (305 mm) Minimum (from unit top panel)
Output Capacity	384 cups(10oz) /ph
*Will require to be plumbed into the water mains	

WEIGHT

Empty Unit	KG/LB	124 kg
------------	-------	--------

DIMENSIONS

	NET (IN/MM)	SHIPPING (MM/IN)
Width	17/432	NA
Depth	323/820	NA
Height:	36.1/917 w/ 2" Riser	
	3.3/1,099 w/ Merch Dr & 2" Riser	

ELECTRICAL

	AMP	VOLTS	POWER(KW)
Single phase	20	NA	NA

WATER, CO2 AND SYRUP REQUIREMENTS

Water System Input	3/8" supply Line, 30 PSIG Flow (min)
CO2 System Input	70 - 72 PSIG (maximum)
Syrup	Input: 70 - 72 PSIG (482-496 kPag) Bag-In-Box (BIB) Connections, (3) Base Syrups

FEATURES

- ✓ MANUFACTURED TO THE HIGHEST SPEC FOR RETAILERS WITH STEADY FOOT TRAFFIC WHO NEED TO GENERATE HIGH MARGINS WITH MINIMAL COUNTER SPACE
- ✓ SMALLEST FOOTPRINT IN THE INDUSTRY WITH ENOUGH CAPACITY TO ENSURE YOU HAVE PLENTY PRODUCT TO HANDLE THOSE BUSY TIMES.
- ✓ DESIGNED WITH INNOVATIONS TO ALLOW EASY ACCESSIBILITY TO MAXIMISE UPTIME.
- ✓ COMPETITIVELY PRICES TO ALLOW OWNERSHIP AND TRANSPARENCY OF COSTINGS
- ✓ PROFIT DRIVER IN ALL HOSPITALITY SECTORS INCLUDING LEISURE, EDUCATIONAL, CONVENIENCE, RETAIL, RESTAURANTS, COFFEE SHOPS, FAST FOOD, PUBS & BARS
- ✓ SUITABLE FOR ALCOHOL AND NON-ALCOHOLIC CARBONATED SLUSH DRINKS