



## M7F - Lincat FilterFlow MF Wall Mounted Automatic Fill Boiler - 7.5L Capacity - 3.0 kW

Easy to install with a 3 pin plug and just three screws, the M7F provides a high volume of filtered boiling water on tap 24/7.

- ✓ High quality boiling water on tap 24 hours a day
- ✓ Wall mounted, compact design
- ✓ Easy installation - UK 3 pin plug and three screws
- ✓ Built-in water filtration system improves water quality
- ✓ High volume, easy change FilterFlow cartridge
- ✓ Adjustable water temperature from 70°- 96°C
- ✓ Precise electronic temperature control system
- ✓ LCD information panel
- ✓ Enhanced multi-level diagnostics

### Specifications

Summary		Power and Performance	
<b>Brand</b>	Lincat	<b>Total Power kW</b>	3.0
<b>Range</b>	FilterFlow	<b>Temperature Range °C</b>	70-96
<b>Series</b>	MF Wall-mounted Boiler	<b>IP Rating</b>	IPX23
<b>Power Type</b>	Electric	<b>Hourly Output Litres</b>	28
<b>Unit Type</b>	Wall-mounted	<b>Hourly Output Cups</b>	140
<b>Available in UK Only</b>	No		
<b>UK Warranty</b>	2 Years Parts and Labour Warranty		
<b>Export Warranty</b>	Contact your local dealer		
<b>GTIN</b>	5056105117964		

Key Specifications		Capacity	
<b>Outlet</b>	Single Tap	<b>Hot and Cold Water Output</b>	No
<b>Dispense Lock</b>	No	<b>Rapid Draw Off Litres</b>	8.0
		<b>Rapid Draw Off Cups</b>	38
		<b>Capacity Litres</b>	8.0

Weights and Dimensions		Supply Connections	
<b>Unit Height (External) mm</b>	563	<b>Requires Installation</b>	No
<b>Unit Width (External) mm</b>	340	<b>Requires Electrical Supply</b>	Yes
<b>Unit Depth (External) mm</b>	269	<b>UK 3 Pin Plug</b>	Yes
<b>Net Weight Kg</b>	11.6	<b>Requires Hardwiring</b>	No
		<b>Electrical Supply Rating Watts</b>	3,000
		<b>Single Phase Amps</b>	13
		<b>Single Phase Voltage</b>	230
		<b>Water Connection Pressure Bar</b>	1.0-8.0
		<b>Water Connection</b>	3/4"

Shipping	
<b>Packed Weight Kg</b>	12.76
<b>Packed Height cm</b>	35
<b>Packed Width cm</b>	41
<b>Packed Depth cm</b>	63

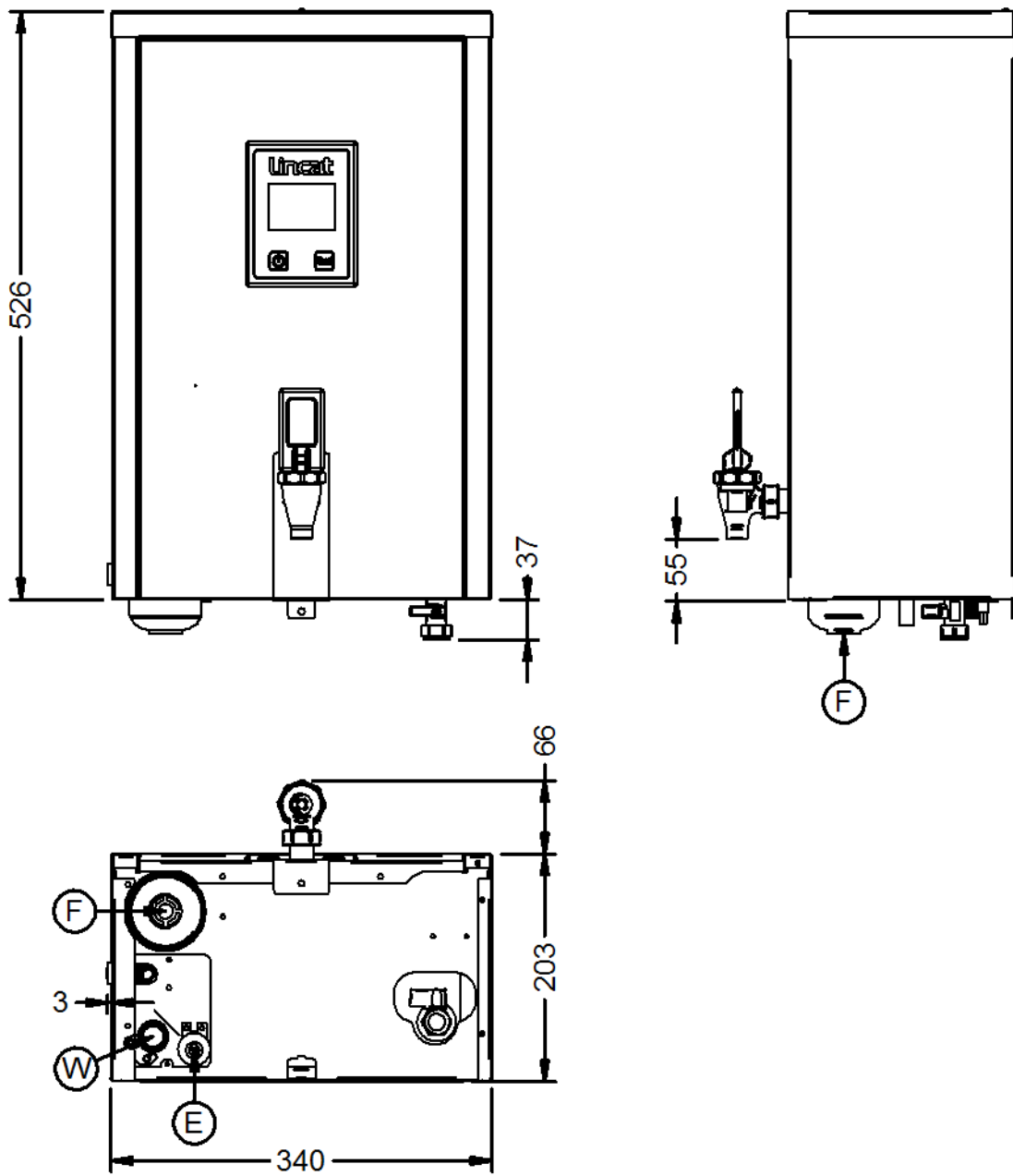
### Available Accessories

**DP10** Descaler Powder

Available Accessories

- DR95 Drip Tray for FilterFlow Wall Mounted Water Boilers - M5F and M7F
- FC04 Filter Cartridge for Lincat FilterFlow Water Boiler

Technical Picture





**Lincat Limited**

Whisby Road,  
Lincoln, LN6 3QZ,  
United Kingdom

**Company No:** 2175448

A member company of



**Customer Care**

**Tel:** +44 1522 875500  
**Email:** [care@lincat.co.uk](mailto:care@lincat.co.uk)

**Export Customers**

**Tel:** +44 1522 875536  
**Email:** [export@lincat.co.uk](mailto:export@lincat.co.uk)

**Opening Hours**

**Monday – Friday:**  
8.30am – 5pm