



LWB2 - Lincat Counter-top Manual Fill Water Boiler - W 300 mm - 3.0 kW

Whichever hot drink you're serving, do it with ease with this simple to use 9 Litre Lincat Manual Fill Water Boiler.

- ✓ Easy to use, simple fill, set the thermostat and have 9 litres of piping hot water ready to serve in 30 minutes
- ✓ High quality non-drip taps
- ✓ Ideal for providing a constant flow of boiling water for tea, coffee, hot chocolate and soup
- ✓ Simmerstat temperature control
- ✓ Ideal for either continuous use during the busiest periods or occasional use at quieter times
- ✓ Easy to descale and clean
- ✓ Convenient, portable access to piping hot water without the need for hardwiring or mains plumbing

Specifications

Summary

| | |
|-----------------------------|-----------------------------------|
| Brand | Lincat |
| Range | Specialist |
| Power Type | Electric |
| Unit Type | Counter-top |
| Available in UK Only | No |
| UK Warranty | 2 Years Parts and Labour Warranty |
| Export Warranty | Contact your local dealer |
| GTIN | 5056105101420 |

Power and Performance

| | |
|-----------------------------|------------|
| Total Power kW | 3.0 |
| Temperature Range °C | Up to 100 |
| IP Rating | IP23 |
| Hourly Output Litres | 31 |
| Hourly Output Cups | 155 |
| Temperature Control | Mechanical |

Key Specifications

| | |
|----------------------|------------|
| Outlet | Single Tap |
| Dispense Lock | No |

Capacity

| | |
|----------------------------------|-----|
| Hot and Cold Water Output | No |
| Rapid Draw Off Litres | 9.0 |
| Rapid Draw Off Cups | 45 |
| Capacity Litres | 9.0 |

Weights and Dimensions

| | |
|----------------------------------|-----|
| Unit Height (External) mm | 402 |
| Unit Width (External) mm | 300 |
| Unit Depth (External) mm | 300 |
| Net Weight Kg | 5.6 |

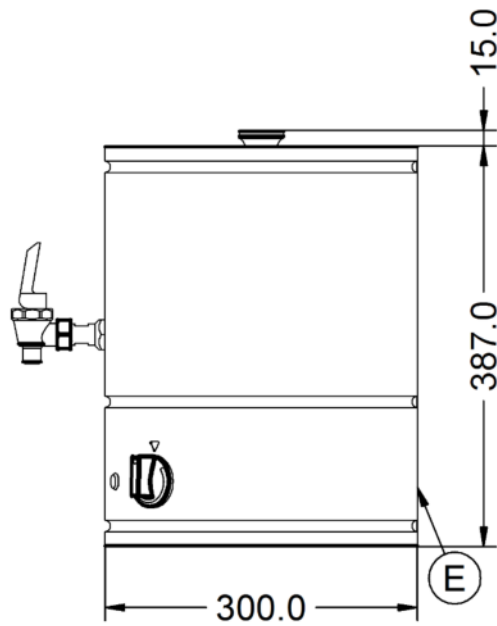
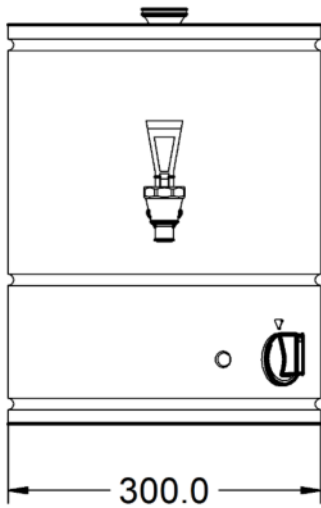
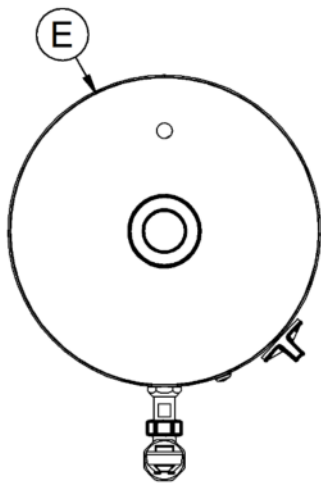
Supply Connections

| | |
|---------------------------------------|-------|
| Requires Installation | No |
| Requires Electrical Supply | Yes |
| UK 3 Pin Plug | Yes |
| Requires Hardwiring | No |
| Electrical Supply Rating Watts | 3,000 |
| Single Phase Amps | 13 |
| Single Phase Voltage | 230 |

Shipping

| | |
|-------------------------|------|
| Packed Weight Kg | 6.16 |
| Packed Height cm | 42 |
| Packed Width cm | 48 |
| Packed Depth cm | 38 |

Technical Picture



Lincat Limited

Whisby Road,
Lincoln, LN6 3QZ,
United Kingdom

Company No: 2175448

A member company of



Customer Care

Tel: +44 1522 875500
Email: care@lincat.co.uk

Export Customers

Tel: +44 1522 875536
Email: export@lincat.co.uk

Opening Hours

Monday – Friday:
8.30am – 5pm