



LRB2W - Lincat Lynx 400 Electric Counter-top Bain Marie - Wet Heat - inc. 2 x Round Pots - W 565 mm - 0.5 kW

Keep your sauces, soups and gravy at the ideal serving temperature with the Lynx 400 Wet Heat Bain Marie which comes with 2 x 4.5 litre round container and lids.

- ✔ Wet heat bain marie
- ✔ 2 x 4.5ltr round container with lids are included
- ✔ Ideal for holding foods for longer periods of time
- ✔ Plug and play for an easy installation

Specifications

Summary	Power and Performance
---------	-----------------------

<table border="0" style="width: 100%;"> <tr><td>Brand</td><td>Lincat</td></tr> <tr><td>Range</td><td>Lynx 400</td></tr> <tr><td>Power Type</td><td>Electric</td></tr> <tr><td>Unit Type</td><td>Counter-top</td></tr> <tr><td>Available in UK Only</td><td>No</td></tr> <tr><td>UK Warranty</td><td>2 Years Parts and Labour Warranty</td></tr> <tr><td>Export Warranty</td><td>Contact your local dealer</td></tr> <tr><td>GTIN</td><td>5056105101352</td></tr> </table>	Brand	Lincat	Range	Lynx 400	Power Type	Electric	Unit Type	Counter-top	Available in UK Only	No	UK Warranty	2 Years Parts and Labour Warranty	Export Warranty	Contact your local dealer	GTIN	5056105101352	<table border="0" style="width: 100%;"> <tr><td>Total Power kW</td><td>0.50</td></tr> <tr><td>IP Rating</td><td>IP23</td></tr> <tr><td>Temperature Control</td><td>Mechanical</td></tr> </table>	Total Power kW	0.50	IP Rating	IP23	Temperature Control	Mechanical
Brand	Lincat																						
Range	Lynx 400																						
Power Type	Electric																						
Unit Type	Counter-top																						
Available in UK Only	No																						
UK Warranty	2 Years Parts and Labour Warranty																						
Export Warranty	Contact your local dealer																						
GTIN	5056105101352																						
Total Power kW	0.50																						
IP Rating	IP23																						
Temperature Control	Mechanical																						

Key Specifications	Capacity
--------------------	----------

<table border="0" style="width: 100%;"> <tr><td>Pot Type</td><td>Round pot</td></tr> <tr><td>Type of Heat</td><td>Wet/Dry</td></tr> </table>	Pot Type	Round pot	Type of Heat	Wet/Dry	<table border="0" style="width: 100%;"> <tr><td>Capacity Litres</td><td>2 x 4.5</td></tr> </table>	Capacity Litres	2 x 4.5
Pot Type	Round pot						
Type of Heat	Wet/Dry						
Capacity Litres	2 x 4.5						

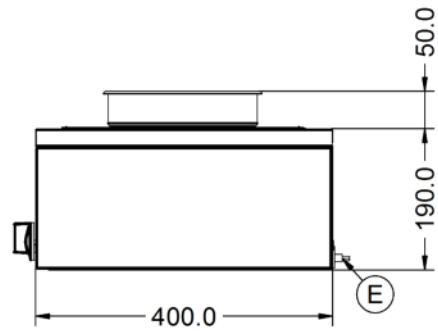
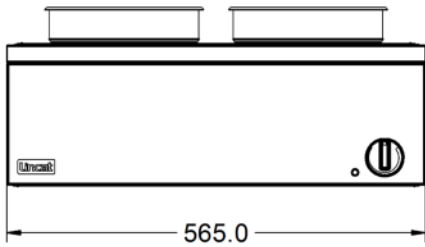
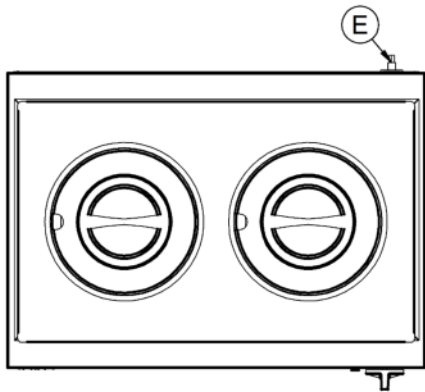
Weights and Dimensions	Supply Connections
------------------------	--------------------

<table border="0" style="width: 100%;"> <tr><td>Unit Height (External) mm</td><td>240</td></tr> <tr><td>Unit Width (External) mm</td><td>565</td></tr> <tr><td>Unit Depth (External) mm</td><td>400</td></tr> <tr><td>Net Weight Kg</td><td>13</td></tr> </table>	Unit Height (External) mm	240	Unit Width (External) mm	565	Unit Depth (External) mm	400	Net Weight Kg	13	<table border="0" style="width: 100%;"> <tr><td>Requires Installation</td><td>No</td></tr> <tr><td>Requires Electrical Supply</td><td>Yes</td></tr> <tr><td>UK 3 Pin Plug</td><td>Yes</td></tr> <tr><td>Requires Hardwiring</td><td>No</td></tr> <tr><td>Electrical Supply Rating Watts</td><td>500</td></tr> <tr><td>Single Phase Amps</td><td>2.2</td></tr> <tr><td>Single Phase Voltage</td><td>230</td></tr> </table>	Requires Installation	No	Requires Electrical Supply	Yes	UK 3 Pin Plug	Yes	Requires Hardwiring	No	Electrical Supply Rating Watts	500	Single Phase Amps	2.2	Single Phase Voltage	230
Unit Height (External) mm	240																						
Unit Width (External) mm	565																						
Unit Depth (External) mm	400																						
Net Weight Kg	13																						
Requires Installation	No																						
Requires Electrical Supply	Yes																						
UK 3 Pin Plug	Yes																						
Requires Hardwiring	No																						
Electrical Supply Rating Watts	500																						
Single Phase Amps	2.2																						
Single Phase Voltage	230																						

Shipping

<table border="0" style="width: 100%;"> <tr><td>Packed Weight Kg</td><td>14.3</td></tr> <tr><td>Packed Height cm</td><td>49.5</td></tr> <tr><td>Packed Width cm</td><td>70</td></tr> <tr><td>Packed Depth cm</td><td>55</td></tr> </table>	Packed Weight Kg	14.3	Packed Height cm	49.5	Packed Width cm	70	Packed Depth cm	55
Packed Weight Kg	14.3							
Packed Height cm	49.5							
Packed Width cm	70							
Packed Depth cm	55							

Technical Picture



Lincat Limited

Whisby Road,
Lincoln, LN6 3QZ,
United Kingdom

Company No: 2175448

A member company of



Customer Care

Tel: +44 1522 875500
Email: care@lincat.co.uk

Export Customers

Tel: +44 1522 875536
Email: export@lincat.co.uk

Opening Hours

Monday – Friday:
8.30am – 5pm