



## LFF - Lincat Lynx 400 Electric Counter-top Fish Fryer - Single Tank - 2 Baskets - W 360 mm - 3.0 kW

The 3kW Lynx 400 Large Single Tank Electric Counter Top Fryer is designed to plug in and play, which means that you'll be producing perfect fried chips in no time at all.

- ✓ Large single tank - ideally suited to free frying of battered or breaded products, especially fish
- ✓ Removable control head to aid easy cleaning and maintenance
- ✓ Thermostatically controlled to give better and more consistent cooking results
- ✓ Safety thermostat to prevent overheat
- ✓ Removable stainless steel tank and batter plate for easy cleaning
- ✓ Comes with batter plate to allow open frying
- ✓ Nickel plated baskets for easy cleaning
- ✓ Plug and play for an easy installation

### Specifications

#### Summary

<b>Brand</b>	Lincat
<b>Range</b>	Lynx 400
<b>Power Type</b>	Electric
<b>Unit Type</b>	Counter-top
<b>Available in UK Only</b>	No
<b>UK Warranty</b>	2 Years Parts and Labour Warranty
<b>Export Warranty</b>	Contact your local dealer
<b>GTIN</b>	5056105101048

#### Power and Performance

<b>Total Power kW</b>	3.0
<b>Temperature Range °C</b>	130-190
<b>IP Rating</b>	IP23
<b>Temperature Control</b>	Mechanical

#### Key Specifications

<b>Number of Baskets</b>	2
<b>Number of Tanks</b>	1
<b>Gravity Filtration</b>	No
<b>Pumped Filtration</b>	No

#### Capacity

<b>Product Output per Hour</b>	28 x 120g fish portions
<b>Capacity Litres</b>	5.0

#### Weights and Dimensions

<b>Unit Height (External) mm</b>	315
<b>Unit Width (External) mm</b>	360
<b>Unit Depth (External) mm</b>	417
<b>Net Weight Kg</b>	9.9

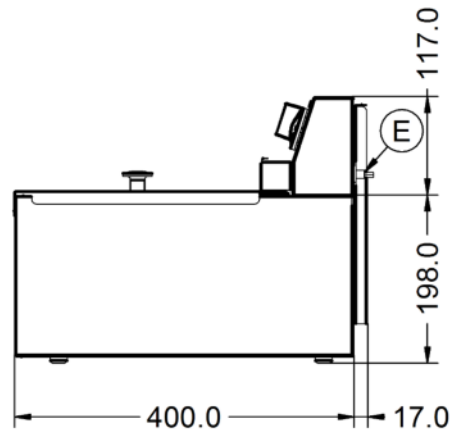
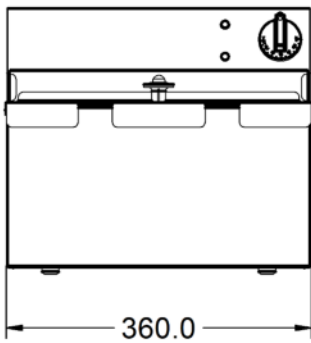
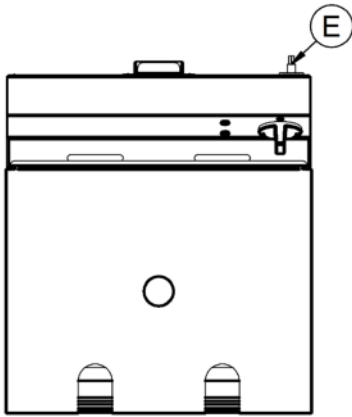
#### Supply Connections

<b>Requires Installation</b>	No
<b>Requires Electrical Supply</b>	Yes
<b>UK 3 Pin Plug</b>	Yes
<b>Requires Hardwiring</b>	No
<b>Electrical Supply Rating Watts</b>	3,000
<b>Single Phase Amps</b>	13.0
<b>Single Phase Voltage</b>	230

#### Shipping

<b>Packed Weight Kg</b>	10.89
<b>Packed Height cm</b>	42
<b>Packed Width cm</b>	48.5
<b>Packed Depth cm</b>	48.5

### Technical Picture



**Lincat Limited**

Whisby Road,  
Lincoln, LN6 3QZ,  
United Kingdom

**Company No:** 2175448

A member company of



**Customer Care**

**Tel:** +44 1522 875500  
**Email:** care@lincat.co.uk

**Export Customers**

**Tel:** +44 1522 875536  
**Email:** export@lincat.co.uk

**Opening Hours**

**Monday – Friday:**  
8.30am – 5pm