



Open Ice Water Hash Liners & Expandable Wash Liners

User Manual
Rev 1.1

Table of Contents

2

1. Introduction

- 1.1. Warranty
- 1.2. Technical Specifications
- 1.3. Product Types

2. Setup

- 2.1. Install for Hand Paddling
- 2.2. Expandable Liner Utilization
- 2.3. Install for Axis Trichome Separator

3. Utilization

- 3.1. Hand Paddling
- 3.2. Axis Trichome Separator
- 3.3. Draining, Rinsing & Refilling

4. Material Handling & Cleaning

1.2 Technical Specifications

3

Capacity (Per Load) & Available Sizes

20 Gallon: wash up to 2,500 fresh frozen grams (dowel not available with this product)

30 Gallon: wash up to 5,000 fresh frozen grams

44 Gallon: wash up to 10,000 fresh frozen grams (fits 32g Brute trash can)

65 Gallon: wash up to 15,000 fresh frozen grams

Materials and Construction

Filtration Mesh - 220 μ Nylon Standard Weave Type

Collar and Bound Seams - White Polypropylene Canvas

Draw Cord - Nylon Diamond Weave

Cord Lock - Molded Nylon Construction with Stainless Steel Spring

Lift Straps - Polypropylene Webbing. Rated up to a 200 lb. max load capacity for hoisting ice and wet flower safely and easily.

Dowel Rods - Acetal Dowel with Polyethylene Tubing Keepers (for Expandable Hash Wash Liner ONLY)

This product is intended for cold water gravity drain filtration at temperatures $\leq 50^{\circ}\text{F}$. The upper webbing straps and draw cord are for managing / transporting the filtered waste and should not make contact with the final material being captured during normal operation of the filter bag. PurePressure declares that the filter mesh from which we manufacture our filtration products comply with the FDA Code of Federal Regulation for materials. See our Declaration of Compliance for a full description.

1.1 Warranty

4

PurePressure's soft goods are built to last with proper care. We want you to be satisfied with your product so if there are ever any concerns, please do not hesitate to contact us. PurePressure guarantees the following warranty coverage for the Open Ice Water Hash Washing Liners from the time of purchase.

- 45 day limited warranty against manufacturing defects. This includes: fraying materials, damaged seams and/or mis sewn product.
- 30 day limited warranty against filtration mesh defects.

Warranty Replacements: In event of an approved warranty replacement or service, PurePressure will supply an equivalent product to cover the claim. Shipping costs may be covered by PurePressure at its discretion.

Exclusions: Warranty coverage eligibility will be determined by PurePressure and at PurePressure's sole discretion.

PurePressure's warranty obligations do not include (i) reasonable wear and tear; (ii) use of soft good not meant for the intended use; (iii) damage caused by misuse (iv) vandalism, negligence, misuse or Force Majeure Events. This warranty is eligible for the original purchaser only and is not transferable.

Disclaimer: Except as expressly set forth in this Limited Warranty and to the greatest extent allowed by law, PurePressure makes no other representations, warranties or conditions, express or implied, including any implied representations, warranties or conditions of merchantability, fitness for a particular purpose, non-infringement, and non-interference.

Warranty Procedures: Please contact us with detailed information regarding the issue you are experiencing so that we can get you operational as soon as possible. If you are experiencing a problem and are outside of the warranty period, we will do everything in our power to get you affordable solutions in a timely manner. Please send all warranty and replacement part related inquiries to support@gopurepressure.com. All returned parts must be accompanied by an RMA number, which we will supply.

1.3 Product Types

5

- **Open Ice Water Hash Liner** - The seam bound construction and shape of the liner is intentional. It is meant to be staged and utilized with the methods outlined in [Section 3.1](#). There are 4 sizes available with this product type (20 gallon, 30 gallon, 44 gallon & 65 gallon). This product is for manual labor processing (i.e. hand paddling) and not meant to be used with the Axis Trichome Separator.
- **Expandable Hash Wash Liner** - These expandable hash wash liners are similar to our standard liners, but have a hoop-shaped dowel at the top and bottom to hold a cylindrical shape to the flexible mesh wall of the liner. This feature is critical to prevent entanglement of the liner with the Axis paddle during the automated wash cycle ([Section 3.2](#)). These can also be used for hand paddling. There are 3 sizes available to match the vessels that can be used with the Axis machine (30 gallon, 44 gallon, & 65 gallon). Not available in 20 gallon.



Open Ice Water Hash
Washing Liner



Expandable Hash
Wash Liner

2.1 Installing for Hand Paddling

6

Open Ice Water Hash Wash Liner Installation

1. Make sure your false bottom is installed first. This leaves a collection area for the trichomes to settle.
 2. Drop the liner in the vessel making sure the handles are on the outside of the bag. This orients the liner properly for filtration and lifting.
 3. The white canvas material at the top of the filtration liner is referred to as the PolyPro Collar. Fold the top Poly Pro canvas collar around the rim of the vessel.
 4. Spread the base of the liner open inside the vessel.
 5. The liner is meant to sit on the false bottom with material, ice and water for the entire wash process. The white polypro canvas is meant to wrap around the rim of the vessel. This helps avoid damage to the filtration mesh.
 6. Cinch the wash liner cord locks on the outside of the vessel to hold the liner in place.
- ONLY USE THE CORRECT SIZED LINER WITH THE MATCHING VESSEL, OTHERWISE ENTANGLEMENT AND DAMAGE COULD OCCUR DURING PROCESSING.



Cord Lock

Draw Cord



PolyPro Collar wraps vessel rim



2.2 Expandable Liner Utilization

8

Utilization - One Dowel vs. Two

There are 2 food grade dowels of equal length included with each liner, which will need to be installed, as they are not inserted prior to shipping to avoid damage. The worst case scenario during a wash is that the wash liner tears, and the material has to be reclaimed into a new liner, costing the operator time and likely loss in yield. There are pros and cons to using 1 versus 2 dowels. With both dowels inserted into the liner, the operator decreases the likelihood of improperly installing the wash liner into the vessel. In an unlikely scenario, an improperly installed liner can snag and tear on the paddle during the wash. On the other hand, using both dowels can be cumbersome during the rinsing process after draining a vessel. You may find that you are fighting the upper dowel while trying to access the vessel walls during spraydown. Utilizing only the lower dowel gives the operator the flexibility to bunch the bag at the top during the spraydown process, increasing vessel wall access and decreasing stress on the wash liner. It is ultimately up to the user to decide which option suits their needs best.

- ONLY USE THE CORRECT SIZED LINER WITH THE MATCHING VESSEL, OTHERWISE ENTANGLEMENT DAMAGE COULD OCCUR TO THE WASH LINER.
- ONLY UTILIZE PUREPRESSURE WASH LINERS WITH THE INCLUDED DOWEL ROD FOR OPERATION. ALWAYS UTILIZE THE LOWER ROD AT MINIMUM.
- DO NOT USE A STANDARD WASH LINER WITHOUT DOWELS IN THE AXIS MACHINE. DOWELS ARE REQUIRED FOR OPERATION.
- ONLY UTILIZE PUREPRESSURE WASH LINERS WITH THE INCLUDED DOWEL ROD FOR OPERATION. ALWAYS UTILIZE THE LOWER ROD AT MINIMUM.

2.3 Install for Axis Trichome Separator

7

Expandable Wash Liner Installation

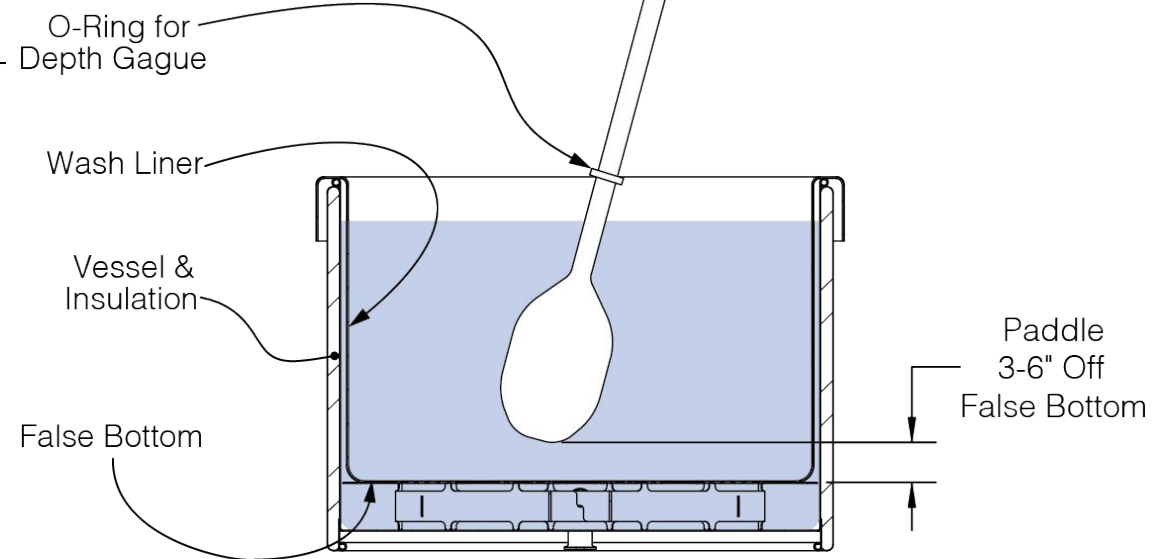
1. Carefully inspect the wash liner for any damage. The dowel is to be installed and operated on the outside of the filter bag, not the inside.
2. Thread the rod through all the dowel loops and utilize the connector sleeve to connect the two ends of the dowels. This rod will hold a diameter that matches the inside of your vessel. Be careful not to over stress the filtration mesh, it could cause a seam failure.
3. Be sure that your false bottom is installed before hand. Drop the expanded liner into the vessel bottom.
4. The white canvas material at the top of the filtration liner is referred to as the collar. It is meant to be wrapped around the top of the vessel. Pull it around the vessel evenly when installing. Work it around the vessel a little extra so that inside the bottom is floating 1-2in above the false bottom.
5. Next push back down, using your hands, around the inside circumference of the vessel to nest the dowel down flush with the false bottom. This process should make the bottom and sidewalls all taught. The liner should not be twisted or loose inside the vessel. Last tighten the draw cords around the outer wall of the vessel. Now is ready for material, ice and water.



3.1 Hand Paddling

9

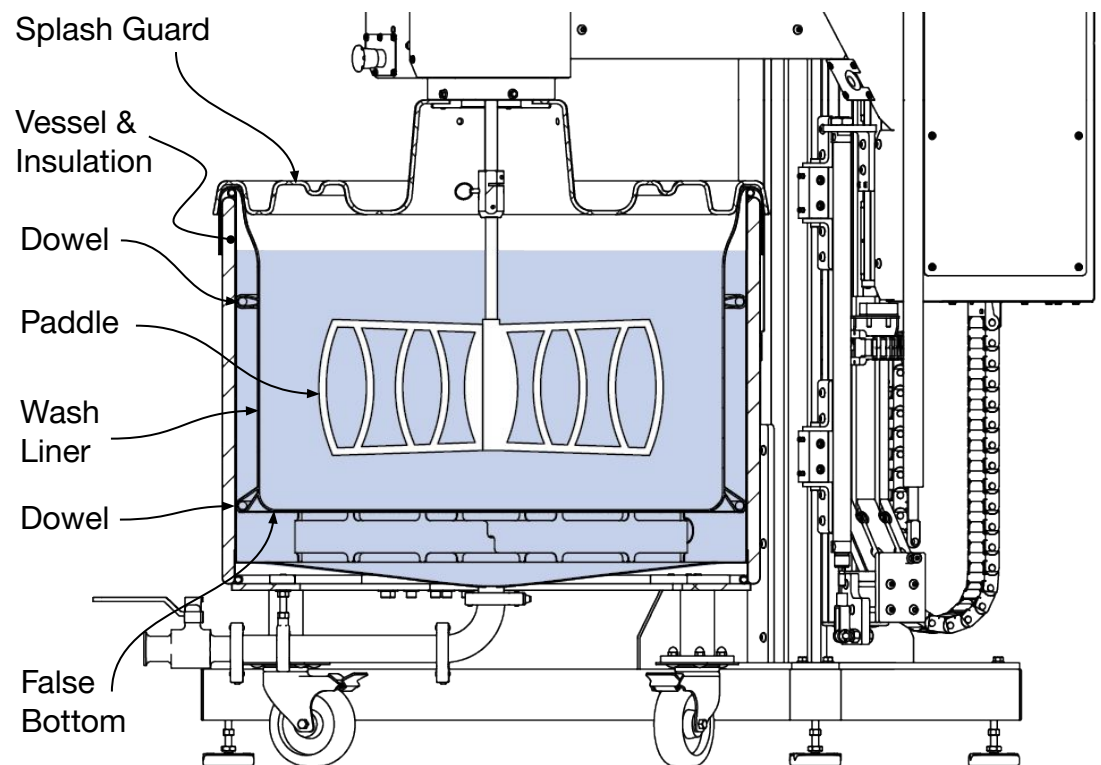
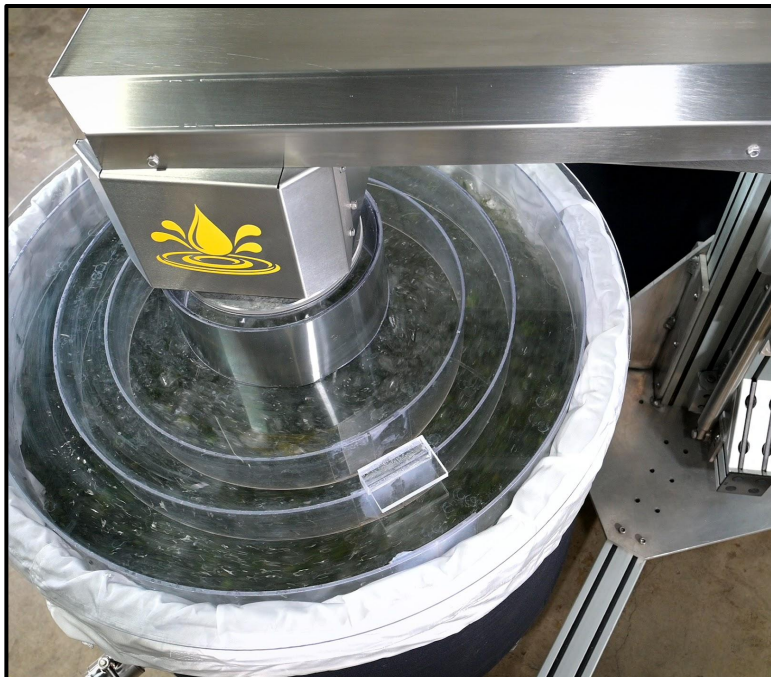
- The filtration mesh is the most critical component of the open ice water hash wash process. The filtration mesh NOT impermeable and is susceptible to damage. While hand paddling it is critical to restrict the paddle from making contact with the side walls of the vessel and especially the false bottom in order to avoid damage to the filtration mesh during the agitation process.
- We supply a food grade Viton Fluoroelastomer O-Ring with the purchase of a hash washing paddle from PurePressure. It is recommended that you utilize this o-ring as a depth indicator.
- To set this up use the wash vessel with a false bottom installed, but do not fill with ice, water or material. Hold the paddle in the air 2-3 in off the top of the false bottom. Slide the o-ring to be level with the rim of the vessel.
- Keep the o-ring at the rim of the vessel while agitating the cannabis biomass with the paddle. This will help the operator realize the height of the paddle during the wash process to avoid damaging the mesh.



3.2 Axis Trichome Separator

10

- The Expandable wash liner is intended for use with the Axis Trichome Separator to avoid paddle entanglement. As you can see in the diagram below all of the height interdependencies are pre determined for each of the 3 vessel sizes that work with the Axis.
- The preparation of the liner is critical for processing.
 - The dowel structure expands the filtration liner so that it cannot interfere with agitation around the interior perimeter.
 - The liner bottom is meant to sit on the false bottom. Do not pull the liner around the vessel rim so that it floats off the false bottom, this can cause paddle entrapment.



3.3 Draining, Rinsing & Refilling

11

Whether gravity draining or using our no shear hash pump there are a few things that can be done to ensure efficient utilization of the equipment. A typical wash cycle can be 10-20 minutes once that is done the material must sit so that the trichomes can settle to the bottom of the vessel. Utilize the sight glass on a wash vessel to identify when the settling period has completed

Draining - DON'T RUSH DRAINING, especially if using the hash pump. Too much fluid velocity produces suction in the vessel, and with material, that creates pressure between wash liner and the false bottom. That suction can pull the liner into the perforated false bottom pattern and damage the bag. Too much flow can also cause splash back on the output while draining your hash rich water into the filtration stack.

Once the vessel has drained the water then gather the top of the liner, like collecting a full trash bag, for spraying between the liner and the vessel walls before refilling.

Rinsing - After the fluid has been pumped (or gravity drained) from the wash vessel it is best to thoroughly spray down the material, liner and vessel before proceeding to post filtration. Use cold water to rinse down the wash liner, inside and out. Doing this between washes is the best way to ensure that all of your yield is being flushed for post filtration. The wash liner is a textile so trichomes can get trapped in the fibrous weave. Utilizing cold water for rinsing ensures trichome heads do not rupture during this process, as this can cause a loss in capturable yield.

Refilling - There are a number of ports on the Bruteless wash vessels that can be utilized in numerous ways and for multiple accessories and/or configurations. Here are a couple of recommended options when it comes to refilling vessels.

1. Using a lower port with an attached hose for refilling is one option that allows a hose to stay fixed to a vessel so that there is less to manage.
2. Top filling is something that can also be done with a hose and a drain hook. This is sometimes a better option when dealing with cannabis strains that are "foamy."

4 Material Handling & Cleaning

12

Material Handling

- The handles on the wash liner are constructed to lift the weight of the wet flower and ice out the vessel. We recommend a hoist if lifting an entire 65 gallon liner, filled with material, out of a vessel.
- An alternative material removal method is to first utilize a sieve shovel to remove a portion of the wet flower by hand, then remove the liner with the remainder of the material for disposal.

Cleaning and Care

- We have a number of tools available for cleaning the Bruteless vessels, however cleaning a textile can be a little more difficult.
- The benefit of polymer textiles is that the fibers cannot stain. Any discoloration in your liner is typically a result of the resinous nature of cannabis combined with the chlorophyll from the plant. These are elements that can over time imbed into the weave change the color of your wash liner. Use this as an indicator for when it's time to dispose of the liner and replace with a new one.
- We recommend you thoroughly rinse filtration wash liners with cold water both flipped inside and out with water before and after every wash. Utilize the lifting straps for hang drying.
- Do this after every wash operation while everything is still cold to prevent ruptured trichomes from staining the weave.
- If you have a liner with the dowels, it's okay to leave the dowels in the bag for drying. We do recommend those be removed and cleaned as needed.

