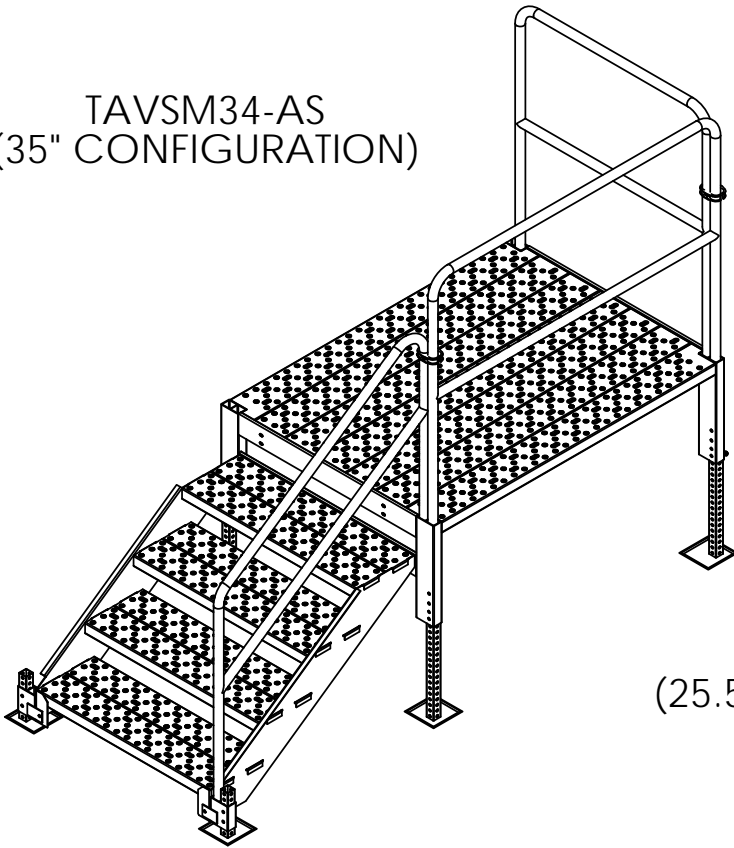


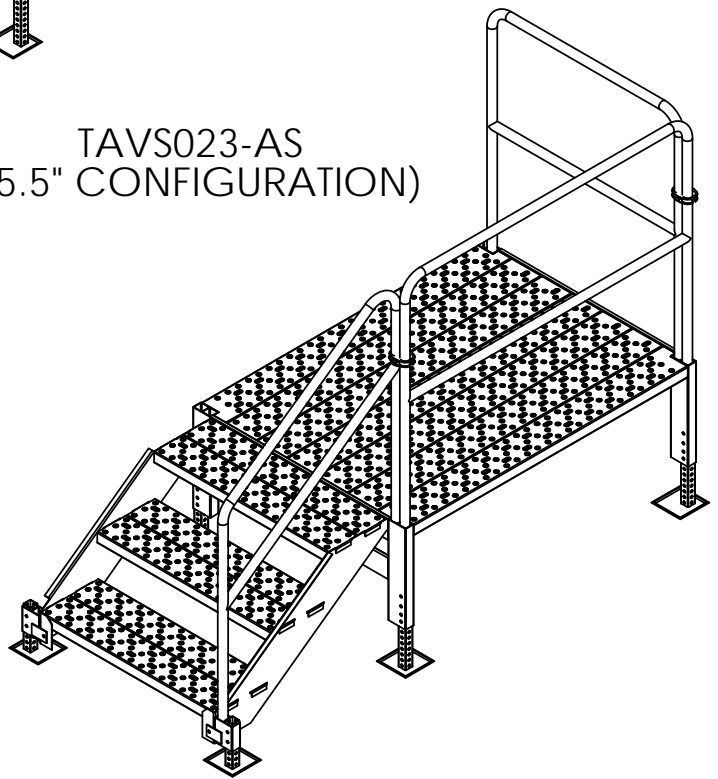
VERSA STEP ASSEMBLY INSTRUCTIONS

MODELS: TAVSM34-AS & TAVS023-AS

TAVSM34-AS
(35" CONFIGURATION)



TAVS023-AS
(25.5" CONFIGURATION)

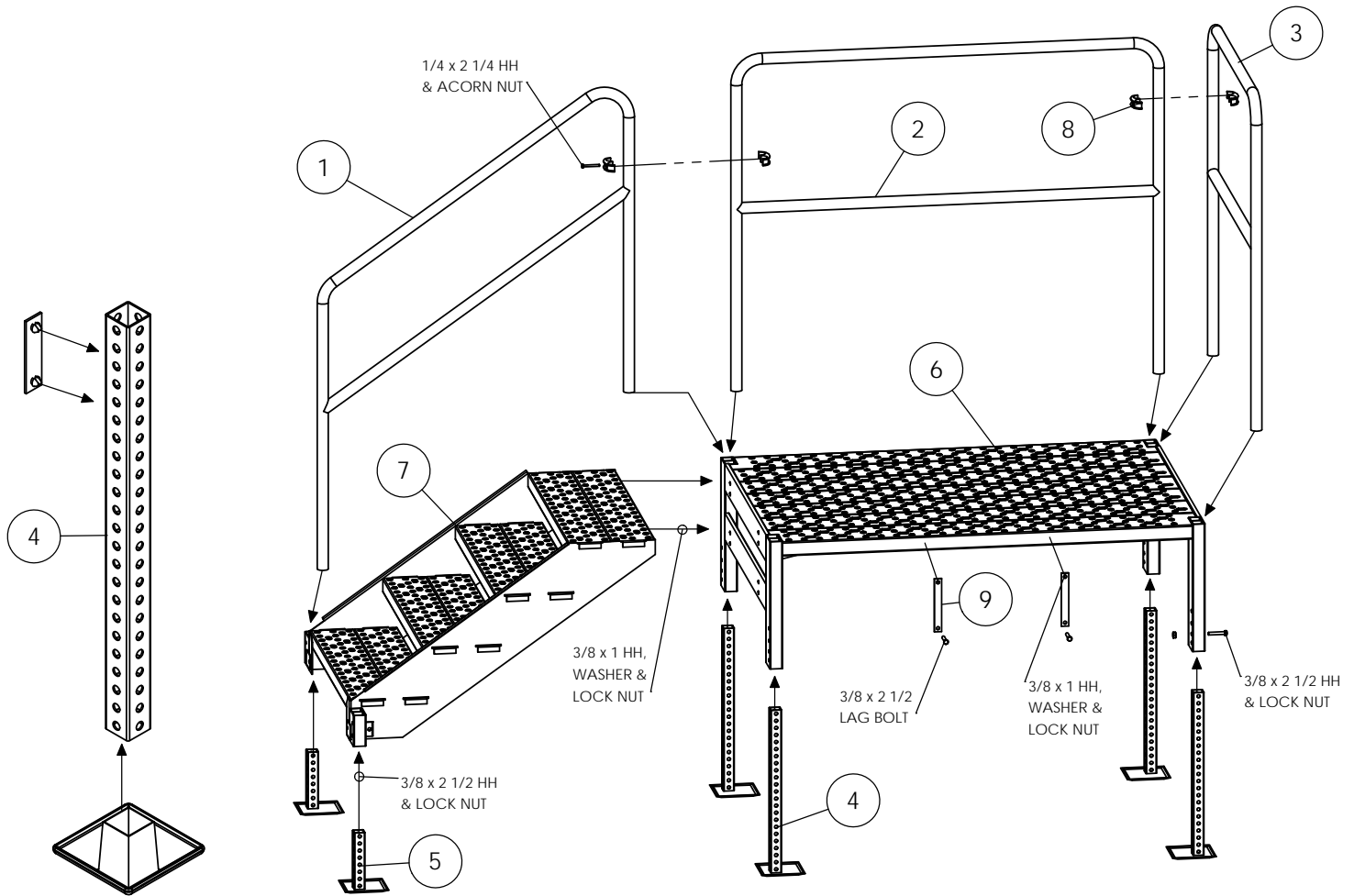


VERSA  **STEP**

The **Ultimate** in Modular Access Versatility

VERSA STEP ASSEMBLY INSTRUCTIONS

MODELS: TAVSM34-AS & TAVS023-AS



FIRMLY INSERT PERFORATED TUBE INTO PLASTIC FOOT.

SNAP PLASTIC CLIP INTO TOP OF PERFORATED TUBE LEAVING 1 HOLE SHOWING ABOVE THE CLIP.

CLIP MUST BE CONFIGURED WITH FOOT AS SHOWN FOR PROPER FIT INTO PLATFORM.

ATTACHMENT HEIGHT ADJUSTER ONLY TO BE USED IF MEDIUM WILL NOT ALLOW DIRECT MOUNTING BETWEEN PLATFORM AND BUILDING.

TAVSM34-AS SHOWN FOR REFERENCE ONLY

#	ITEM DESCRIPTION	TAVSM34-AS PART #	TAVS023-AS PART #
1	HANDRAIL	GER56A	GER68A
2	SIDE GUARDRAIL	GER54A	GER54A
3	REAR GUARDRAIL	GER52A	GER52A
4	PLATFORM LEG	GER50A	GER50A
5	STAIR LEG	GER80A	GER80A
6	PLATFORM	GEPLATVSA	GEPLATVSA
7	STAIR	GEP50-AA	GEP53-AA
8	RAIL CLAMP	GECLAMP	GECLAMP
9	ATTACHMENT HEIGHT ADJUSTER	GEP53	GEP53
10	FASTENER PACK	GEVSFASPACK	GEVSFASPACK

UNIT MUST BE ATTACHED TO BUILDING. ATTACHMENT HARDWARE INCLUDED