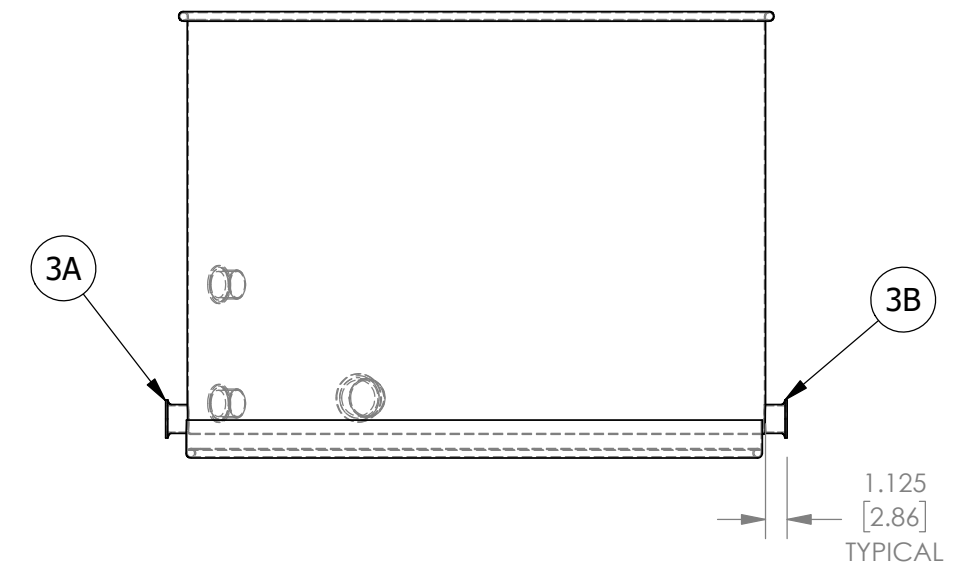
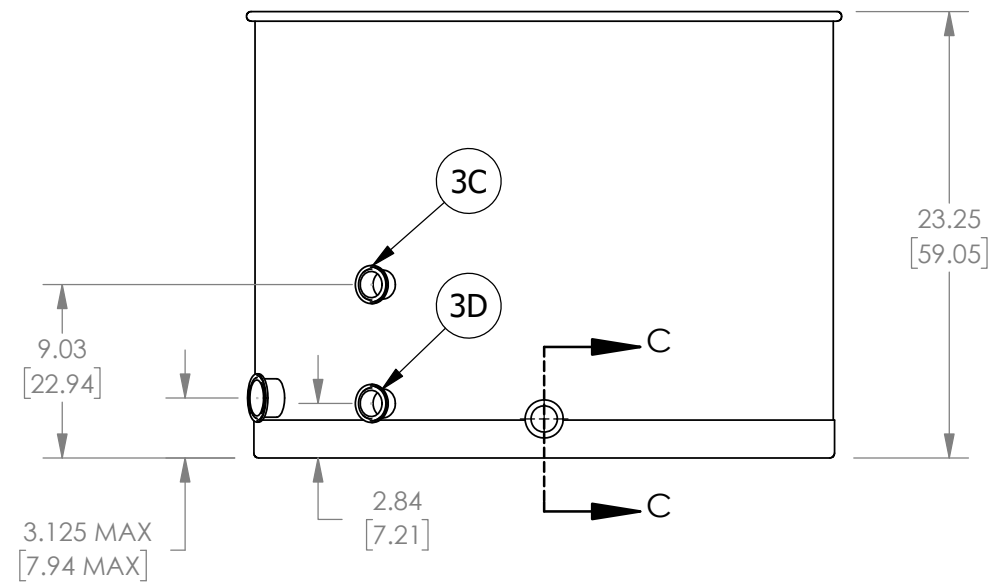
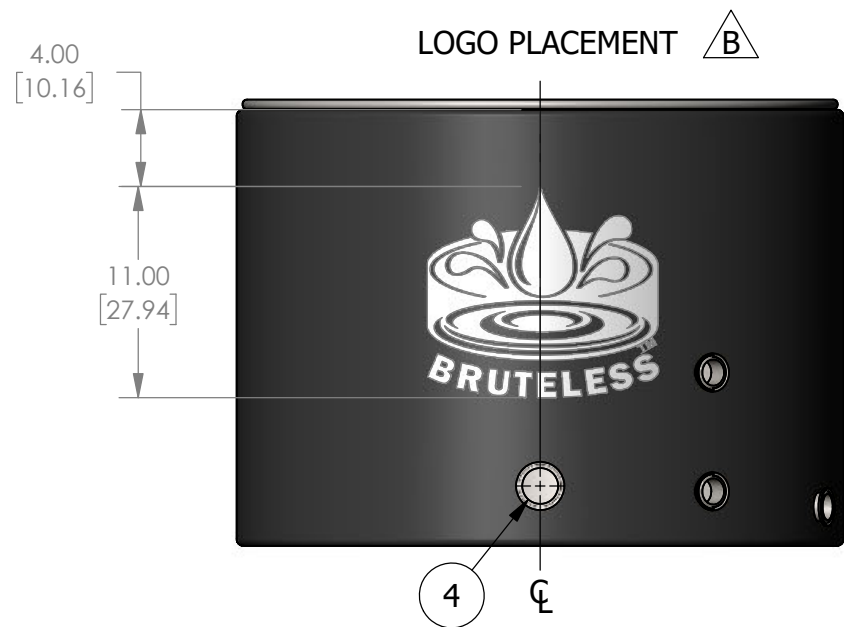
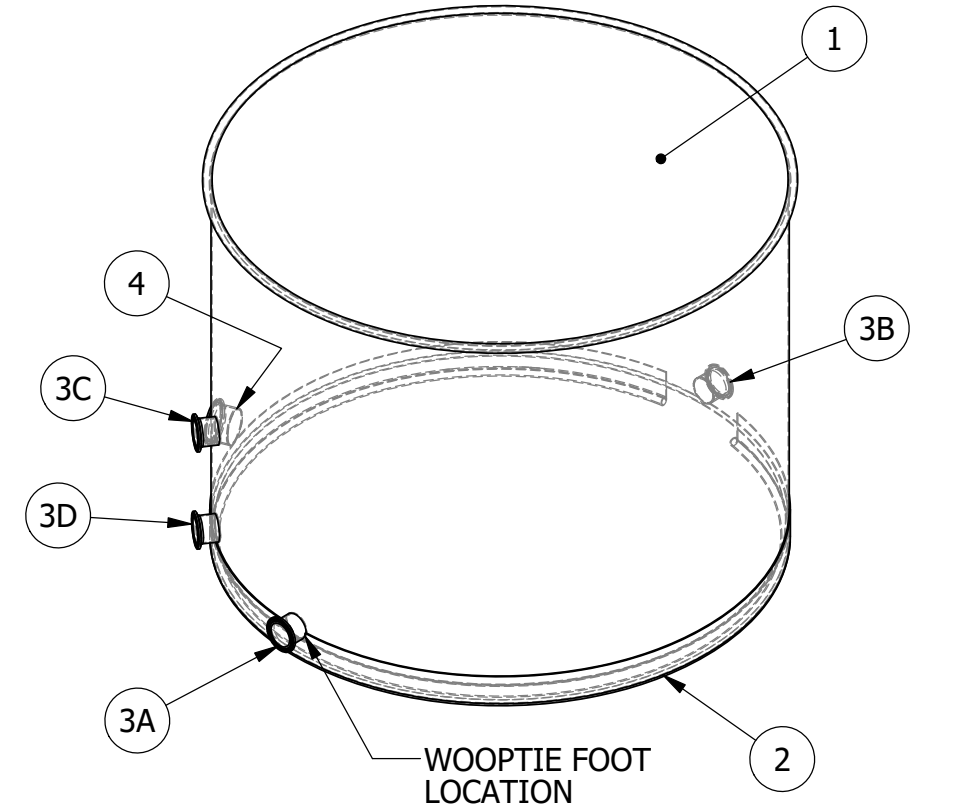
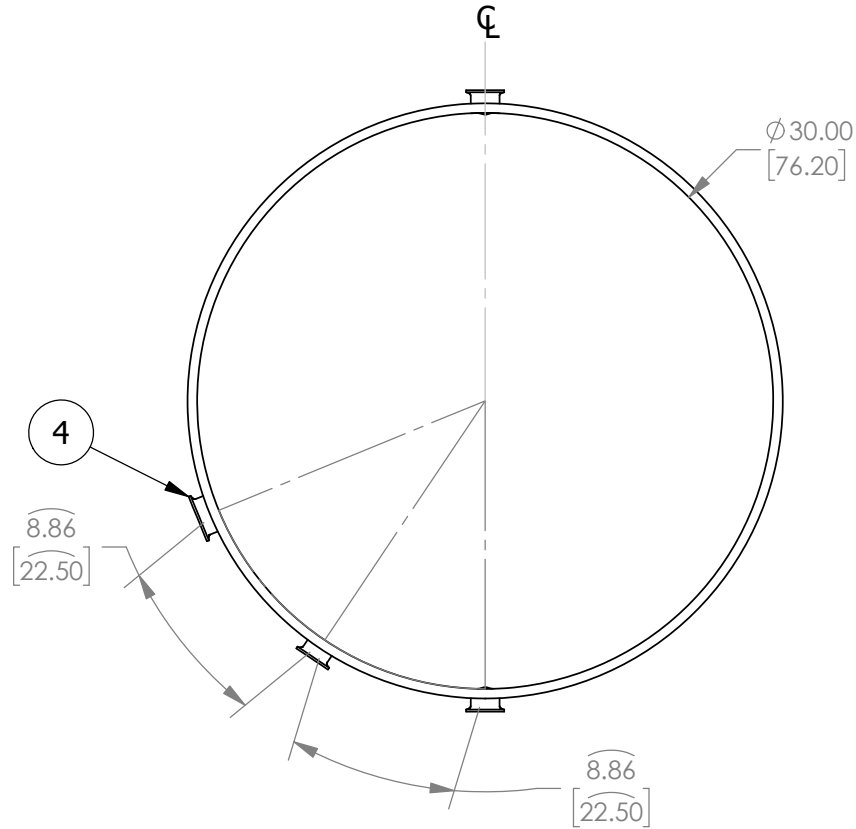
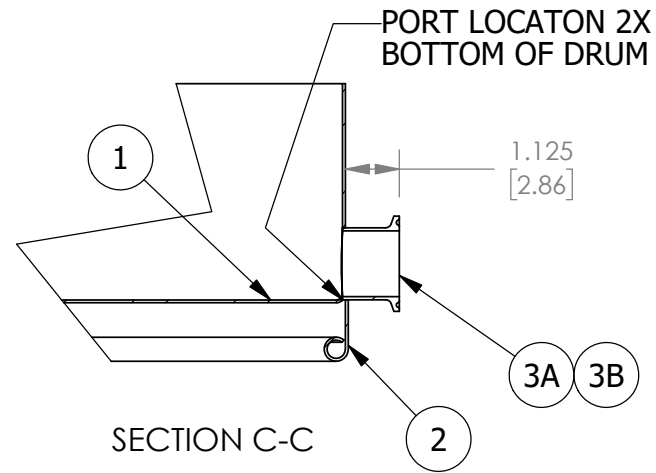


PROPRIETARY & CONFIDENTIAL PROPERTY OF PUREPRESSURE LLC. NO PORTION OF THIS DRAWING/INFORMATION IS TO BE USED OR REPRODUCED WITHOUT WRITTEN PERMISSION.

REVISIONS				
REV.	DESCRIPTION	DATE	DRAWN	APPROVED
A	SUBMITTAL	7/24/2019	K.MANUEL	BEN B.
B	LOGO MOVE	7/26/2019	K.MANUEL	ALEX C.



ITEM NO.	PART NAME	QTY.
1	Washer Drum, 65Gallon	1
2	Drum Footer	1
3	1.5in Tri Clamp Ferrule	4
4	2in Tri Clamp Ferrule	1

PART #: PPM084
 DESCRIPTION: WASHER DRUM, 65 GALLON w/ INSULATION
 MATERIAL: 16GA 304 S.S.
 FINISH: 2B FOOD GRADE FINISH



UPPER DIMS. ARE IN INCHES
 LOWER DIMS. [CENTIMETERS]
 DEBURR ALL SHARP EDGES
 TOLERANCES:
 ±0.125" UNLESS POSTED OTHERWISE
 ±0.25" LOGO LOCATION

PART NAME: Washer Drum, 65Gallon
 PRODUCT: BRUTELESS
 DRAWN: K.MANUEL 7/26/2019
 SHEET: 1 OF 1
 REV: **B**