

Extraction Freeze Dryer

Smart controls
with 5" color touch screen display.

Built-in quality assurance
One-touch data logging of vacuum, collector and precise shelf and sample temperature sensors.

Hot gas defrost
Speeds and simplifies removal of ice from collector.

Exclusive moisture sensor
prevents start-up if moisture is detected in the collector to protect the vacuum pump.

Vacuum break valve
protects pump in the event of power failure.



Unprecedented vacuum pump protection
shuts pump down in the event set point is not achieved.

USB port and Ethernet connection
for data transmission, remote email notification of operating parameters and alerts.

Full view
of product during freeze drying with optional LED light. No insulation necessary.

Quick disconnect brackets on side walls for easy cleaning.

Ample shelf space
optimized for plant material and extract.

Heated programmable shelves
to speed the freeze drying process. Includes 3 shelves, fits up to 5.

Large capacity, 8L
upright stainless steel collector chamber.

Full one year warranty



Extraction Freeze Dryer

Operating System Features



Data Logging

View and store data in table or graph form and may be exported via USB.

Color indicating display

of collector temperature and vacuum level makes operation easy.

Easy to use controls

Vacuum set point, remote notification alerts, diagnostic tests and defrost control.

Settings

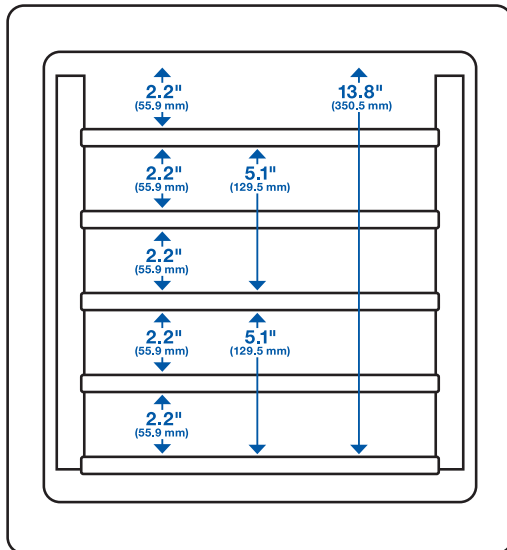
Includes 5 languages, time, temperature and vacuum (mBar, Torr or Pa).

Flexible operation

Stores up to 30 programs with up to 16 steps each. Auto and manual start-up modes for collector cool down and vacuum pull down.

Network connection

Via Ethernet for remote notification and data transfer.



Shelf Spacing Dimensions

Dimensions & Shipping Weights

Overall Dimensions (w x d x h)	Shipping Weight
22.5" x 26.5" x 36.6"	440 lbs. (200 kg)



Solventless Extraction Equipment Specialists

Contact us today to get started
Email us at sales@gopurepressure.com or call us at 720-446-9565.

purepressure.com