

4

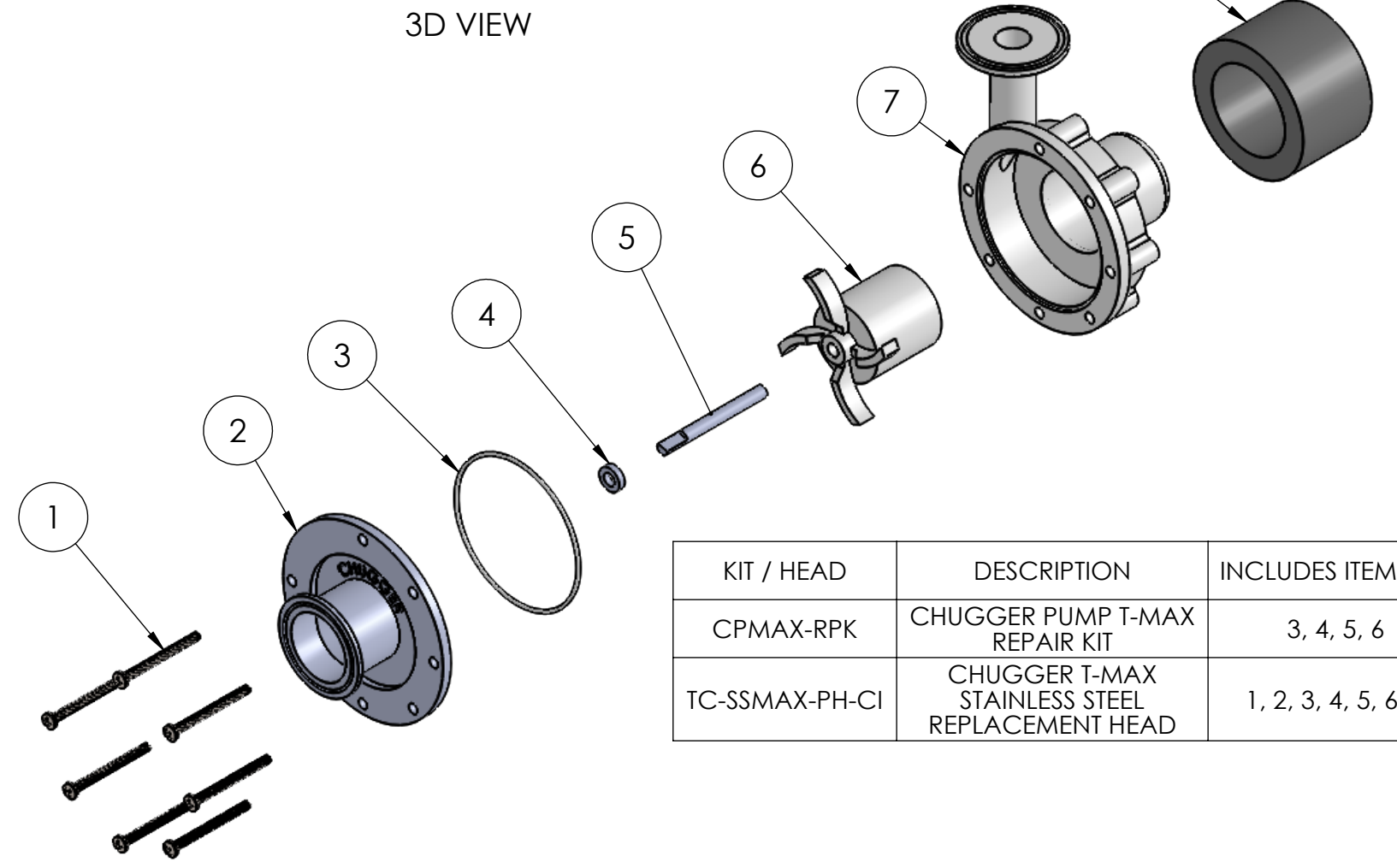
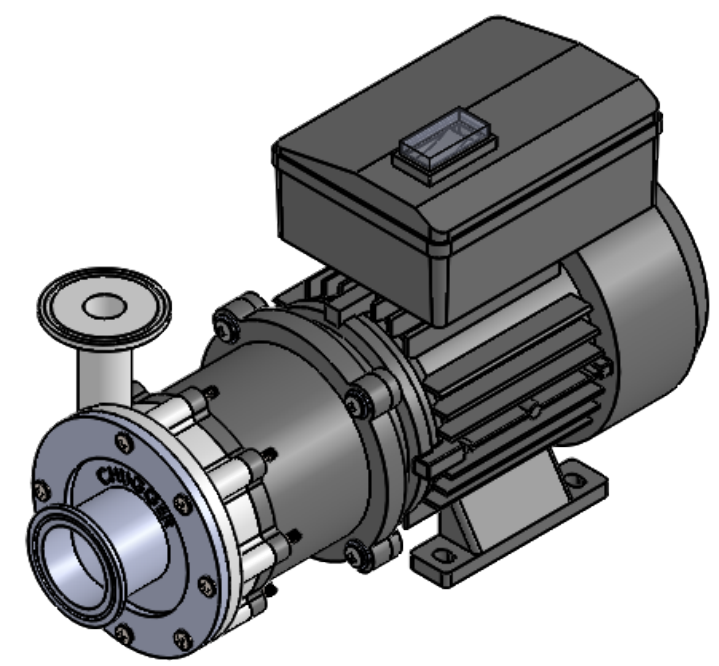
3

2

1

B

B



ITEM NO.	PART NUMBER	DESCRIPTION	QTY.
1	CPMAX-21	SCREW, SS, 4 x 45mm	7
2	TC-CPMAX-22-SS	FRONT COVER, STAINLESS STEEL	1
3	CPMAX-23	O-RING, SILICONE, 77 x 1.8mm	1
4	CPMAX-24-2	THRUST WASHER, CERAMIC	1
5	CPMAX-24-1	SHAFT, 316 SS, 63.7 x 6.33 mm	1
6	CPMAX-25	IMPELLER, PSS + TFE, SS, 40 x 48 mm	1
7	TC-CPMAX-26-SS	REAR HOUSING, STAINLESS STEEL	1
8	CPMAX-27	MAGNET, REINFORCED PA66	1
9	N/A	REAR HOUSING BOLT	4
10	N/A	WASHER, 1/4"	4
11	CPMAX-28	BRACKET, REINFORCED PA66	1
12	NOT SOLD INDIVIDUALLY	TEFC MOTOR	1

KIT / HEAD	DESCRIPTION	INCLUDES ITEM NO.
CPMAX-RPK	CHUGGER PUMP T-MAX REPAIR KIT	3, 4, 5, 6
TC-SSMAX-PH-CI	CHUGGER T-MAX STAINLESS STEEL REPLACEMENT HEAD	1, 2, 3, 4, 5, 6, 7

ASSEMBLY

TRI-TCPSMAX-CI

SCALE: 1:2.9

SHEET 1 OF 2

4

3

2

1

A

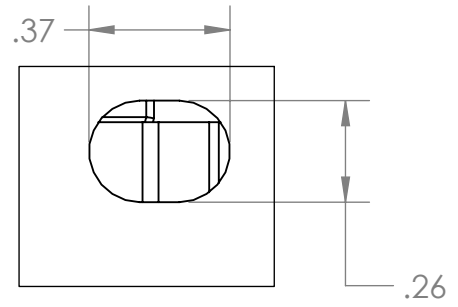
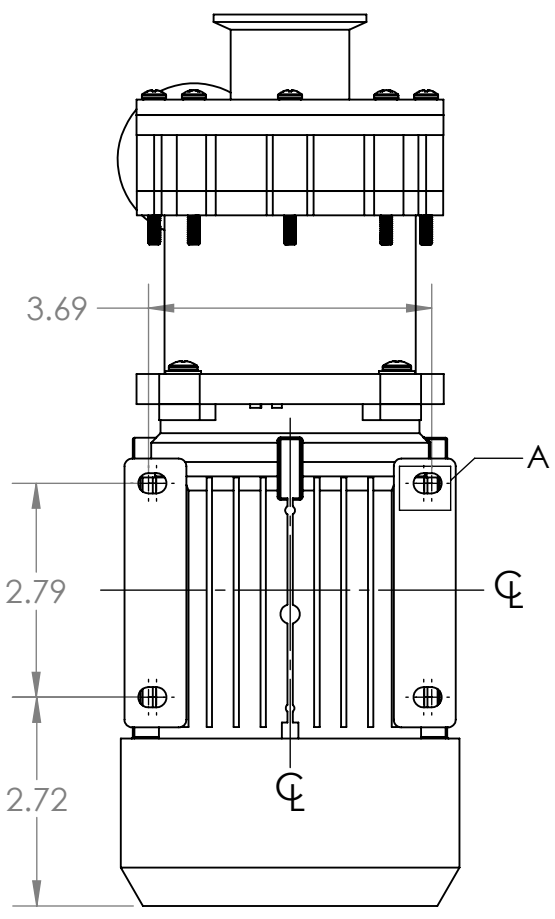
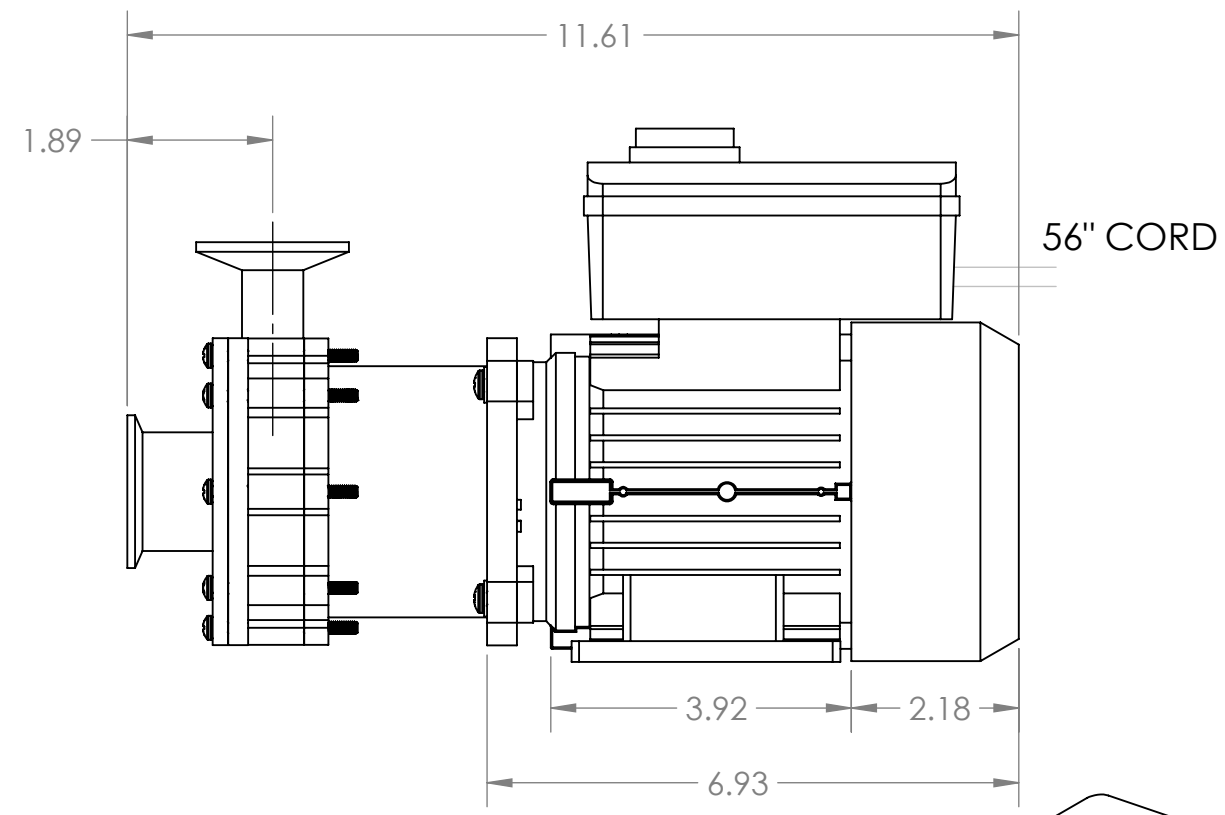
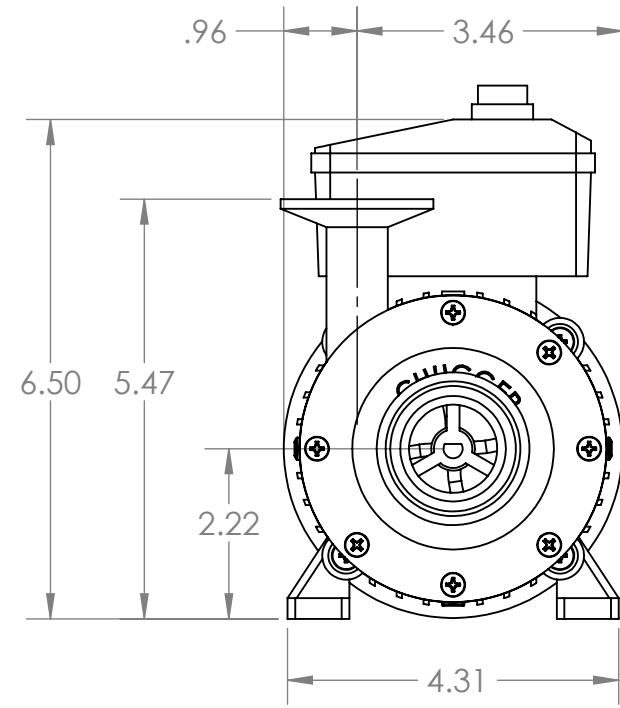
A

4

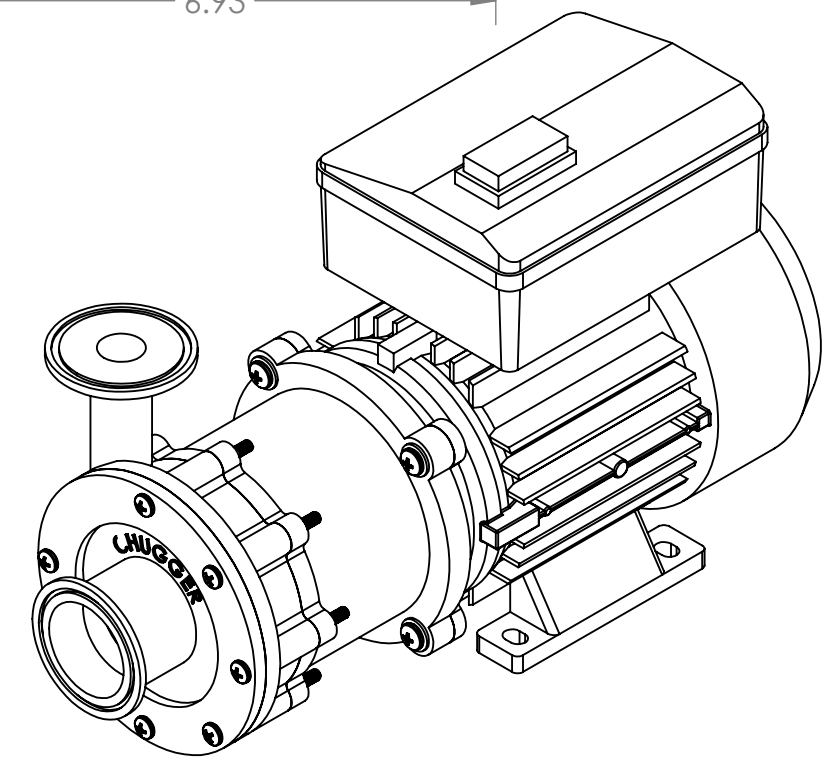
3

2

1



DETAIL A
SCALE 2:1



3D VIEW

ASSEMBLY

TRI-TCPSSMAX-CI

SCALE: 1:2.5

SHEET 2 OF 2

4

3

2

1

B

B

A

A