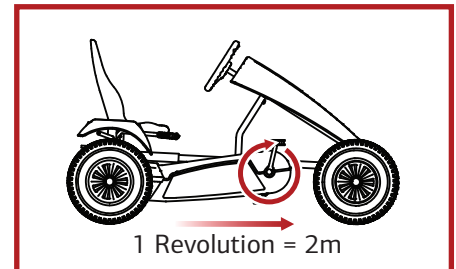
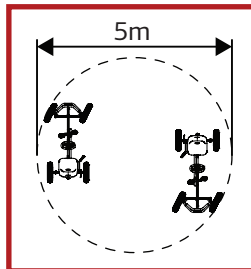
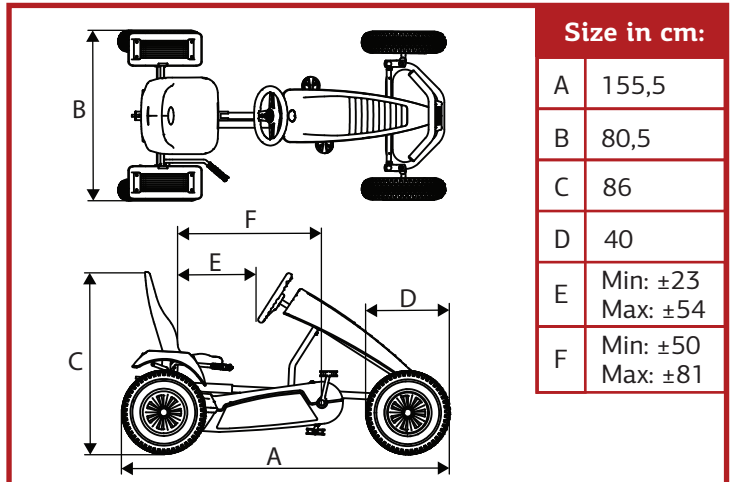




07.10.08.xx

EN

BERG X-Cross BFR



Specifications:	
Weight: 43,1kg	
Max weight user: 100kg	
Max length user: 2m	
Box 1	Dimensions: 100 x 58 x 31,5cm Weight: 22,2kg 12 on Block pallet (1,2 x 1m)
Box 2	Dimensions: 100 x 58 x 41,5cm Weight: 29,5kg 10 on Block pallet (1,2 x 1m)
Tire type: Tubeless	
Cardboard in packaging: 7,4kg	
Synthetic material in packaging: 1,2kg	
Hardboard in packaging: 0kg	
Parental supervision required: YES	
EAN-code: 8715839051018	

Compatible with the following accesories:
18.08.00 - BERG Large Trailer
18.25.14 - Multi-Purpose Trailer (+ add-ons)
15.37.08 - Passenger seat X-Cross
15.63.11 - Roll bar Off-Road
15.63.22 - Spare Wheel X-Cross
15.60.40 - Front Lift
15.60.30 - Rear Lift (Batch nr. 1401894 or higher)
15.60.50 - Lift Bucket *
15.60.60 - Bulldozer Blade *
15.60.55 - Pallet Fork *
15.63.41 - BERG heavy duty Brake pads
15.63.42 - BERG License plate kit
50.99.42 - Flag (excl. flag pole)
56.09.03 - Flag Pole
15.24.70 - Flashing Light On Pole
16.24.20 - Flashing light blue cover
15.24.80 - Flashing light for Roll Bar
15.99.00 - Go-Kart cover
15.24.10 - Siren
15.20.01 - LED Headlight
15.23.12 - Onboard Computer
15.20.45 - Light set
12.20.20 - LED Light (red)
15.20.10 - LED Light (white)
15.21.01 - Mirror set
15.24.02 - Two Tone Horn

*Add-on for Front lift or Rear lift



With its sturdy looks, this go-kart looks solid, and it sure is solid! This kart is designed for great outdoor adventures. With the five-spoke rim and air filled tyres you can easily drive through the mud. An extra spatter doesn't matter. The tyres spin smoothly thanks to the ball bearings. Therefore your kart drives light. That enables you to have long and serious adventures outside!

Would your friend like to accompany you? No problem. BERG offers a trailer or a passenger seat. So everyone can join you. Everyone likes to have an X-Cross!

USP's

- Equipped with the unique BFR hub, incorporating a back pedal brake, together with forward and reverse pedaling. For maximum safety forward and reverse are automatic with no need for a lever or switch.
- The freewheel means that the pedals do not turn when the kart is moving and you stop pedaling, giving a very safe ride.
- Many years of driving pleasure, from age 5 until even adult years.
- Adjustable seat can be set in 6 different positions.
- The wheels run fast and smooth due to the roll-bearing wheels. You can drive for hours without getting tired.
- The double ball-bearing steering mechanism ensures accurate steering and easy maneuverability.
- Perfect road holding and stability thanks to the swing axle.
- Extra grip and comfort due to air filled tyres.
- The easily accessible chain tensioner system allows you to tension the front chain quick and easy for optimal performance.
- The chain guard is designed to give easy access to the chains and hub within, to more easily perform maintenance
- Front wheel alignment can be easily adjusted by the adjustable steering bars.
- Parking brake for additional safety.
- CE certified.
- Can be stored upright, which is ideal if storage space is limited.
- Towbar comes as standard.
- BERG offers a range of accessories for additional playing fun. Examples are: a passenger seat, trailer, front and rear lift units, headlights and much more!
- Strong and solid five-spoke rim

We have adjusted our go-karts so that most users will be able to pedal easy and comfortably. However, if you feel that it is too heavy to pedal your go-kart, we offer the possibility to purchase a different crank-set, which will makes pedaling easier.