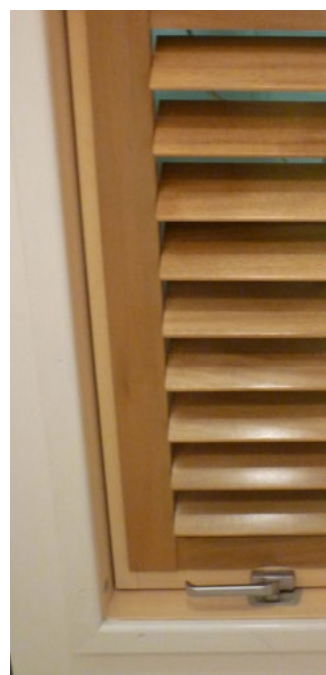
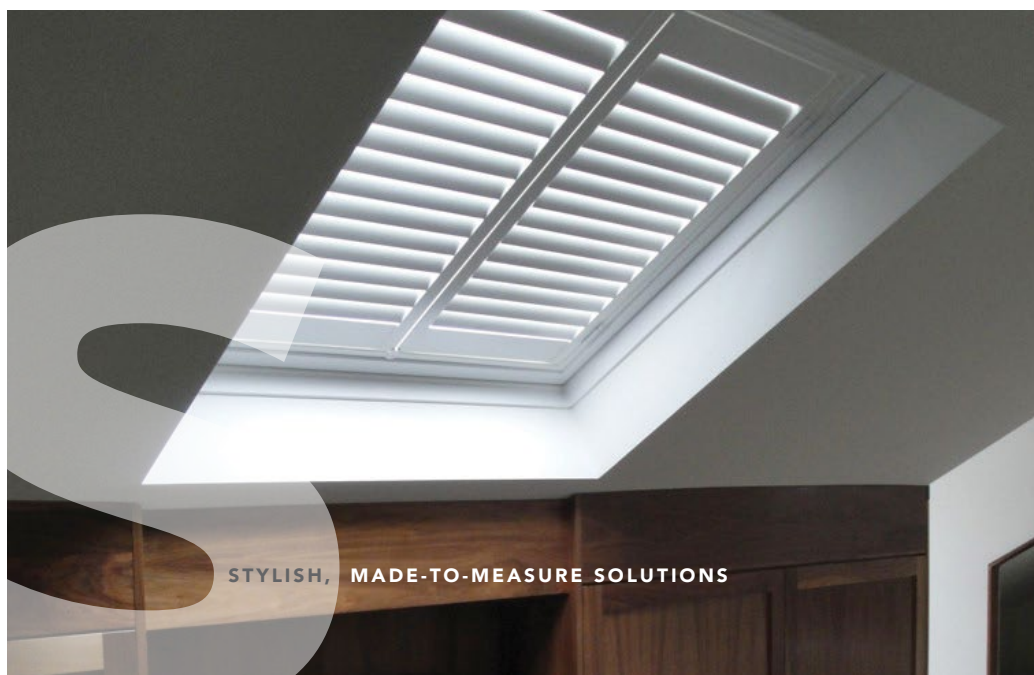


# SKYLIGHT SHUTTER SPECIFICATIONS



2014 Version 1.1

The **ShutterShop**

# SPECIFICATION OVERVIEW

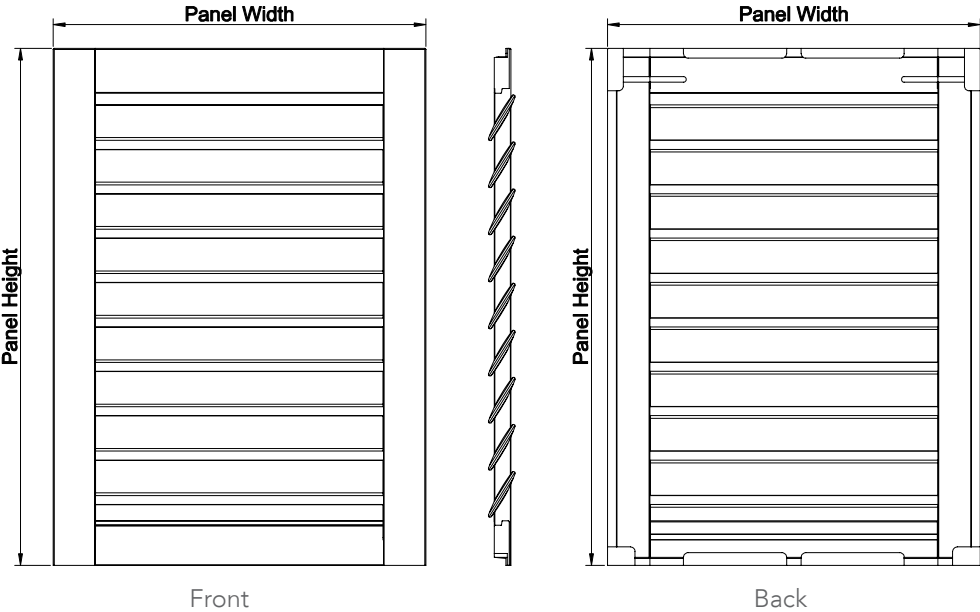
### INTRODUCTION

Shuttershop are pleased to announce the new skylight shutter available in the most popular Velux and Fakro skylight window sizes.

The skylight shutter is supplied as a panel only. Additional hardware is supplied which is fixed to the actual skylight window itself and the skylight shutter panel is then attached to this.

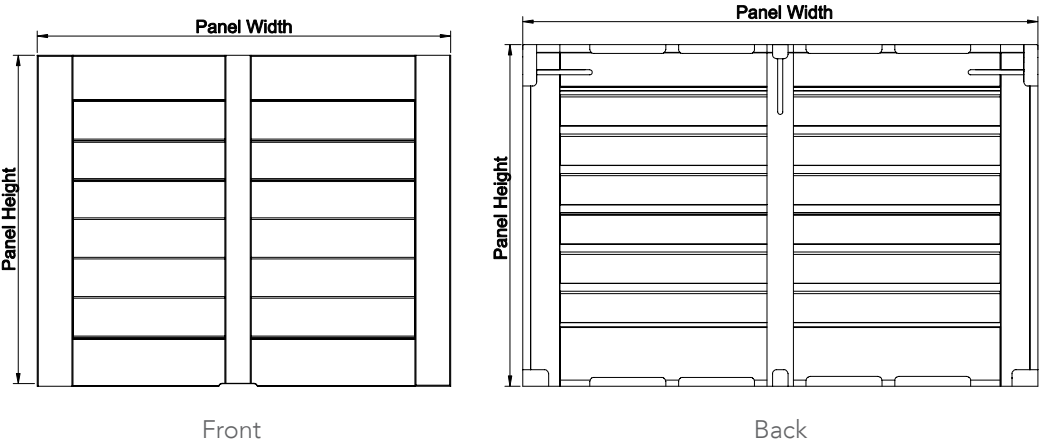
Material: Basswood

### For Velux



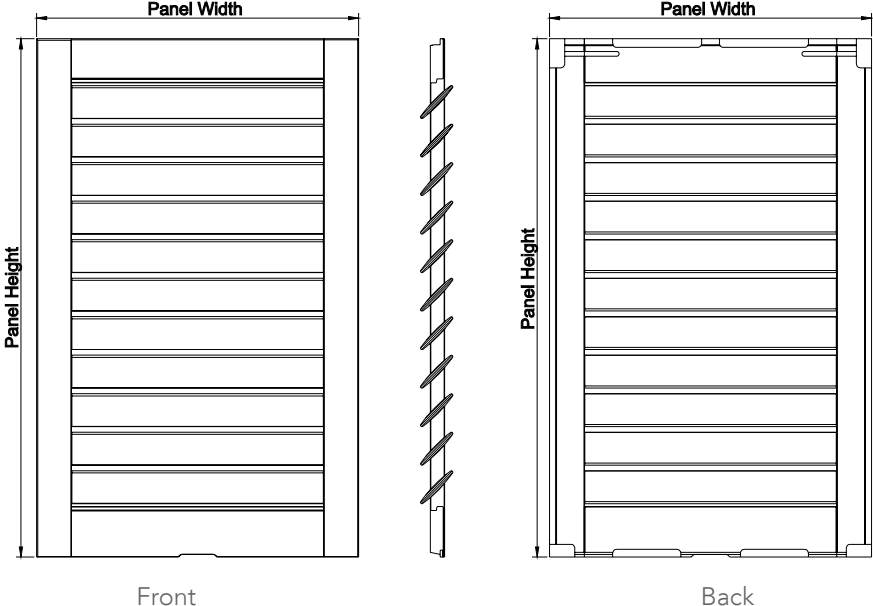
### With vertical centre stile

Wider skylights are automatically supplied with a vertical centre stile - see window size charts for more information as to which window sizes this applies to.



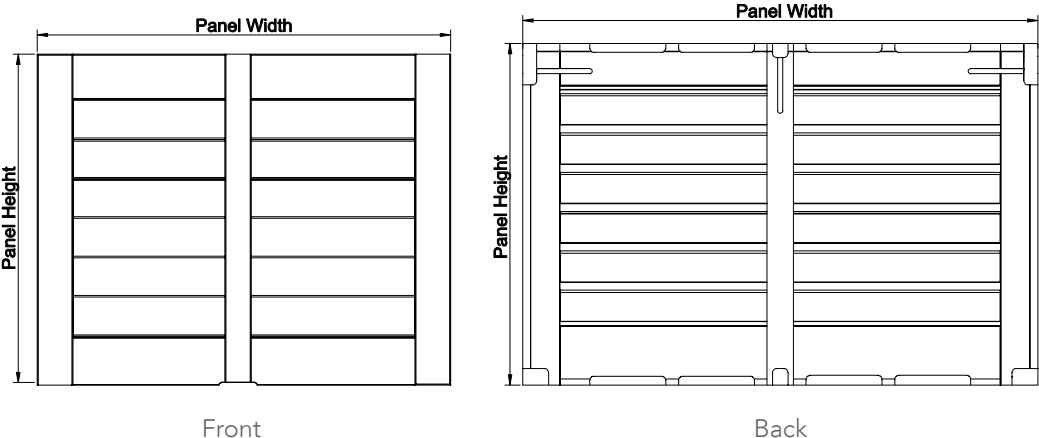
# SPECIFICATION OVERVIEW

For Fakro



With vertical centre stile

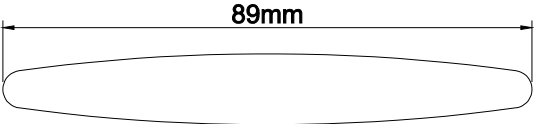
Wider skylights are automatically supplied with a vertical centre stile - see window size charts for more information as to which window sizes this applies to.



# COMPONENTS OVERVIEW

**LOUVRE: 89MM**

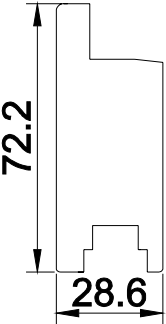
Please note the skylight shutter is only available in an 89mm elliptical louvre.



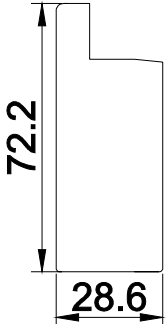
**STILE:**

For Velux

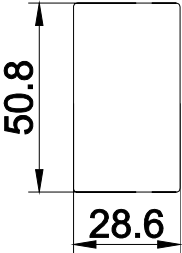
Left Stile



Right Stile

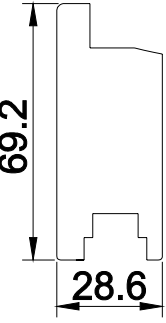


Center Stile

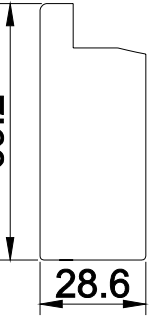


For Fakro

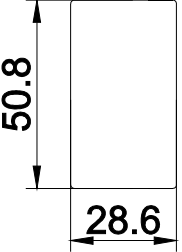
Left Stile



Right Stile



Center Stile



# COMPONENTS OVERVIEW

**RAIL:**

For Velux

Top Rail

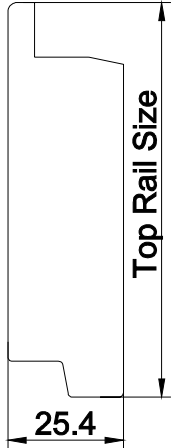


Bottom Rail



For Fakro

Top Rail



Bottom Rail



# WINDOW SIZE CHART

When selecting a skylight shutter you will initially need to choose which make of skylight shutter under the material drop down. Your options are either Velux skylight, Keylight Skylight or Fakro skylight.

## Velux: GGL/GPL/GHL/GGU/GPU/GHU

Once selected please choose panel only under the installation option. Now under installation style please simply choose the model you require i.e C02. Now under "the type column" your choices are GGL/GPL/GHL/GGU/GPU/GHU. For Fakro and Keylight simply select your requirements from installation style drop down. This will automatically price and place the correct skylight shutter order.

### For Velux

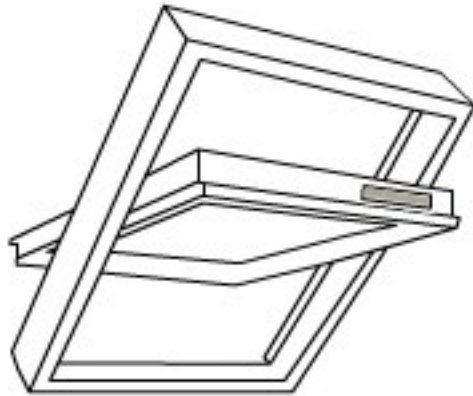
VELUX TYPE	VELUX SIZE CODE	WINDOW SIZE (CM)	SHUTTER SIZE		CENTER STILE
			WIDTH (MM)	HEIGHT (MM)	
GGL/GGU	C02	55x78	408	564	N
GGL/GGU/GHL/GPU/GHU	C04	55x98	408	762.5	N
GGL/GGU	F04	66x98	518	762.5	N
GGL/GGU/GHL/GPU/GHU	F06	66x118	518	962.5	N
GGL/GGU/GPU	F08	66x140	518	1182.5	N
GGL/GGU/GHL/GPU/GHU	M04	78x98	638	762.5	N
GGL/GGU/GHL/GHU/GPU/GPL	M06	78x118	638	962.5	N
GGL/GGU/GHL/GHU/GPU/GPL	M08	78x140	638	1182.5	N
GGL/GGU/GPU/GPL	P06	94x118	800	962.5	N
GGL/GGU/GPU/GPL	P08	94x140	800	1182.5	N
GGL/GGU/GHL/GHU/GPU/GPL	S06	114x118	998	962.5	N
GGL/GGU/GHL/GPU/GPL	S08	114x140	998	1182.5	N
GGL/GGU/GHL	U04	134x98	1198	762.5	Y
GGL/GGU/GPU/GPL	M10	78x160	638	1384.5	N
GGL/GGU/GPU/GPL	U08	134x140	1198	1182.5	Y

### For Fakro

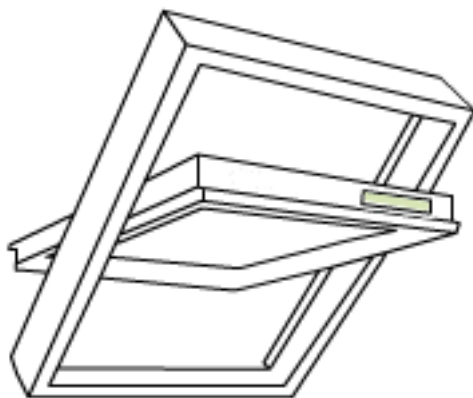
FAKRO SIZE CODE	WINDOW SIZE (CM)	SHUTTER SIZE		CENTER STILE
		WIDTH (MM)	HEIGHT (MM)	
01	55x78	408	625	N
02	55x98	408	825	N
03	66x98	518	825	N
04	66x118	518	1025	N
05	78x98	638	825	N
06	78x118	638	1025	N
07	78x140	638	1245	N
08	94x118	798	1025	N
09	94x140	798	1245	N
10	114x118	998	1025	N
11	114x140	998	1245	N
12	134x98	1198	825	Y
17	134x140	1198	1245	Y
80	94x160	798	1445	N

## CODE AND SIZE IDENTIFICATION

To identify Velux codes please see images below:



To identify Fakro codes please see images below:



# SPECIFICATION OVERVIEW

## COLOUR OPTIONS

The skylight shutters are available in two colours only - see below. Should you want any other colour this is available at the standard custom colour surcharges.

COLOUR ID	COLOUR NAME
003	Silk White
253	Natural Pine
Custom colour is also available	

## TILT CONTROL TYPE

The skylight shutters are only available in silent (hidden) tilt with the gearing on the left.

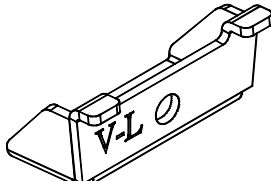
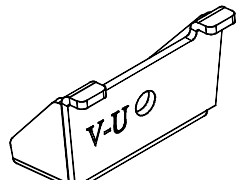
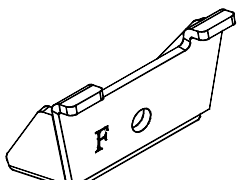
## SKYLIGHT SHUTTER FITTING INSTRUCTIONS

Your skylight shutter has been specifically designed for your Velux or Fakro skylight window. These instructions will help with the installation of your skylight shutter. Should you experience any difficulties please refer back to the retailer in the first instance.

Your skylight shutters comes in an 89mm louvre. The mechanism that tilts the louvres is hidden within the shutter itself. If you have the manually operated skylight shutter simply move one louvre and this will in turn move the rest. Should you have the remote control option simply select the louvre position you require and the louvre will move to this position automatically.

## HARDWARE

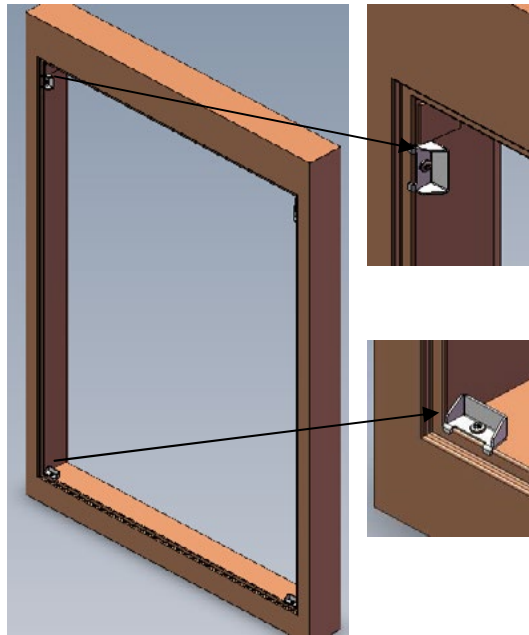
Your skylight shutter comes with the corresponding brackets for the skylight window. Please see below the corner brackets which will have been supplied according to the model you have chosen, corner bracket (V-L) / (V-U) / (F): included with shutter.

MODEL TYPE	CORNER BRACKET TYPE
Velux - GGL/GPL/GHL	 A 3D perspective drawing of a corner bracket labeled 'V-L' with a circular logo.
Velux - GGU/GPU/GHU	 A 3D perspective drawing of a corner bracket labeled 'V-U' with a circular logo.
Fakro	 A 3D perspective drawing of a corner bracket labeled 'F' with a circular logo.



Corner brackets will be installed on the sash of the Velux/Fakro roof window, two at the top and two at the bottom.

**Note the corner brackets position:**



• Top brackets: Vertical

• Bottom brackets: Horizontal

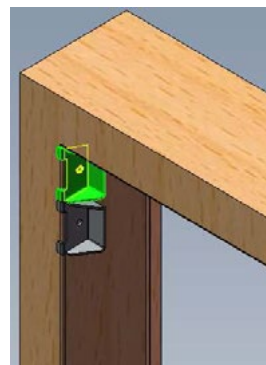
**Position to install the top corner brackets:**

For Velux



Install the corner brackets below the block rubber.

For Fakro



Install the corner brackets 1 bracket below. Use 1 bracket (provided with the package) as a measurement device (see picture).

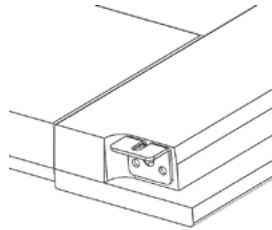
**Position to install the bottom corner brackets:**

For both Velux & Fakro

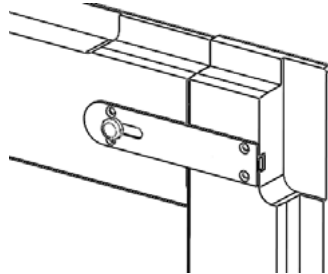


- Make sure that the corner bracket is positioned against the corner.
- Make sure that the two legs on the bracket are lined up against the window edge.

**L Bracket:** Pre-installed

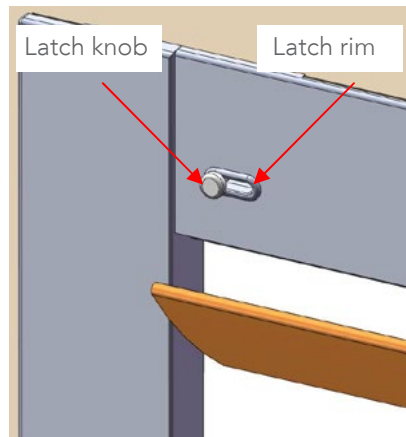


**Latch for roof window shutter:** Pre-installed



**REMOTE CONTROL SHUTTER HARDWARE:**

Colour: stainless steel.  
As seen from the front:



**HARDWARE SUPPLIED:**

The following hardware is supplied with the different model types.

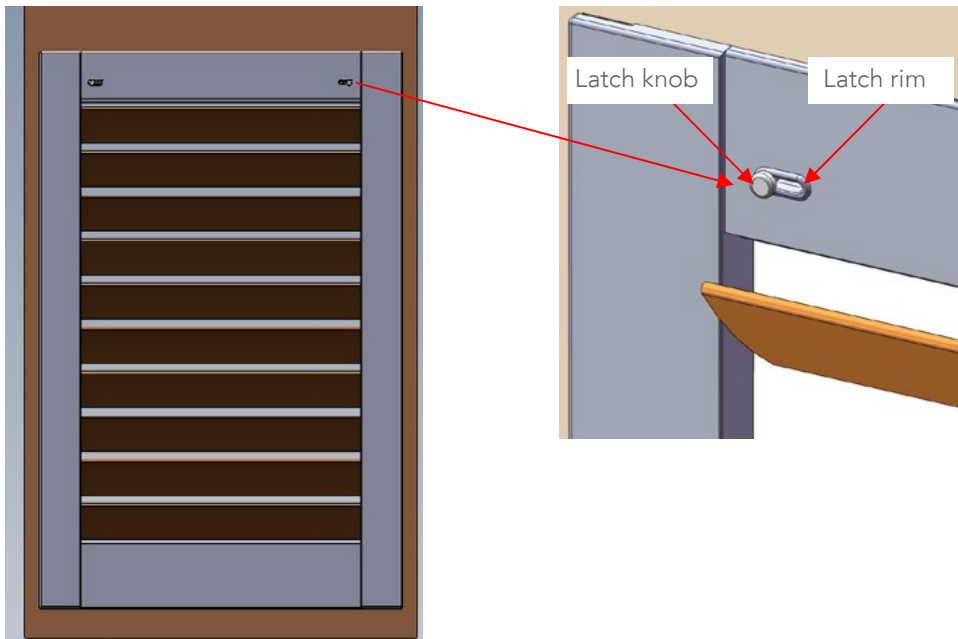
FOR VELUX	NO CENTER STILE	WITH CENTER STILE	SCREW QTY PER EACH
Barrel Bolt Qty	2	3	4
L Bracket Qty	2	3	2
Corner Bracket (V-L) Qty	4	6	1
Corner Bracket (V-U) Qty	4	6	1

FOR FAKRO	NO CENTER STILE	WITH CENTER STILE	SCREW QTY PER EACH
Barrel Bolt Qty	2	3	4
L Bracket Qty	2	2	2
Corner Bracket (F) Qty	4	5	1

## REMOTE CONTROL SHUTTER OPTION

A remote control option is available for the skylight shutter. This will be supplied with a battery pack.

For the remote control shutters two latch rims with knobs will be placed at the front of the shutter. This ensures that should the batteries run out of power the panel itself can still be removed for battery replacement or maintenance. Please see picture below.



For motorised shutter with center stile, motors will be on both left and right stiles. And there will be 3 latch rims and latch knobs in the front. Please refer to pictures below:

