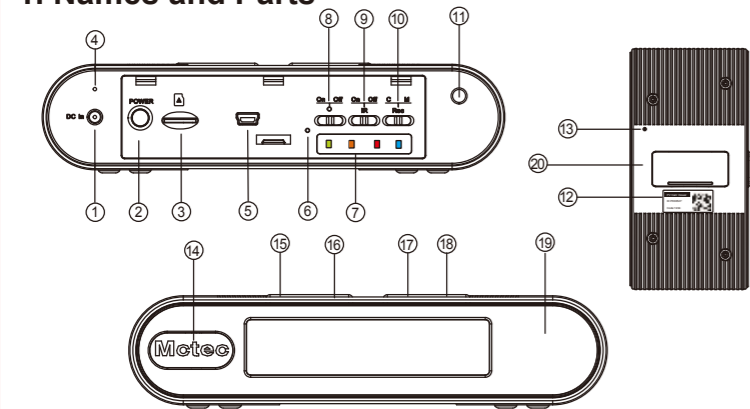


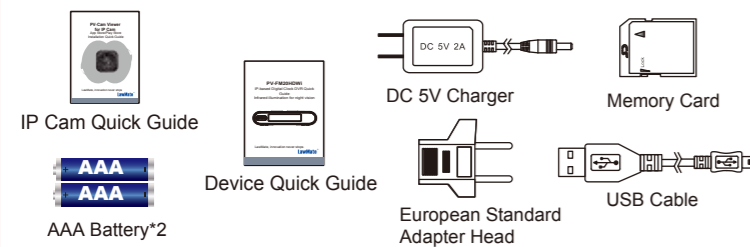
1. Names and Parts



- | | | |
|--------------------|--|-------------------------|
| ① DC 5V In | ⑥ Wi-Fi On/Off | ⑭ Lens |
| ② Power Button | ⑨ IR Sensor On/Off | ⑮ Clock Setting : + |
| ③ Memory Card Slot | ⑩ Continuous Recording/ Motion Detection | ⑯ Clock Setting : - |
| ④ Microphone | ⑪ Light Sensor | ⑰ Clock Setting : ok |
| ⑤ USB Port | ⑫ DVR QR Code | ⑱ Infrared Illumination |
| ⑥ DVR Default Key | ⑬ Clock Reset Key | ⑳ Battery Slot |

2. Package Content

*No microphones are available for USA market.

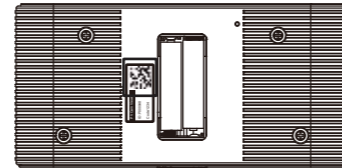


3. Power Supply

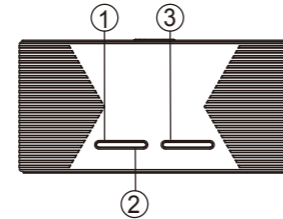
- Connect DC 5V adaptor to DVR is the **ONLY** way to power the DVR and run the recording process.



- Inset 2 pieces AAA batteries into battery slot to power the digital clock.



4. Time Setting for Clock Display

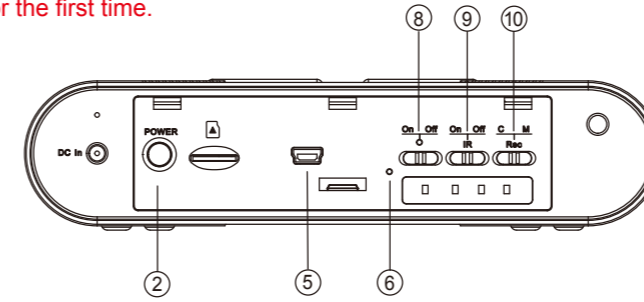


※ The time setting here is for clock display only. It does not apply to video files.

- Insert 2 pieces AAA batteries into battery slot.
- Press and hold ③ for three seconds to access time setting mode.
- Press ① or ② to set hours and press ③ again to set minutes. To exit time setting mode, press ③.
- Press ① to switch the displaying to 12 or 24 hour format.

5. Operation

It is highly recommended to format memory card first before using it for the first time.



- Power on: Press ② once.
- Recording: 40 seconds after the device is powered on, it starts to record automatically.
- Wi-Fi: With device powered on, switch ⑧ to on, Wi-Fi will be turned on in 40 seconds.
- Power off: Long press ② for 4 seconds to stop recording and turn off DVR.
- Reset: When the device functions abnormally, please unplug the power adaptor.
- Restore default Wi-Fi password: long press ⑥ for 4 seconds.
- Restore all default setting: press ⑥ for 10 seconds.
- Change the recording mode: Switch ⑩ right to Continuous recording mode; switch ⑩ left to Motion Detection mode.
- Switch ⑨ to activate or turn off the infrared illumination for night vision.

※ Do not unplug the power adaptor while recording. This action will damage the recording files.

6. LED Indicators

- Solid blue LED - power on
- Solid red LED - recording on
- Blinking orange LED - device searching for Wi-Fi connection
- Solid orange LED - device connected to phone (P2P connected)
- Solid green LED - device connected to the router (IP connected)

7. Format Memory Card

Go to the Program Setting on the PV Cam Viewer App to format the memory card.

8. Retrieve Video Files

There are two ways to read the retrieve video files.

- Use memory card reader to retrieve video files.
- With the device powered on and memory card inserted, plug the USB cable into ⑤, and plug the other end into the PC. The device will be recognized by PC as an external drive for user to retrieve the files.

9. Setting up IP Connection

Please refer to PV-Cam Viewer for IP cam quick guide.

10. Note

The IR filter could move to the wrong position during the transportation and it will cause a red recorded image. In this case please follow the steps below to calibrate the DVR.



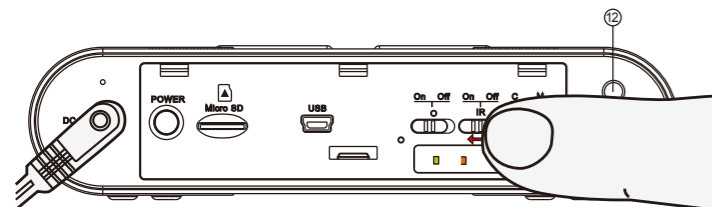
Normal



Abnormal

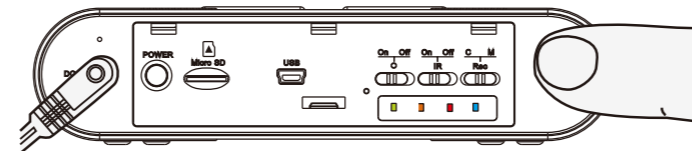
10.1

First, switch on IR function and then power on DVR.



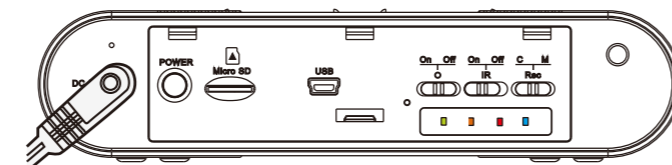
10.2

Cover the photocell ⑪ for 5 - 6 with your finger for a few seconds. You will hear a click.



10.3

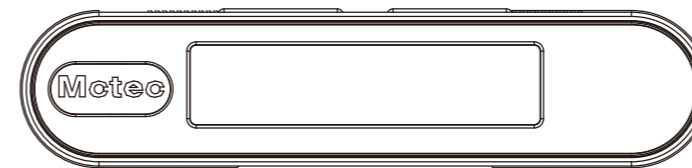
Remove your finger and you will hear another click after 5 to 6 seconds later. Then, the calibration process is completed.



PV-FM20HDWi

1080p Night Vision IP Cam in Radio Clock Design

Quick Guide



LawMate, innovation never stops

LawMate