



Australian Government
IP Australia

CERTIFICATE OF REGISTRATION

DESIGN

No. 365376

I, **Victor Portelli, Registrar of Designs**, certify that the design, a representation of which is attached, has been registered in the Register of Designs, and that the following details have been entered in the Register in respect of that registration.

Name and Address of Owner(s):

Ember Technologies, Inc.
4607 Lakeview Canyon Rd. #500 Westlake Village California, 91361 United States of America

Name of Designer(s): Martin Gschwandtl, Eric Fields, Stephen Steger, Christopher Kuh, Robert Brunner

Product in respect of which the design is registered: Drinking container

Design Number: 15829/2015

Date on which Application for Registration of the Design was filed: 30 October 2015

Date of Registration: 19 November 2015

Term of Initial Registration: Five years commencing on 30 October 2015

Statement of Newness and Distinctiveness: Newness and distinctiveness of the design resides in the shape and configuration of the drinking container as shown in solid outline in the accompanying representations.

Convention Details:

Number	Date	Country
29/526026	5 May 2015	UNITED STATES OF AMERICA

The design representation(s), plus any additional owner or designer names or other additional information relating to the registration, are listed on the attached pages.

*Given under my hand and the seal of the
Designs Office on 20 November 2015*



**Victor Portelli
REGISTRAR OF DESIGNS**

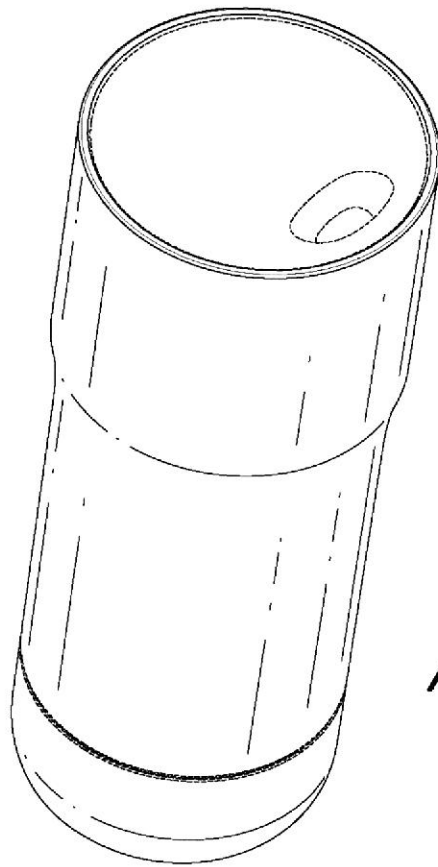


FIG. 1

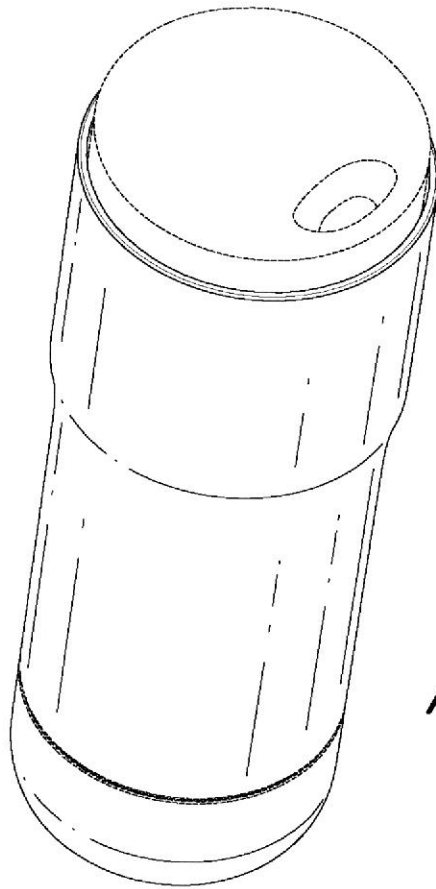


FIG.2

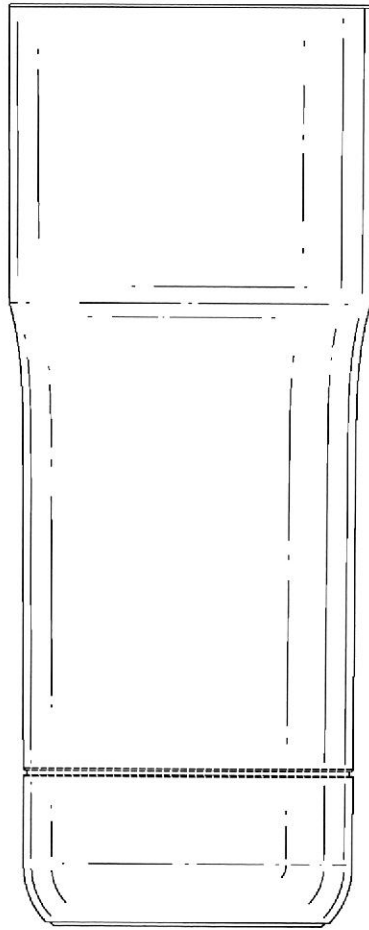


FIG. 3

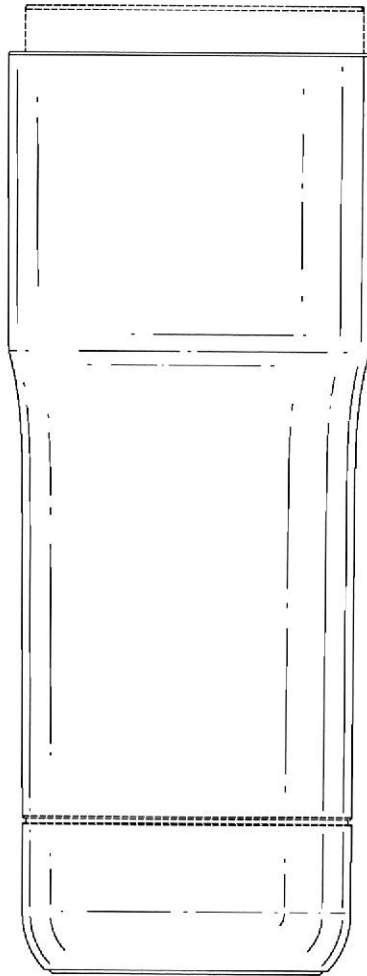


FIG. 4

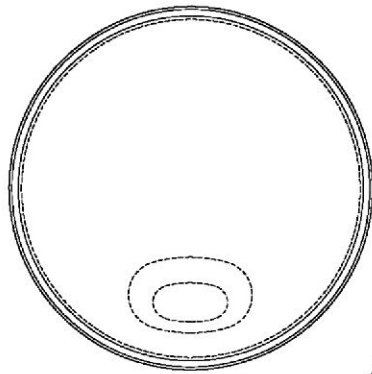


FIG. 5

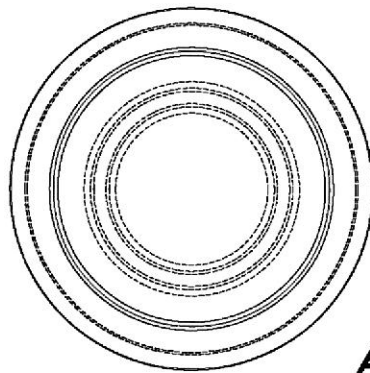


FIG. 6

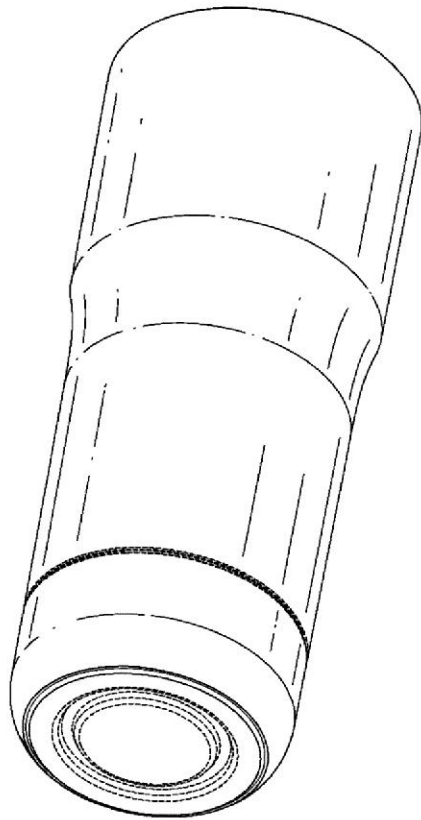


FIG. 7

FIGURE DESCRIPTION

Fig. 1 is a perspective top view of a drinking container with the cover in a depressed position;

Fig. 2 is a perspective top view of the drinking container with the cover in a raised position;

Fig. 3 is a side view with the cover in the depressed position;

Fig. 4 is a side view with the cover in the raised position;

Fig. 5 is a top view;

Fig. 6 is a bottom view; and

Fig. 7 is a perspective bottom view.

The relatively lighter shade lines indicate contour only and not pattern or ornamentation.