

INSTALLATION INSTRUCTIONS LWSC715XXXX

PLEASE READ CAREFULLY BEFORE INSTALLING FIXTURE
Save these instructions, as you may need them at a later date.

Thank you for purchasing Cloudy Bay™ LED Lighting Fixtures.

Cloudy Bay™ LED Indoor Wall Sconce



100% DIMMABLE



GENERAL: All electrical connections must be in accordance with local and National Electrical Code (N.E.C.) standards. If you are unfamiliar with proper electrical wiring connections, contact and obtain the services of a qualified electrician. Use UL or IEC approved wire only for input/output connections.

Remove fixture and mounting components from the box, and make sure that no parts are missing, by referencing the illustration in the illustration instructions.

DIMMING: This product is compatible with most common residential type dimmers. Dimming performance will depend upon dimmer, dimmer settings (dimmers with adjustments to brightness range), wiring method, and number of LED modules. For best results, set dimmer position at maximum before adjusting to a lower light level.

Turn power off before installation, inspection, or removal.
Use all necessary precautions while performing this procedure.

Consult a qualified electrician to ensure correct branch circuit conductor. Min 90°C supply conductors.

Properly ground electrical enclosure. IT IS IMPERATIVE THAT THE OUTLET BOX BE PROPERLY GROUNDED.

DO NOT REVERSE THE HOT AND NEUTRAL CONNECTIONS, OTHERWISE SAFETY WILL BE COMPROMISED.

This Integrated LED Fixture has no lamp/bulb to replace.



TROUBLESHOOTING

- Check that line voltage at fixture is correct.
- Ensure that there is voltage at lamp fixture wires. If there is no voltage, then check all connections.
- Check that fixture is grounded properly.

If fixture does not light:

- Check switch to ensure that there are no defects.
- Check fuse/circuit breaker for trips, then check wiring connections.



CLEANING AND MAINTENANCE:

CAUTION: Ensure fixture temperature is cool enough to touch.
DO NOT clean or perform maintenance while fixture is energized.

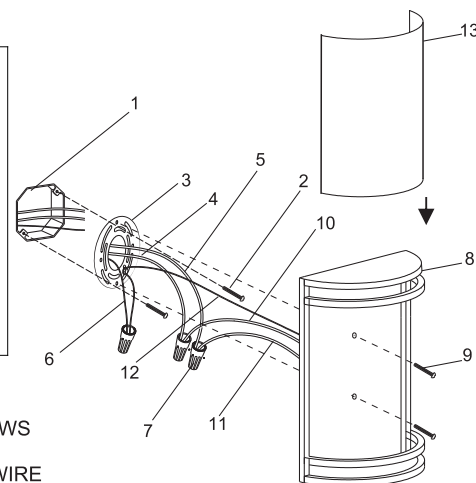
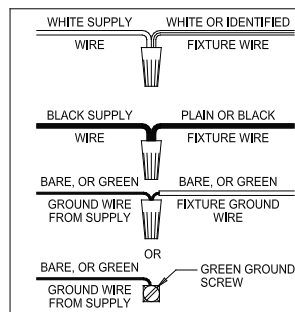
- Clean lens and fixture with non-abrasive cleaning solution.
- Do not open fixture to clean LED. Do not touch the LED.
- Do not spray liquid directly on to LED, LED driver or wiring.



5-Year Limited Warranty

LIMITED WARRANTY: This fixture is warranted to be free from defects in workmanship and material for up to 5-years. Based upon reasonable household usage, when used in accordance with package and included instructions. If this fixture does not last for the time period guaranteed, manufacture will send you a replacement fixture upon receipt of the returned fixture, register receipt, and proof of purchase. To contact us, please email us at info@cloudybaylighting.com to find out how to return the fixture. We are committed to making high quality products. Returning the fixture will help us monitor and further improve product quality. This replacement is the sole remedy available, and LIABILITY FOR INCIDENTAL OR CONSEQUENTIAL DAMAGES IS HEREBY EXPRESSLY EXCLUDED.

Figure 1



- 1.OUTLET BOX
- 2.MOUNTING SCREWS
- 3.WALL PLATE
- 4.WLACK SUPPLY WIRE
- 5.BLACK SUPPLY WIRE
- 6.SUPPLY GROUND WIRE
- 7.WIRE NUTS
- 8.FIXTURE BACK PLATE
- 9.SCREW NUTS

- 10.WHITE FIXTURE WIRE
- 11.BLACK FIXTURE WIRE
- 12.FIXTURE GROUND WIRE
- 13.FIXTURE SHADE

↓ Please follow these steps for installation. ↓

1. SHUT OFF MAIN ELECTRICAL SUPPLY FROM THE MAIN FUSE BOX/CIRCUIT BREAKER!
2. Remove contents from box. Ensure that no parts are missing. Reference the illustration included with this instruction manual.
3. Locate BLACK AND WHITE SUPPLY WIRES (4 & 5) and the SUPPLY GROUND WIRE (6), and remove them from the OUTLET BOX (1). Detach the Wall Plate(3) from the fixture by turning the Screw Nuts(9) counter-clockwise.
4. Place the WALL PLATE (3) over the OUTLET BOX (1) and align the mounting slots of the WALL PLATE (3) to the holes of the outlet. Fasten the WALL PLATE (3) to the OUTLET BOX (1) using the included MOUNTING SCREWS (2).
5. Make the following wire connections, using the provided WIRE NUTS (7):
WHITE (-) SUPPLY WIRE (4) TO WHITE FIXTURE WIRE (10)
BLACK (+) SUPPLY WIRE (5) TO BLACK FIXTURE WIRE (11)
SUPPLY GROUND WIRE (6) TO FIXTURE GROUND WIRE (12)
If necessary, wrap all wire connections in electrical tape to ensure a secure connection.
6. Carefully tuck all wiring back into the OUTLET BOX (1).
7. Attach the FIXTURE BODY (8) to the WALL PLATE (3) and secure in place using the SCREWS NUTS (9).
8. Install the fixture shade (13) into the fixture body.
9. Restore power at fuse box/circuit breaker. Check operation of Integrated LED Fixture.
10. Installation complete.

This device complies with Part 15 of the FCC Rules.
Operation is subject to the following two conditions: (1) this device may not cause harmful interference, and (2) this device must accept any interference received, including interference that may cause undesired operation.

