

# INSTALLATION INSTRUCTIONS

## DCO1017XXXX

PLEASE READ CAREFULLY BEFORE INSTALLING FIXTURE  
Save these instructions, as you may need them at a later date.

Thank you for purchasing CloudyBay™ LED Lighting Fixtures.



### LED Flush Mount



100% DIMMABLE 100%



**GENERAL:** All electrical connections must be in accordance with local and National Electrical Code (N.E.C.) standards. If you are unfamiliar with proper electrical wiring connections, contact and obtain the services of a qualified electrician. Use UL or IEC approved wire only for input/output connections.

Remove fixture and mounting components from the box, and make sure that no parts are missing, by referencing the illustration in the illustration instructions.

**DIMMING:** This product is compatible with most common residential type dimmers. Dimming performance will depend upon dimmer, dimmer settings (dimmers with adjustments to brightness range), wiring method, and number of LED modules. For best results, set dimmer position at maximum before adjusting to a lower light level.

Turn power off before installation, inspection, or removal. Use all necessary precautions while performing this procedure.

Consult a qualified electrician to ensure correct branch circuit conductor. Min 90°C supply conductors.

Properly ground electrical enclosure. IT IS IMPERATIVE THAT THE OUTLET BOX BE PROPERLY GROUNDED.

DO NOT REVERSE THE HOT AND NEUTRAL CONNECTIONS, OTHERWISE SAFETY WILL BE COMPROMISED.

This Integrated LED Fixture has no lamp/bulb to replace.



#### TROUBLESHOOTING

- Check that line voltage at fixture is correct.
- Ensure that there is voltage at lamp fixture wires. If there is no voltage, then check all connections.
- Check that fixture is grounded properly.

If fixture does not light:

- Check switch to ensure that there are no defects.
- Check fuse/circuit breaker for trips, then check wiring connections.



#### CLEANING AND MAINTENANCE:

CAUTION: Ensure fixture temperature is cool enough to touch. DO NOT clean or perform maintenance while fixture is energized.

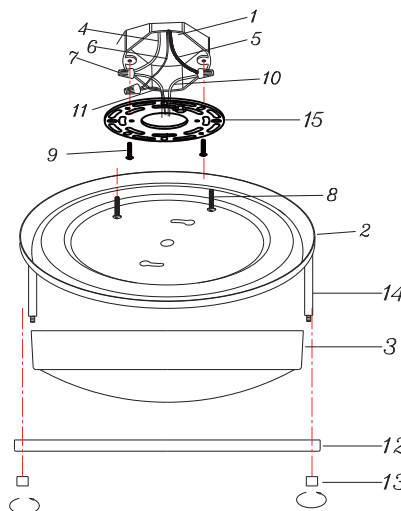
- Clean lens and fixture with non-abrasive cleaning solution.
- Do not open fixture to clean LED. Do not touch the LED.
- Do not spray liquid directly on to LED, LED driver or wiring.



### 5-Year Limited Warranty

**LIMITED WARRANTY:** This fixture is warranted to be free from defects in workmanship and material for up to 5-years. Based upon reasonable household usage, when used in accordance with package and included instructions. If this fixture does not last for the time period guaranteed, manufacture will send you a replacement fixture upon receipt of the returned fixture, register receipt, and proof of purchase. To contact us, please email us at [info@cloudybaylighting.com](mailto:info@cloudybaylighting.com) to find out how to return the fixture. We are committed to making high quality products. Returning the fixture will help us monitor and further improve product quality. This replacement is the sole remedy available, and LIABILITY FOR INCIDENTAL OR CONSEQUENTIAL DAMAGES IS HEREBY EXPRESSLY EXCLUDED.

Figure 1



1. OUTLET BOX (EXCLUDED)
2. FIXTURE PAN
3. LENS
4. WHITE SUPPLY WIRE
5. BLACK SUPPLY WIRE
6. HOUSE GROUND WIRE
7. WIRE NUTS
8. FIXTURE SCREW
9. MOUNTING BRACKET SCREW
10. WHITE FIXTURE WIRE
11. BLACK FIXTURE WIRE
12. FIXTURE GROUND WIRE
13. RING
14. CAP NUTS
15. Mounting Bracket(Use to convert fixture to 2inch or 2-3/4 inch Junction Box,optional)

↓ Please follow these steps for installation. ↓

Remove the fixture and the mounting package from the box and make sure that no parts are missing by referencing the illustrations on the installation instructions.

1. Pull the supply wires (4 & 5) and house ground wire (6) out from the outlet box (1).
2. Thread the fixture screws (8) into the appropriate threaded holes of the outlet box (1). (3-1/2 Inch Outlet Box)
3. Take out mounting bracket(15) from accessories package, thread mounting bracket to 2-3/4Inch or less outlet box with mounting bracket screws(9), then thread fixture screws to mounting bracket(15)(for 2-3/4 or less outlet box only)
4. Electrical connections, connect the black fixture black wire (10) to the black supply wire (5) and the white fixture wire (9) to the white supply wire (4) using wire nut (7).
5. Connect the fixture ground wire (11) to the supply ground wire (6) together using wire nut (7). Wrap all wire connections with electrical tape to ensure secure connection.
6. Carefully tuck all wires back into the outlet box. Place the fixture pan (2) over outlet box and feed fixture screws (8) through keyhole slots. Rotate the fixture pan(2) clockwise until screws(8) slid into the narrow end of the keyhole slots and tighten firmly.
7. Final assembly- Secure the lens (3) and ring (12) to fixture pan (2) using three cap nuts (13).
8. Installation complete, restore power at the circuit breaker and turn light switch on to activate this fixture.

Dimming- This product is compatible with most common residential type dimmers, dimming performance depends on dimmers.

Care and maintenance – Use dry and clean cloth to wipe the surface of the fixture.

Replacement- This LED product has no bulb to replace.

