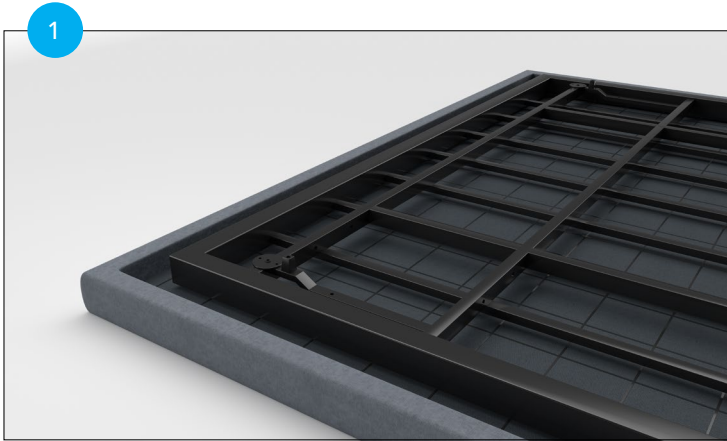
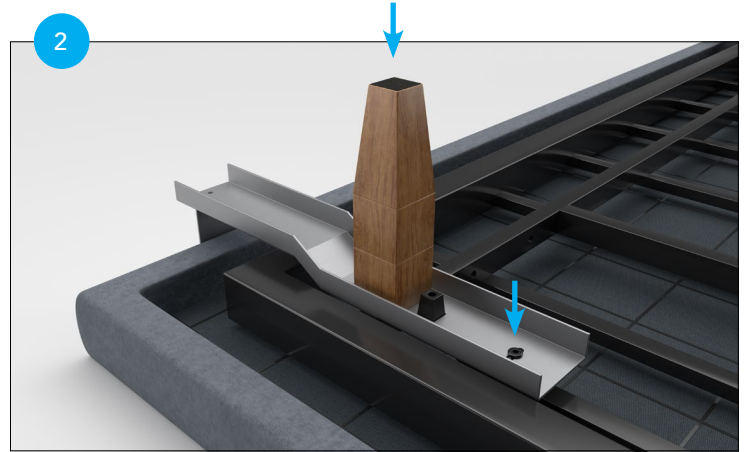


Please read all instructions and safety information carefully before use and assembly.



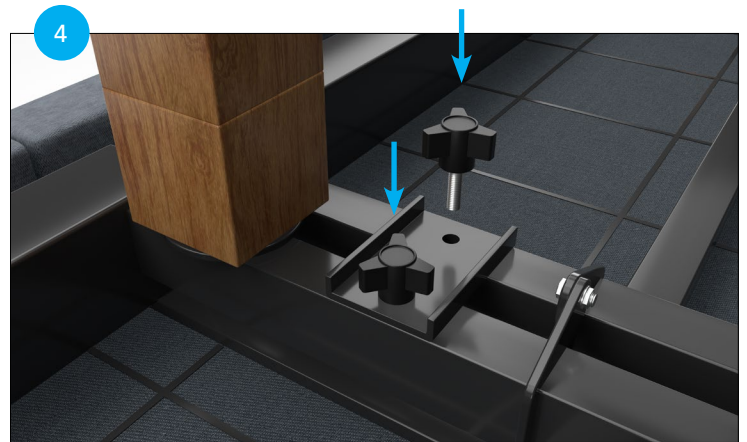
Lay the base flat, underside facing up



Align the bracket to the base. Screw in one (1) bolt and one (1) leg. Repeat on the other side.



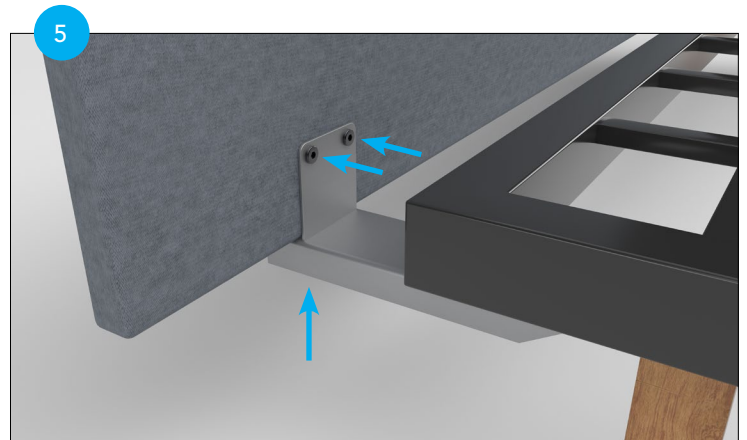
Screw in the remaining four (4) legs.



Align the bed frame reinforcement bracket to the middle of the base. Hand tighten both bolts. Repeat on the other side.



Flip the base right-side up. Plug the base into a power outlet and elevate the head. This will allow clear access needed in step 5.



Attach three (3) screws on each side of the headboard to secure it to the base. Done!