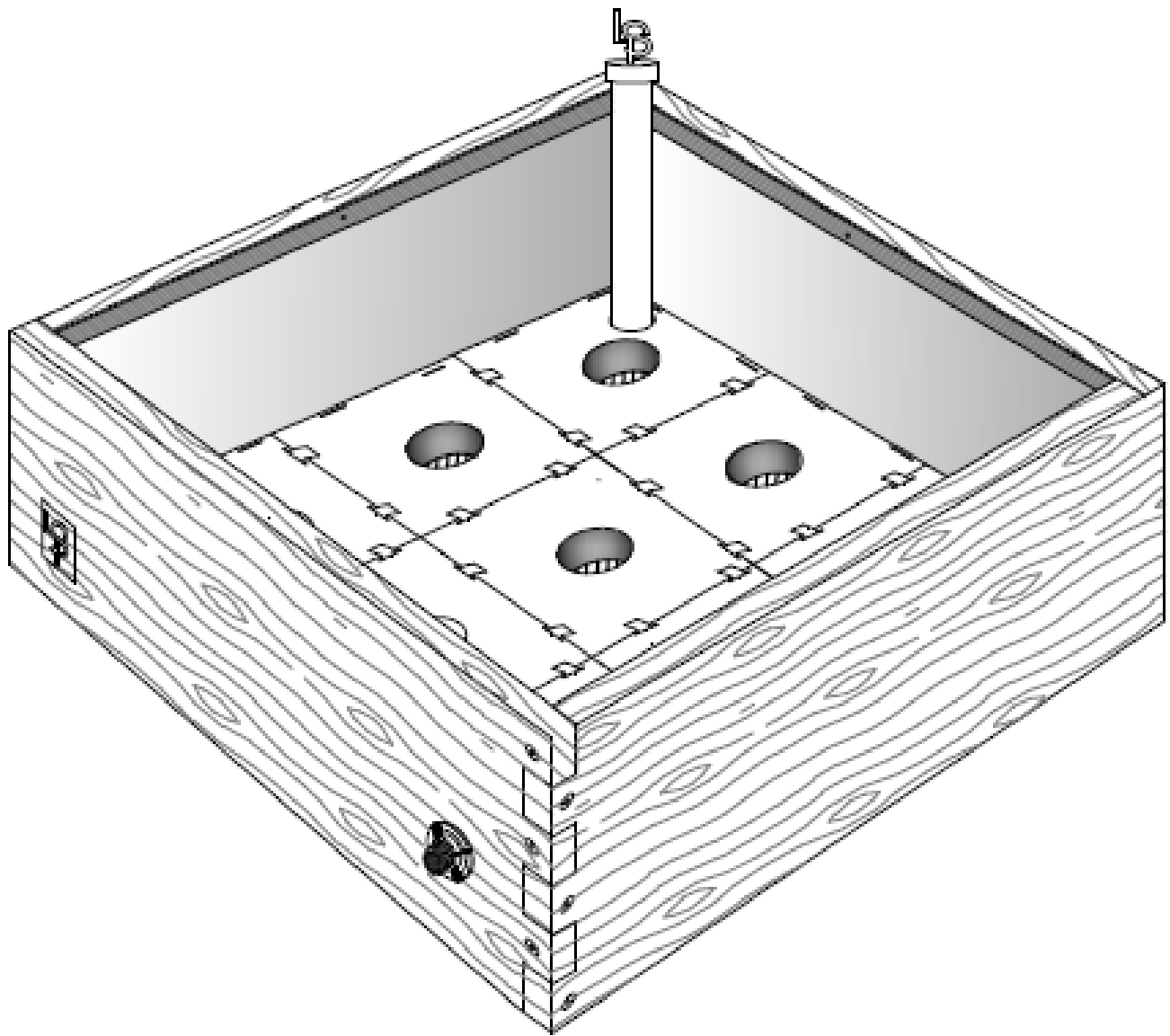




GardenWell

ASSEMBLY INSTRUCTIONS



REQUIRED TOOLS

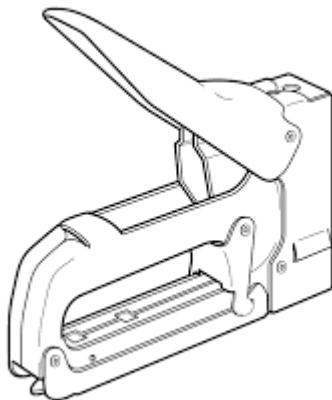
DRILL



CUTTING KNIFE

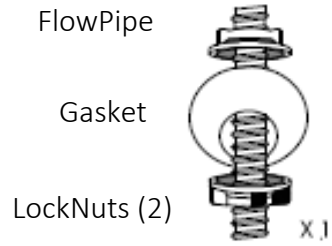


STAPLER or STAPLE GUN



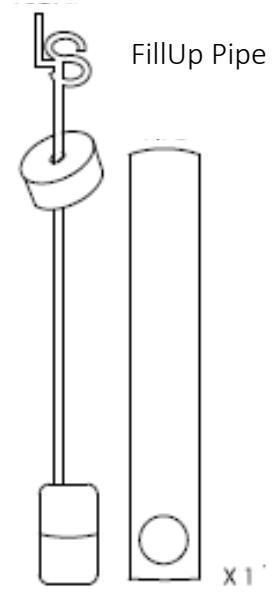
COMPONENTS

OverFlow

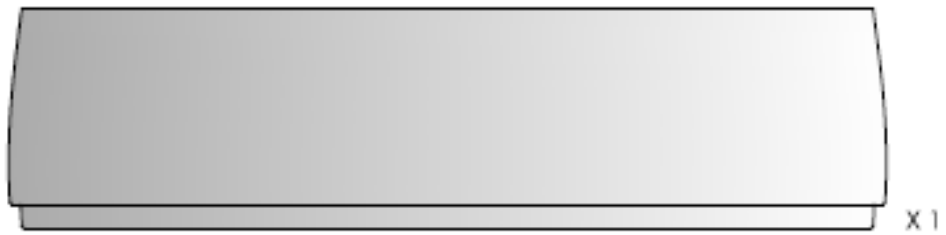


WaterStem

FloatGauge



FS Liner



GardenWell



COMPONENT FUNCTIONS



OverFlow

- Ensures the reservoir can never be overfilled
- Excess water can be redirected to avoid mess



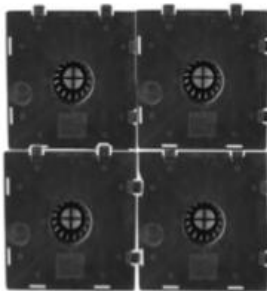
WaterStem & FloatGauge

- Allows for direct watering into the garden's reservoir
- FloatGauge lets you easily monitor the reservoir level & remove guess work



FS Liner

- Protects the outer wood or garden frame from moisture & soil
- Helps prevent rot and extends garden life
- Food-safe & waterproof material also functions as a barrier to contain water



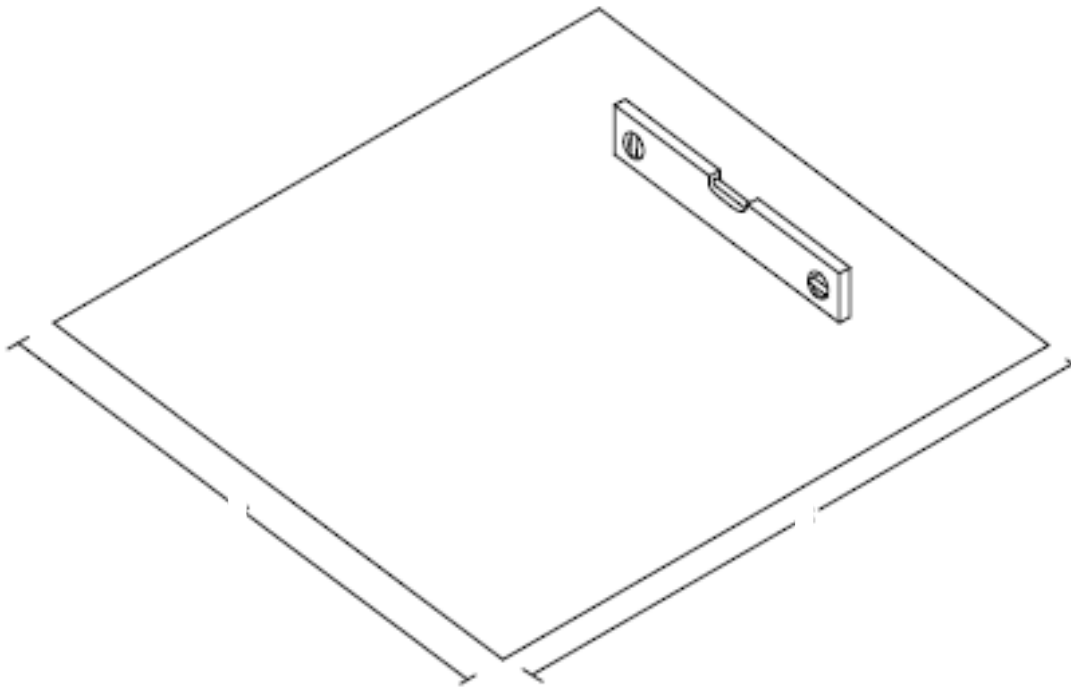
Wells

- Each 1' x 1' Well clicks together, giving us the ability to make custom sizes
- Water travels up from the reservoir via a contact point at each square foot

1. PREPARE LEVEL AREA

Your garden must be installed on a level surface for the reservoir to properly fill, the overflow to perform as intended, and to achieve even distribution as water wicks upward into the soil.

The GardenWell system mimics a natural water table underneath the soil. This allows water from the reservoir to wick up naturally via capillary action.



* FREE FROM SHARP OR UNEVEN OBJECTS

DO NOT PUNCTURE THE LINER

2. BUILD GARDEN BOX

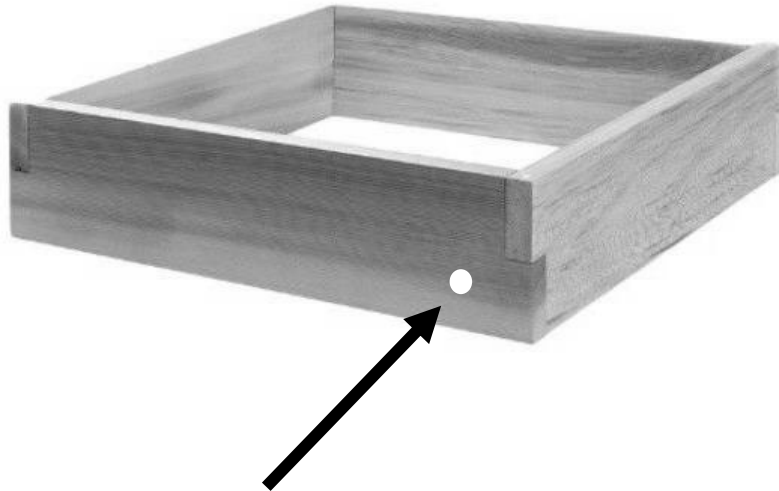


BUILD REQUIREMENTS

- Build box to full interior foot to ensure GardenWell inserts fit perfectly
- Box material thickness must be no more than 1.5"
- Box height must be between 12-16"

*Your Garden Box will have a 3" water reservoir depth (below GardenWells)
& a soil depth of 8-12" (above GardenWells)*

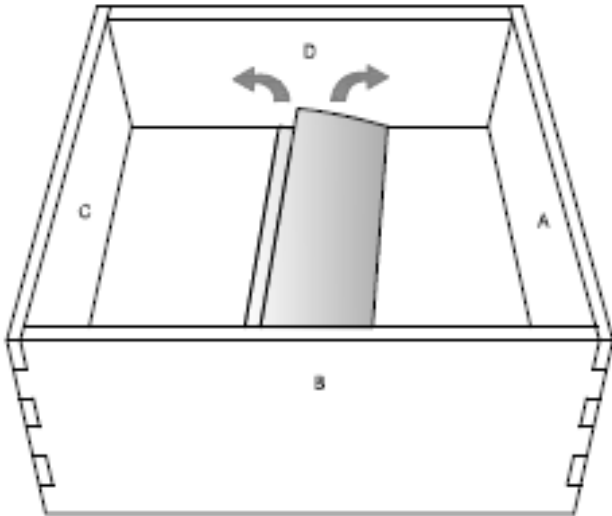
3. DRILL OVERFLOW HOLE



HOLE SPECIFICATIONS

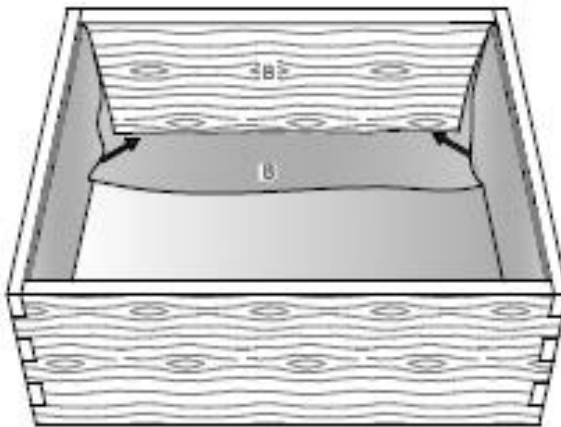
- Hole **MUST** be drilled at **3 inches up from bottom** of garden
- If building a bottom for your box, consider material thickness so that Overflow hole is drilled 3 inches up from the inner bottom
- Hole **MUST** be 1 inch diameter

4. PLACE AND UNFOLD LINER



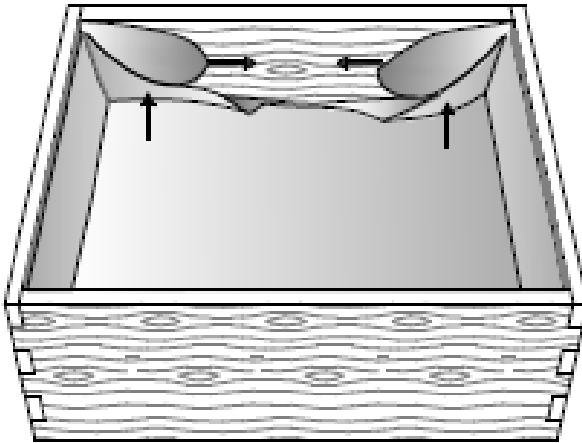
- Carefully unfold Liner in box
- Match creases on Liner with edges of box

ACTION A



5. PLACE AND UNFOLD LINER cont...

ACTION B

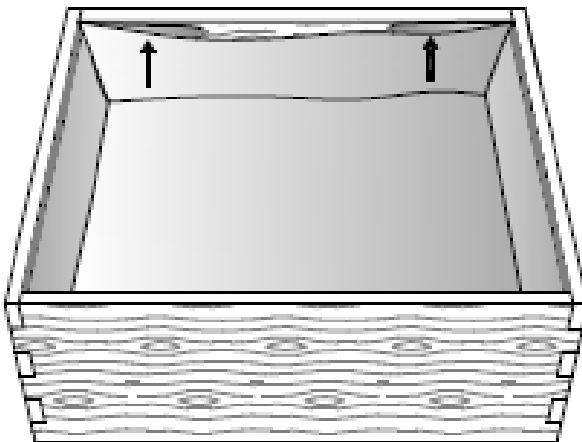


IMPORTANT

You want to create a completely waterproof environment.

FOLD LINER UP at corners to create triangle. Ensure all Liner **EDGES** are installed **UPWARDS** so that water cannot escape

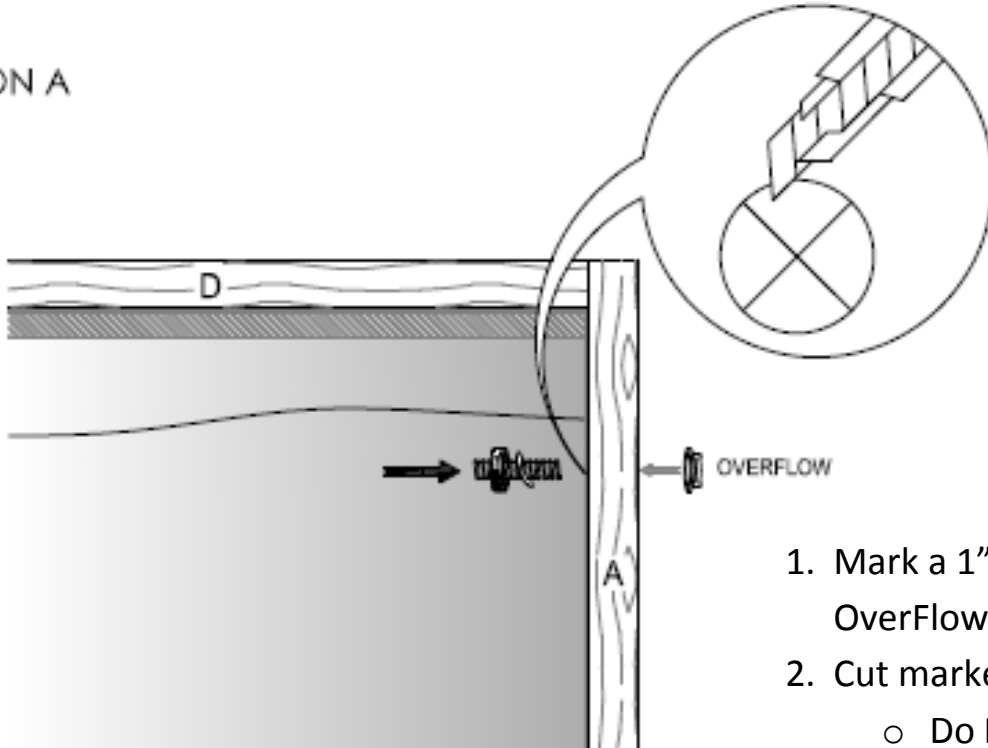
ACTION C



- Once Liner is folded up to fit box, secure Liner to box with staples
- Staple Liner to box every 6 inches at the top edge of each side of the box

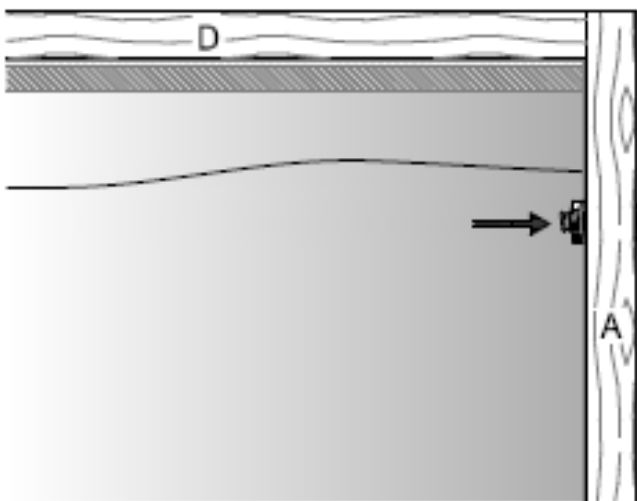
6. CUT OVERFLOW HOLE

ACTION A



1. Mark a 1" diameter X on Liner at OverFlow hole
2. Cut marked X in Liner
 - o Do **NOT** cut larger than hole to avoid leaks

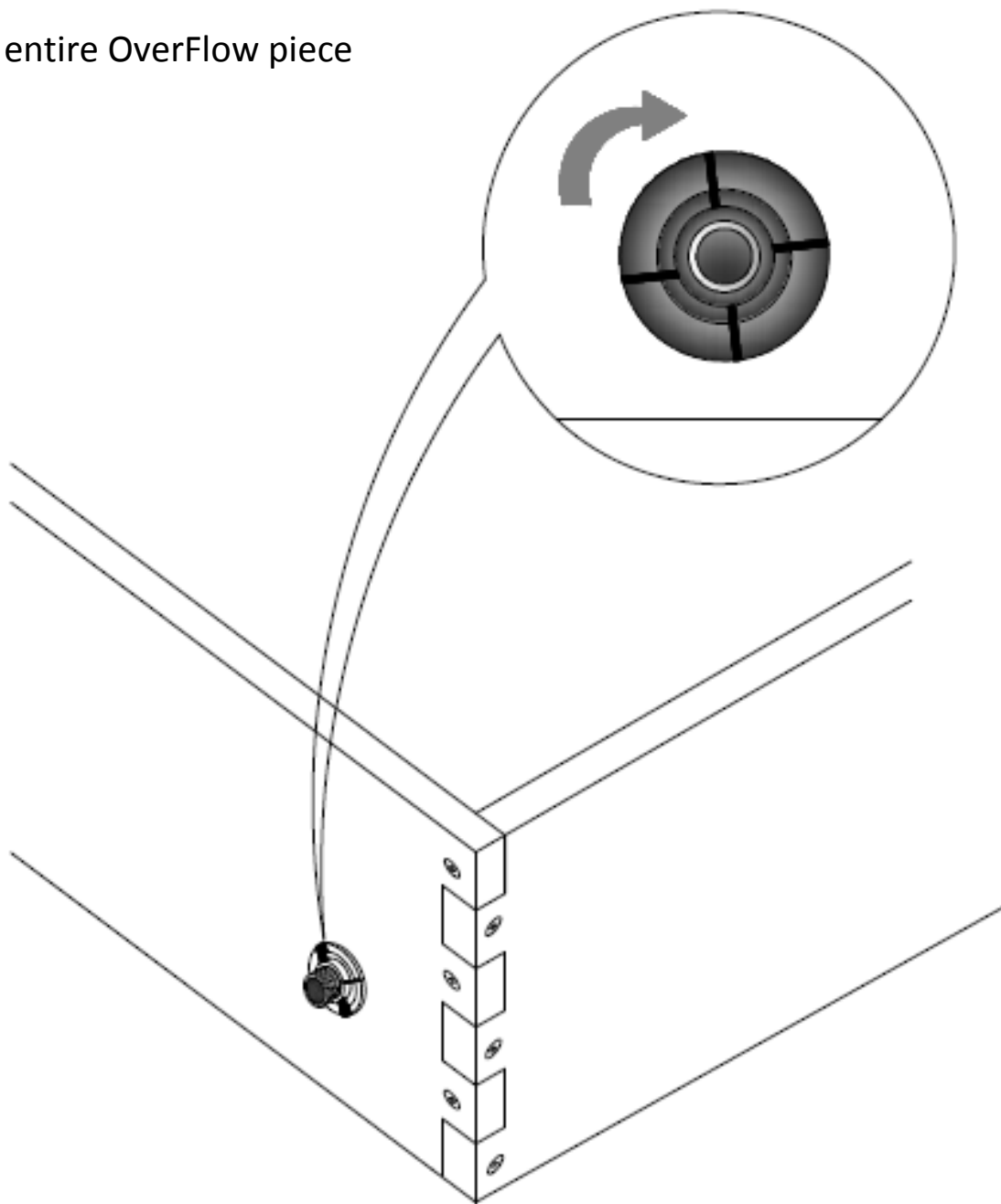
ACTION B



3. Insert threaded OverFlow pipe through Liner and box hole
4. Place Gasket and 1 LockNut on **inside** of Garden to secure Liner tight against box
5. Place the other LockNut on **outside** of box to secure the entire OverFlow valve into place

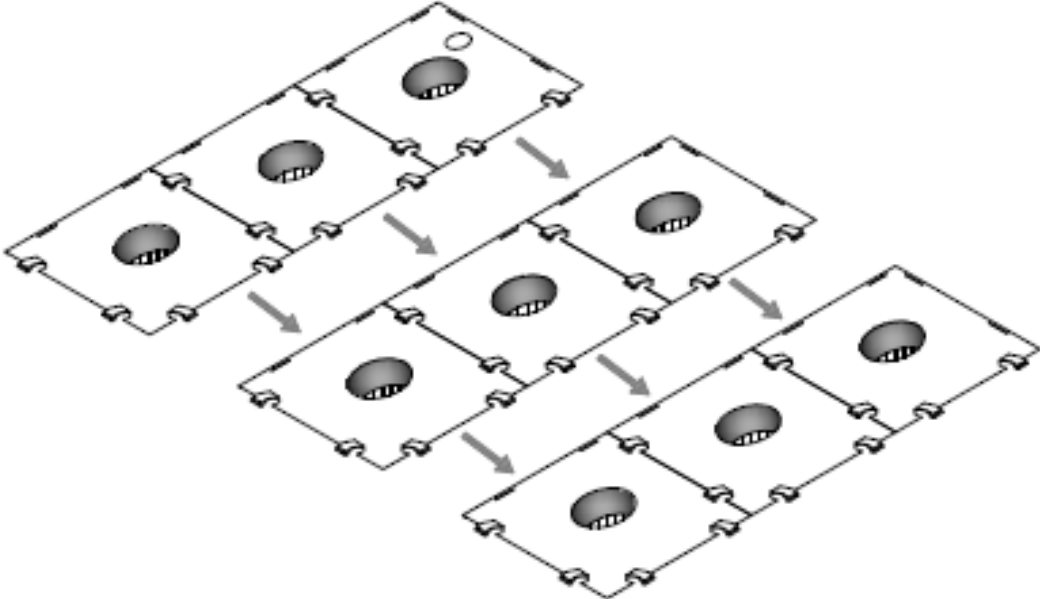
7. THREAD OVERFLOW VALVE

Tighten LockNuts to secure
entire OverFlow piece

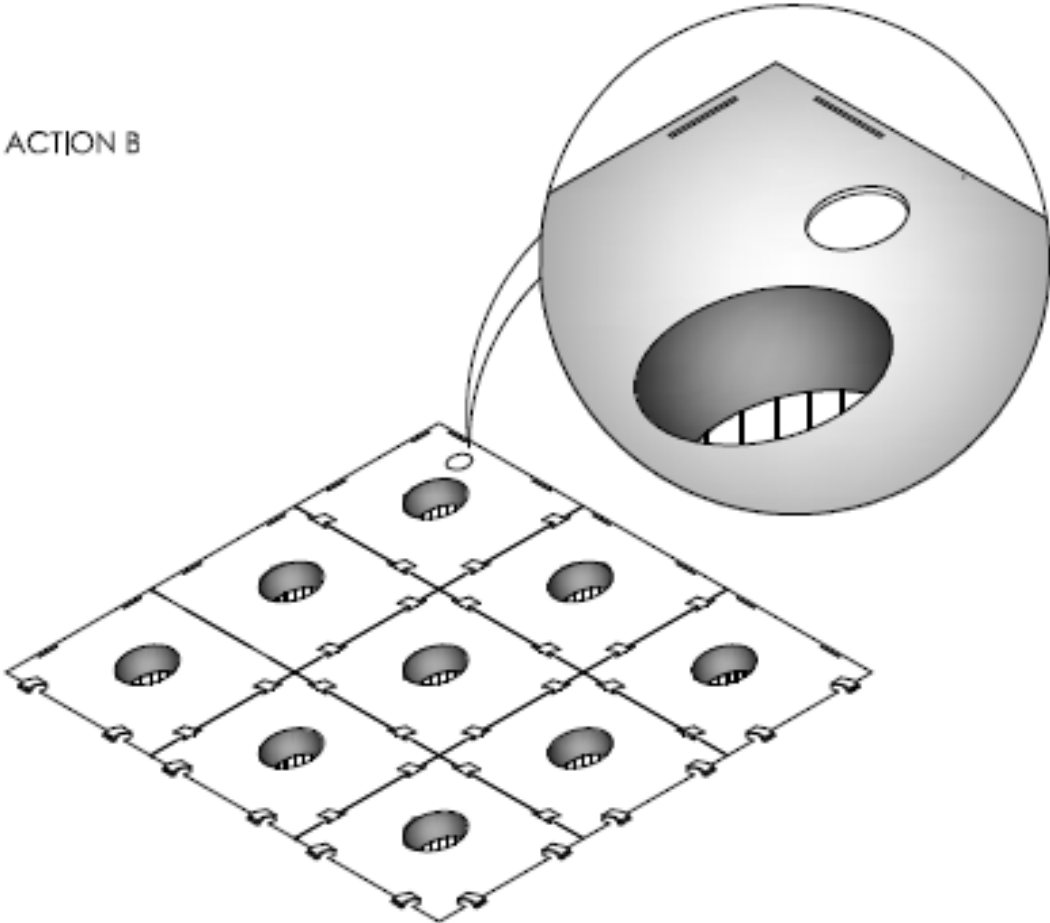


8. SNAP GARDENWELLS TOGETHER

ACTION A

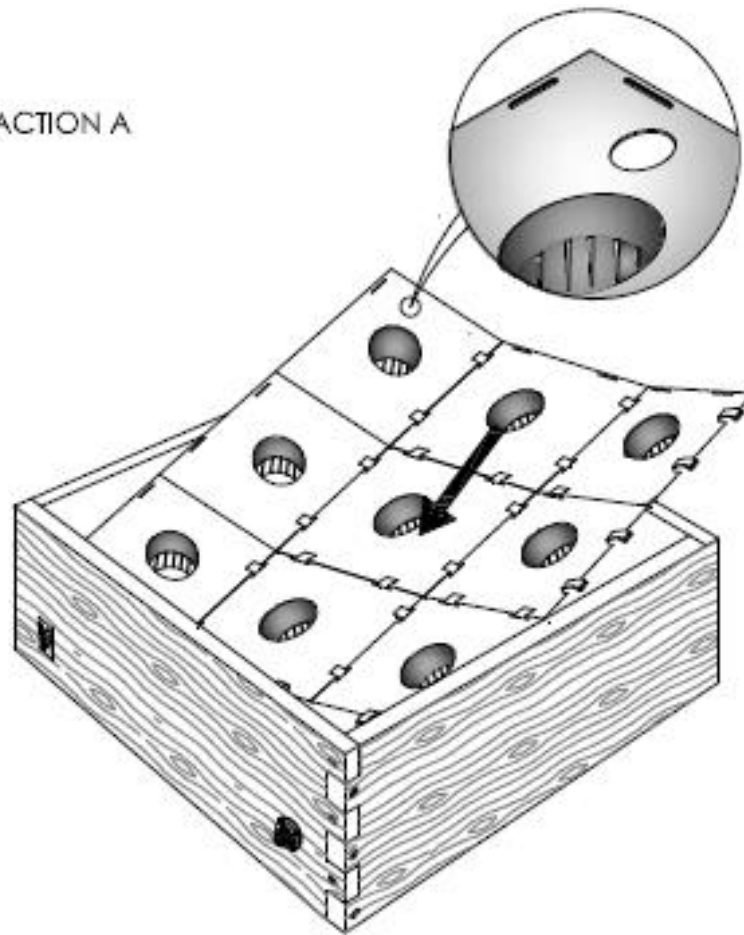


ACTION B

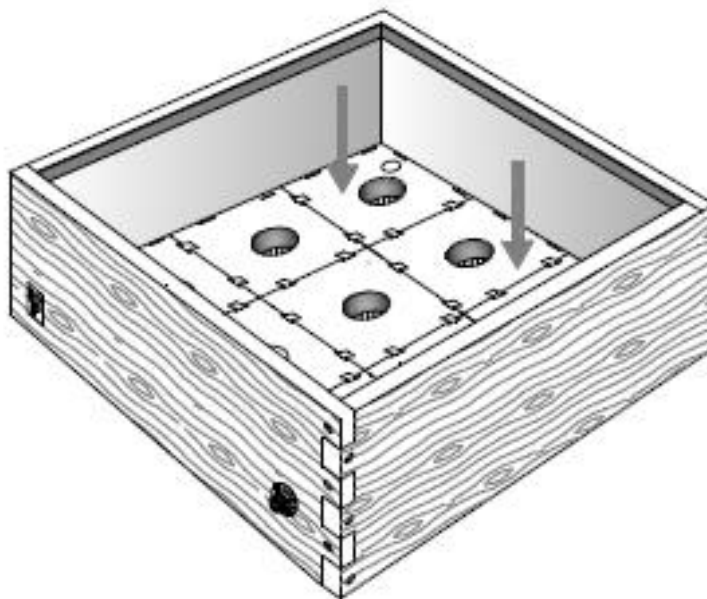


9. PLACE GARDENWELLS INTO BOX

ACTION A

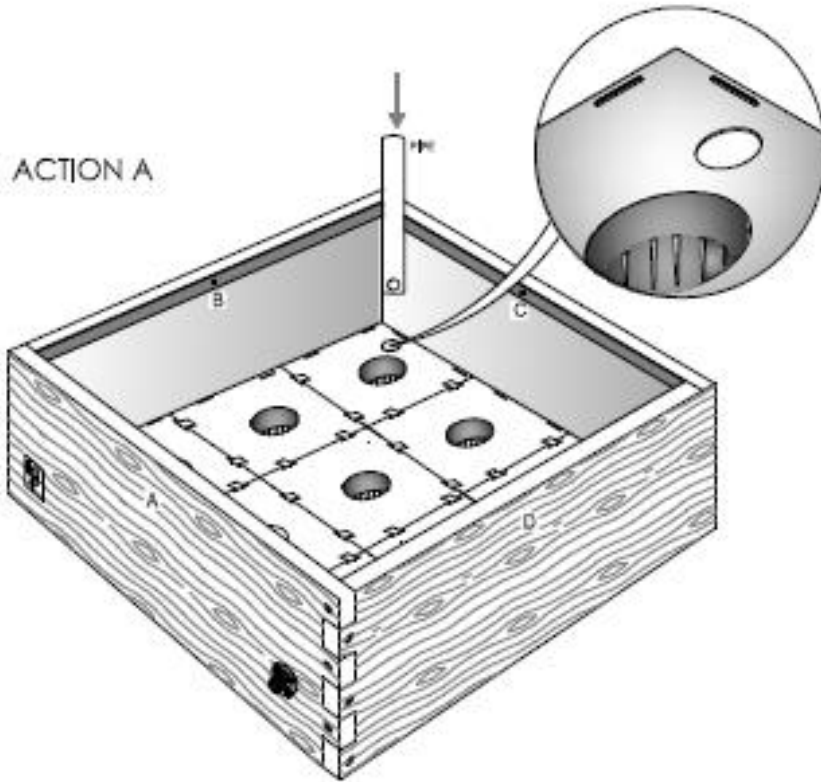


ACTION B

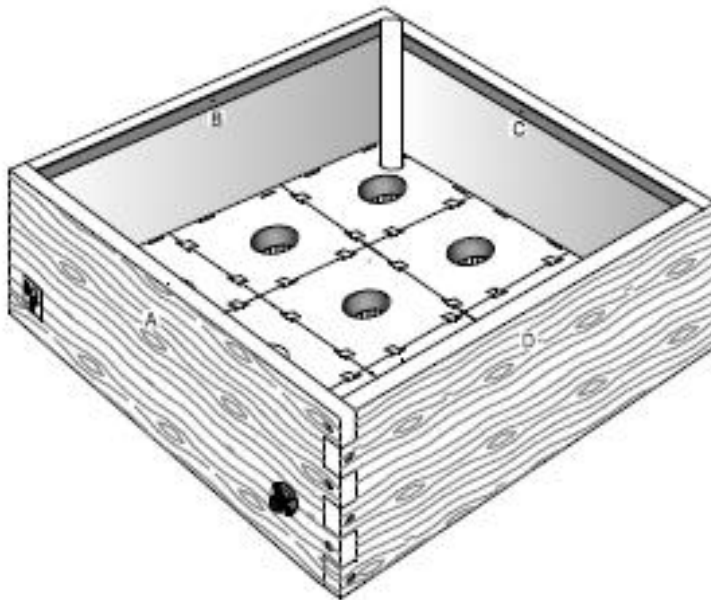


10 – A. PLACE WATERSTEM INTO GARDENWELL

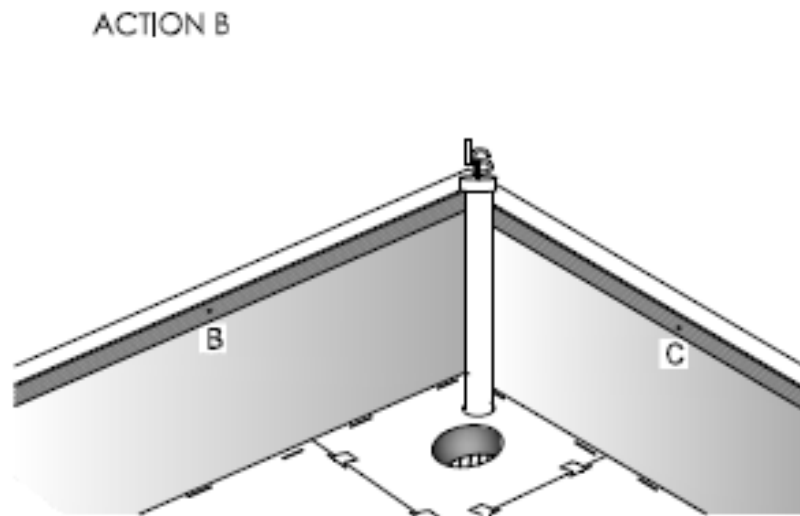
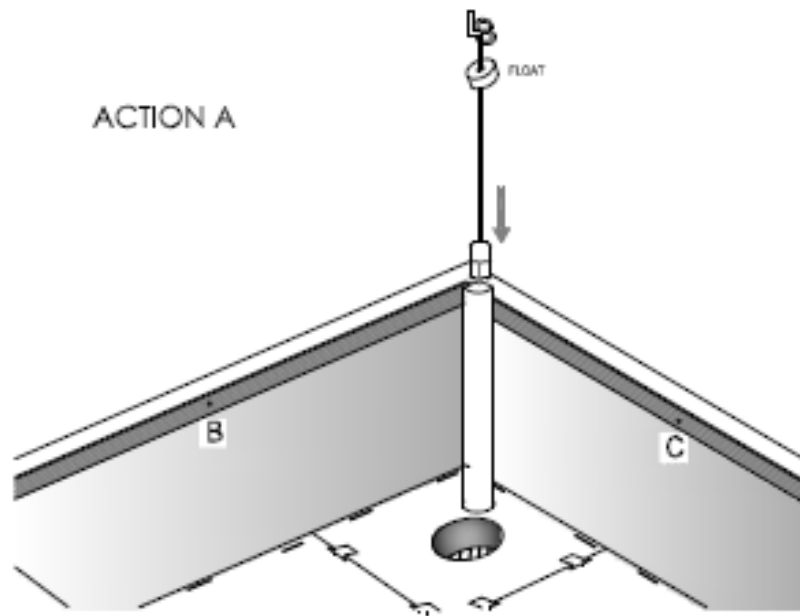
1



ACTION B

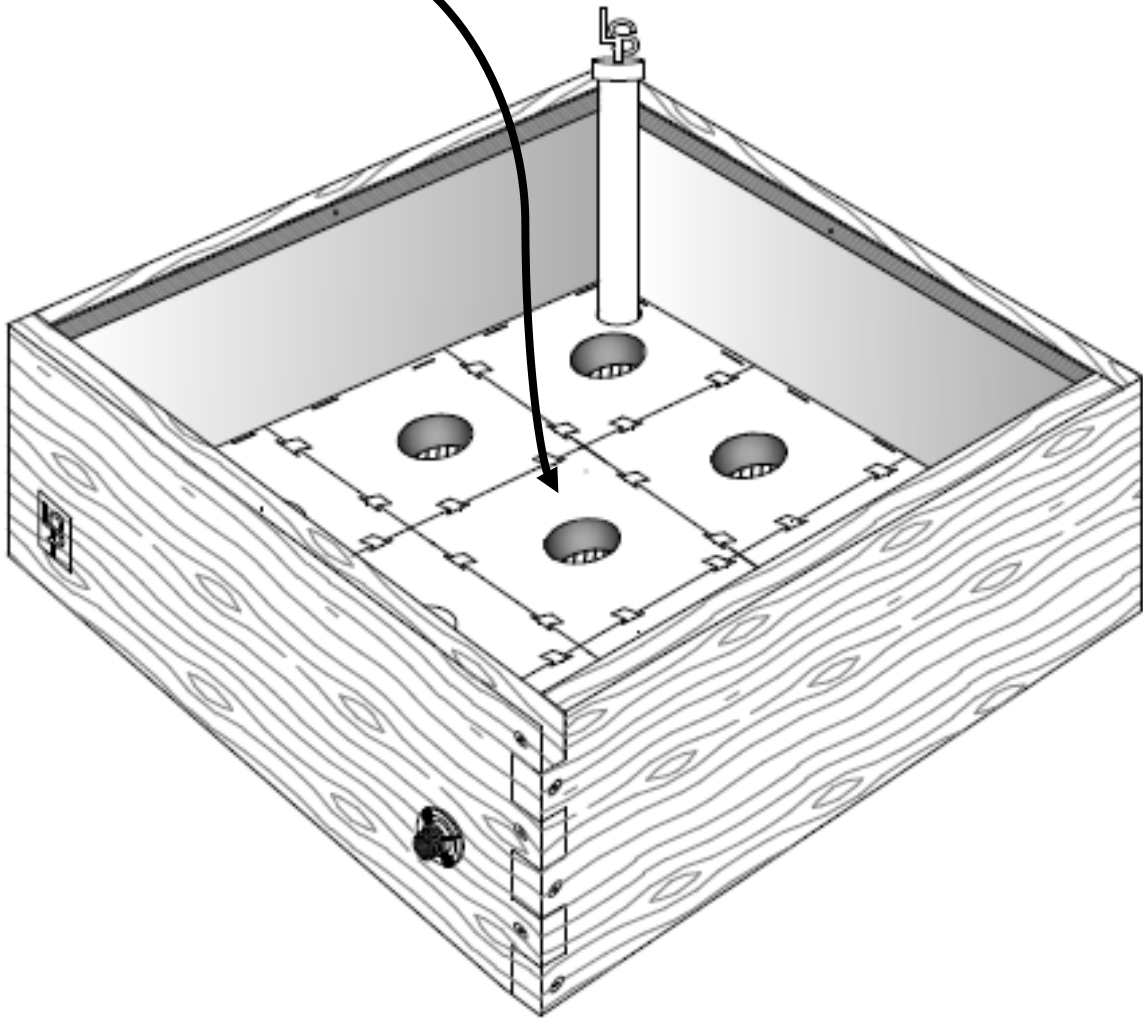


10 – B. PLACE FLOAT INTO WATERSTEM



11. ADD WICKING MEDIUM*

Add scoop of Wicking Medium*
to fill center contact point of
each GardenWell



*** Suitable Wicking Mediums**

- Vermiculite
- Peat Moss & Coconut Coir mix
- Container Blend or Potting mix

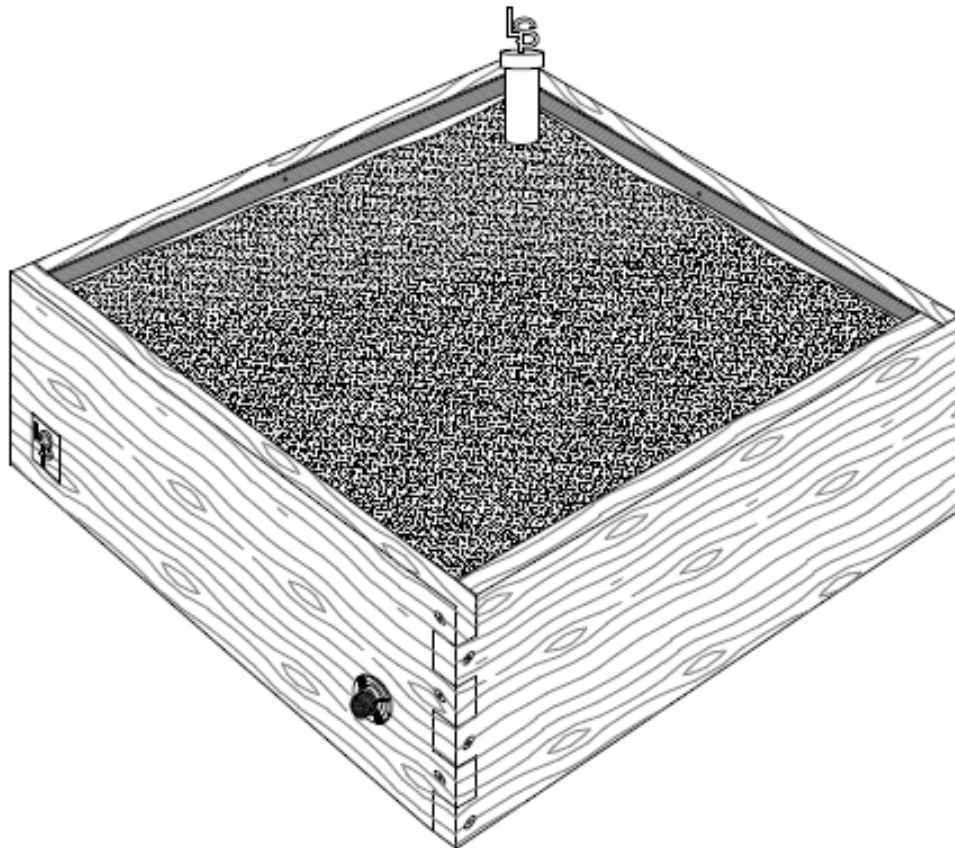
12. ADD SOIL MIXTURE

Fill garden with high-quality organic Container Blend or Potting Mix

SOIL MIXTURE RECIPES:

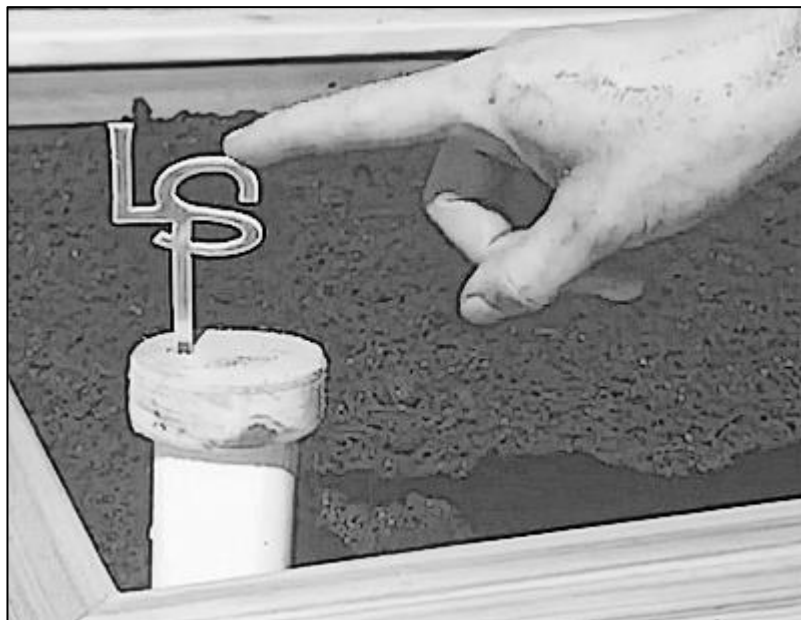
1) 1 part organic compost
1 part peat moss & coconut coir
1 part vermiculite

2) 1 part organic compost
2 part peat coir
.5 part perlite



13. PREPARE GARDEN FOR GROWING

1. Top water the soil of your garden slowly and deeply to saturate. This kicks in the self-watering system. Let rest overnight.
2. In the morning, fill the water reservoir by taking the cap off the WaterStem and pouring water in. The reservoir is full when water starts pouring out the OverFlow.
3. Your LifeSpace FloatGauge will now tell you when to fill the reservoir!



14. GET PLANTED!



Visit www.LifeSpaceGardens.com for advice, veggie database,
& seasonal Growing Guides to help you get planted!

P 604 770 3090

E info@lifespacegardens.com

 [@lifespacegardens](https://www.instagram.com/lifespacegardens)