

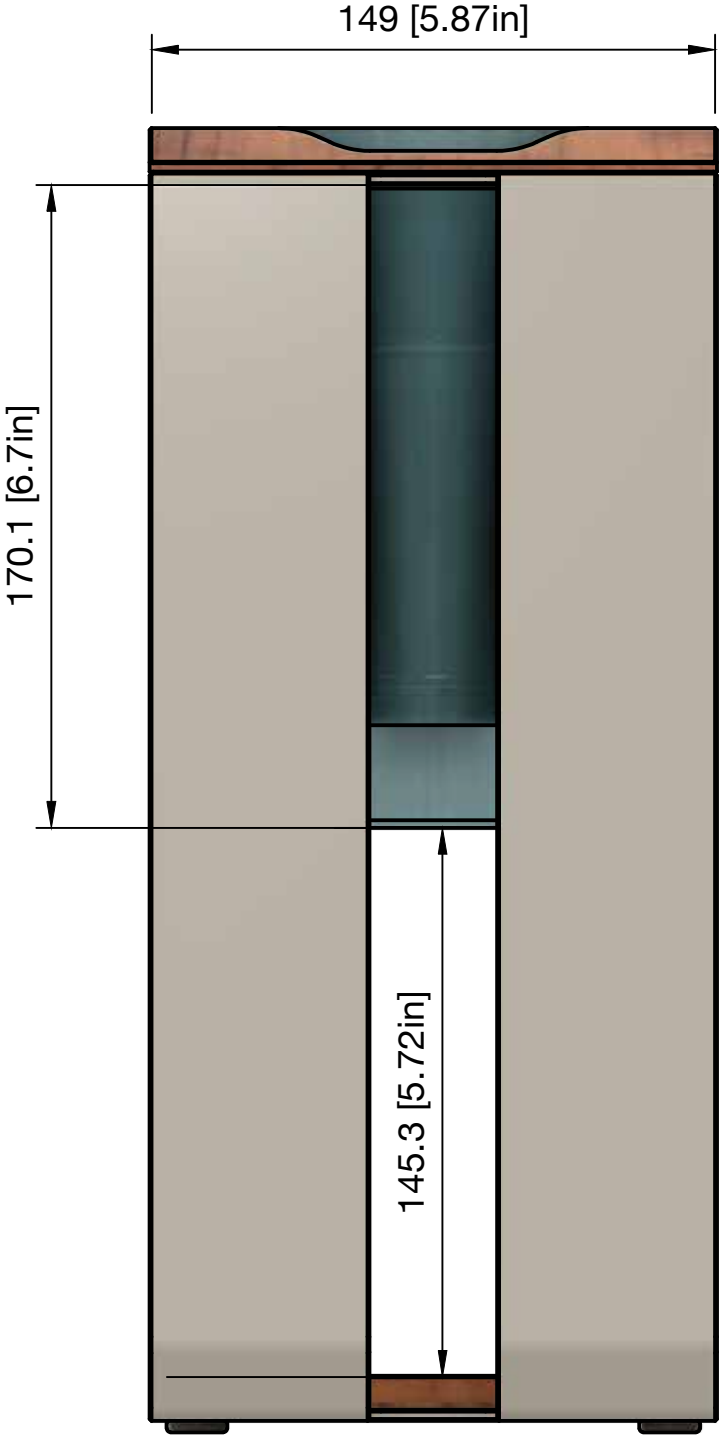
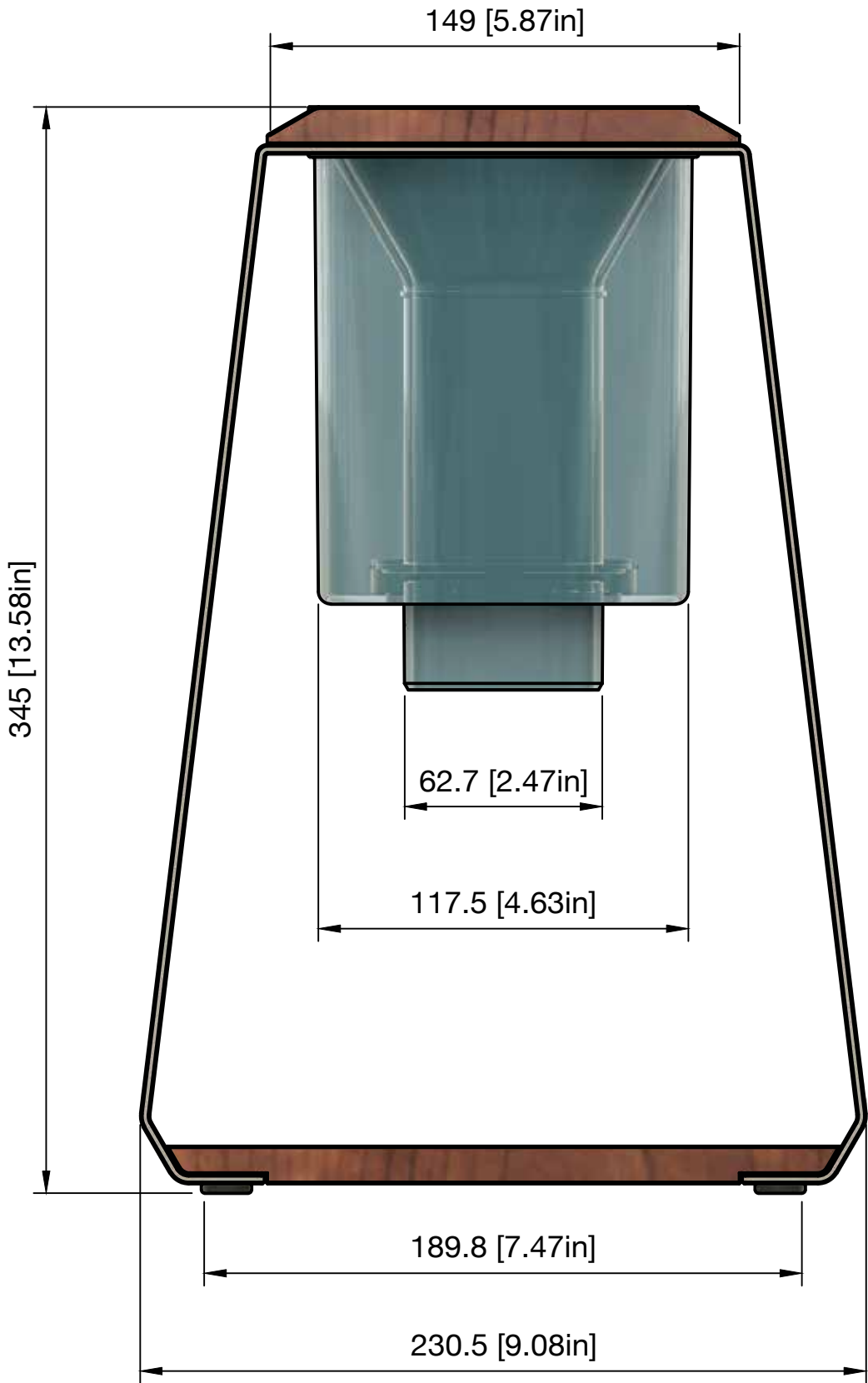


Features.



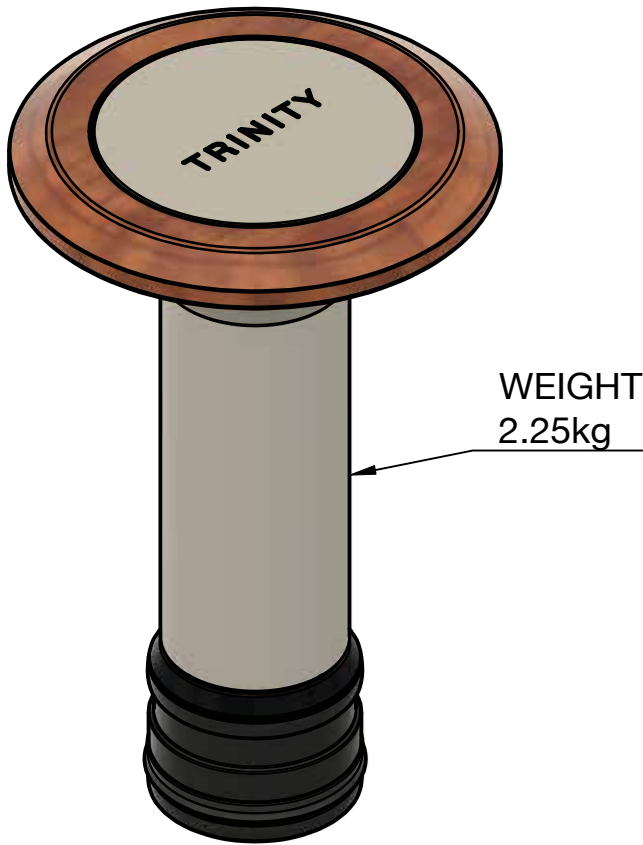
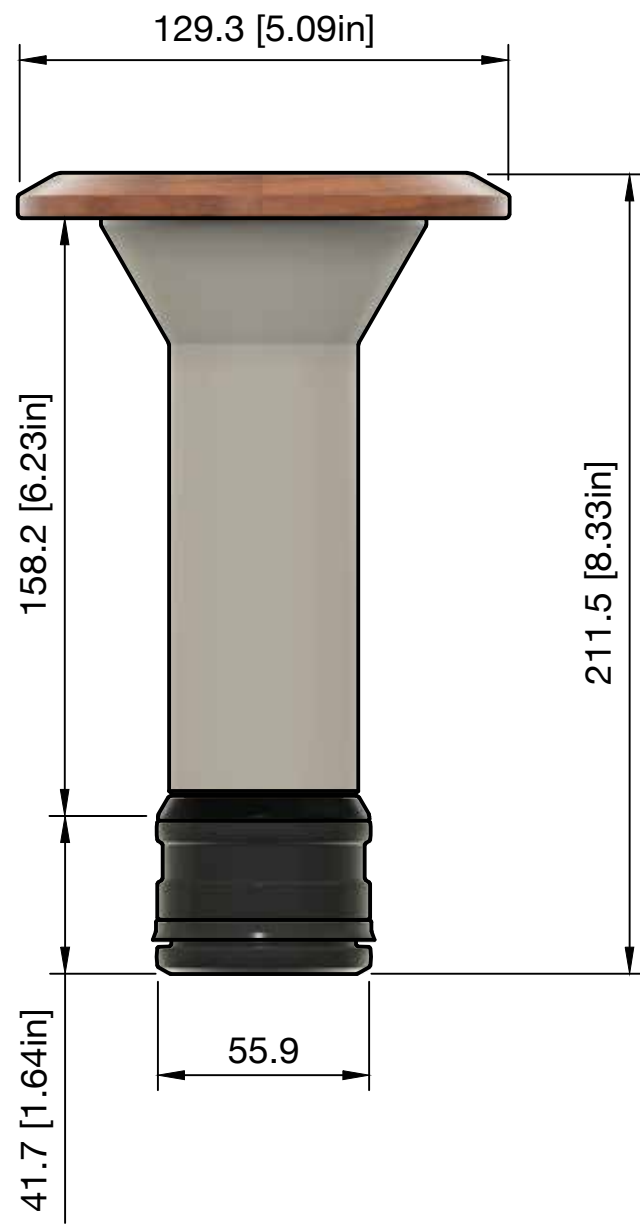
# Brew Chamber and Stand.

The Brew Chamber is moulded Tritan® copolyester, an extremely durable BPA-Free material, to meet the pressure and temperature demands of brewing great coffee. The stand is made from high quality 304 Stainless Steel and American sourced Black Walnut Heartwood timber.



# Press Cylinder and Cap.

Trinity™ ONE is the first coffee maker that can press by itself for consistent and repeatable results. This is achieved by the 2.25kg Press Cylinder which is made from individually cast 304 stainless steel, with highlights of American sourced Black Walnut Heartwood timber.

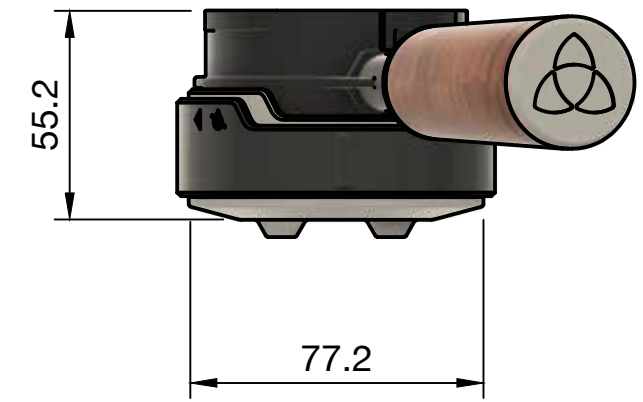
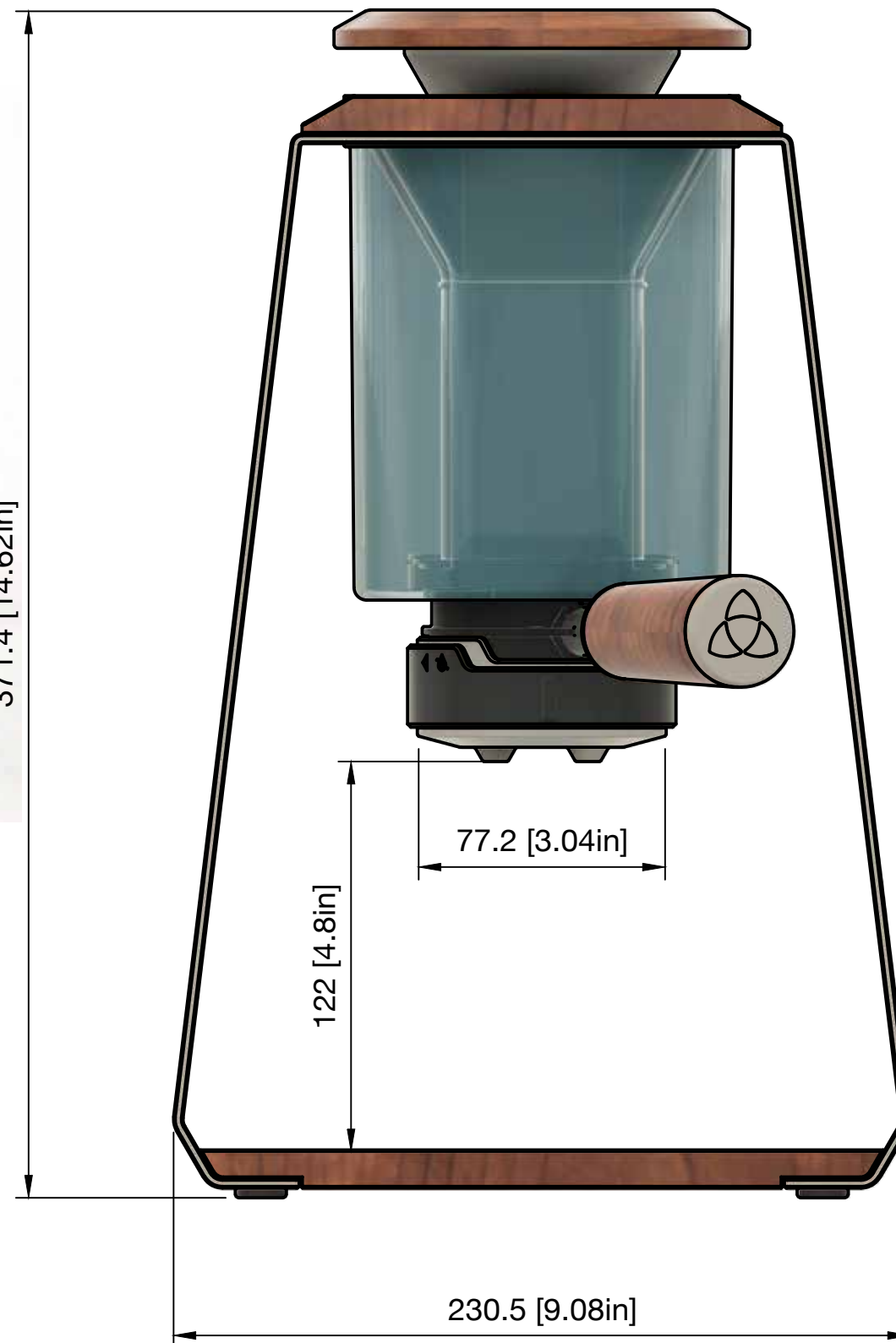


# Filter Housing.

The Filter Housing is designed to suit AeroPress® filters and includes a hands-on flow control feature for immersion brewing. A unique non-bypass filter design means no sediments or fines can escape the filtering process for a clean and delicious filtering result.



371.4 [14.62in]



Contact us at [hello@trinitycoffee.co](mailto:hello@trinitycoffee.co) if you have any questions regarding features of Trinity ONE.

Questions?