

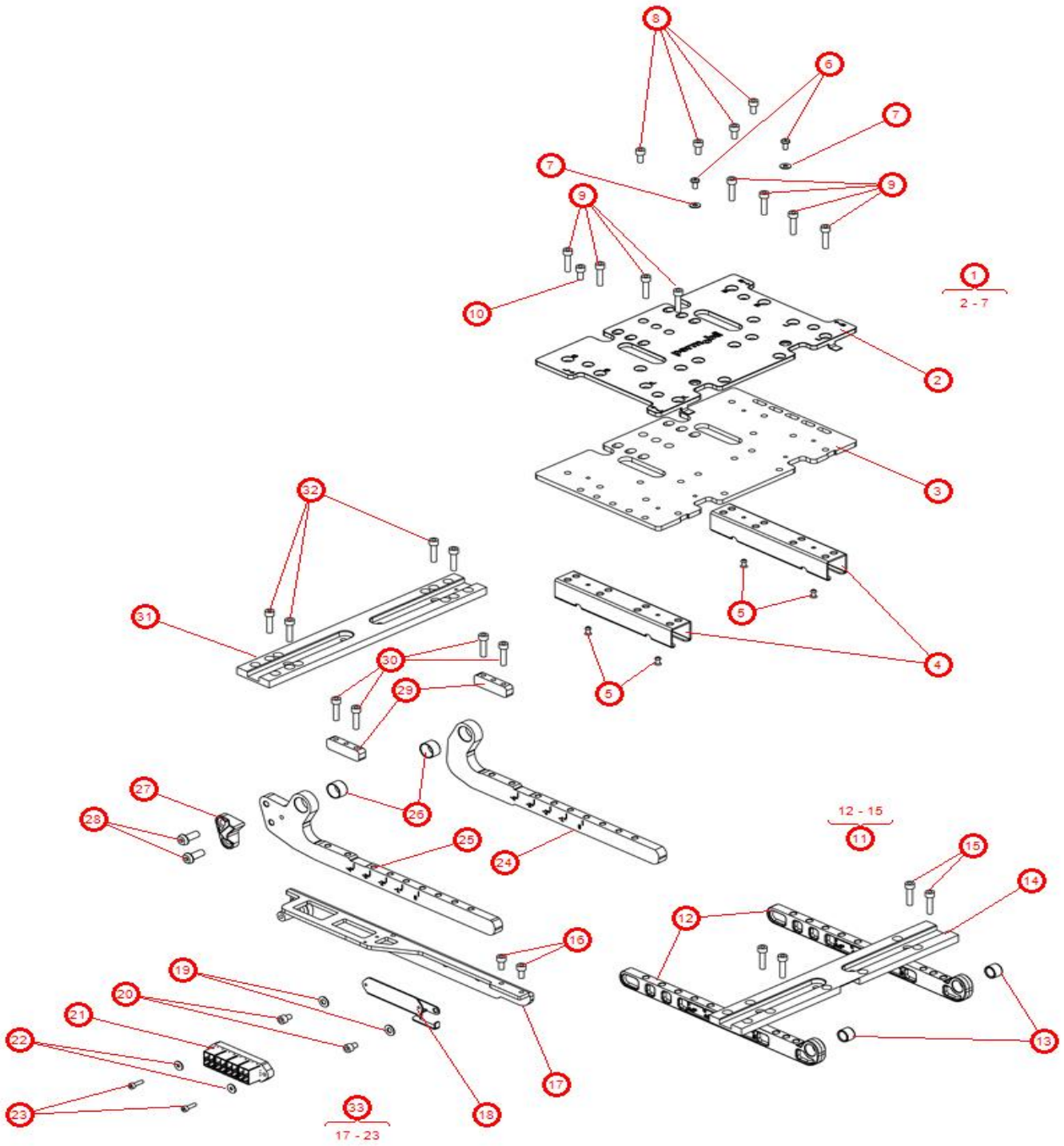
Spare Parts Catalog

Online Books > Illustrated Part Catalogs > Corpus VS > Seat plate

Drawing

Last update: 1/12/2015 7:32:15 AM

Version: 1.0.0



Positions

Pos	Part	Description	Qty	Sell
1.1	1831117	SEAT FRAME PLATE, KIT CORPUS, CORPUS VS	1	
2.1	323642	PLATE	1	No
3.1	323641	PLATE	1	No
4.1	318615	KONSOL	2	No
5.1	613771	BLIND RIVET O4,0x13,5	4	No
6.1	601353-99-0	BOLT K6S 5x10 fzb	2	
7.1	614049	PLAIN WASHER NFE 25513 Fe/Zn 5,3x12x1	2	No
8.1	600192-99-0	BOLT MC6S 6x12 fzb	6	
9.1	600195-99-0	BOLT MC6S 6x25 fzb	8	
10.1	600192-99-0	BOLT MC6S 6x12 fzb	1	
11.2	1831269	SEAT FRAME ADJUSTABLE FRONT, CORPUS, CORPUS VS	1	
12.1	318555	BRACKET	2	No
13.1	613758	SLIDE BEARING 12/16x12 PDE	2	No
14.1	1831118	BAR, SEAT FRAME, EACH CORPUS, CORPUS VS	1	
15.1	600195-99-0	BOLT MC6S 6x25 fzb	4	
16.1	600192-99-0	BOLT MC6S 6x12 fzb	2	
17.1	323265	BRACKET	1	No
18.1	319145	BRACKET JUNCTION BOX	1	No
19.1	614050	PLAIN WASHER NFE 25513 Fe/Zn 6,4x14x1,2	2	No
20.1	601359-99-0	BOLT MC6S 6x 8 fzb	2	
21.1	1821304	8 PORT JUNCTION HUB ICS w/oBOLTS,CII/C3G,PS,VS,MX	1	
22.1	600829-99-0	WASH BRB 4.3x12x1	2	
23.1	614651	SCREW ISO 4762 M4x14 Fe/Zn	2	No
24.1	1831102	BRACKET, ADJUSTABLE, SEAT FRAME,REAR LEFT,CORPUS/VS		
25.1	1831103	BRACKET, ADJUSTABLE, SEAT FRAME,REAR RIGHT,CorpusVS1		
26.1	1831256	SLIDE BEARING, BACKREST FRAME, CORPUS/VS	6	
27.1	323277	STOP	1	No
28.1	601340-99-0	BOLT K6S 8x20 fzb	2	
29.1	318629	NUT M6(3x) 10x15x60	2	No
30.1	600195-99-0	BOLT MC6S 6x25 fzb	4	
31.1	1831414	BAR SEAT FRAME REAR, EACH CORPUS, CORPUS VS	1	
32.1	600195-99-0	BOLT MC6S 6x25 fzb	4	
33.1	1831831	BRACKET LEGREST ACTUATOR INCL ICS HUB, CORPUS/VS	1	

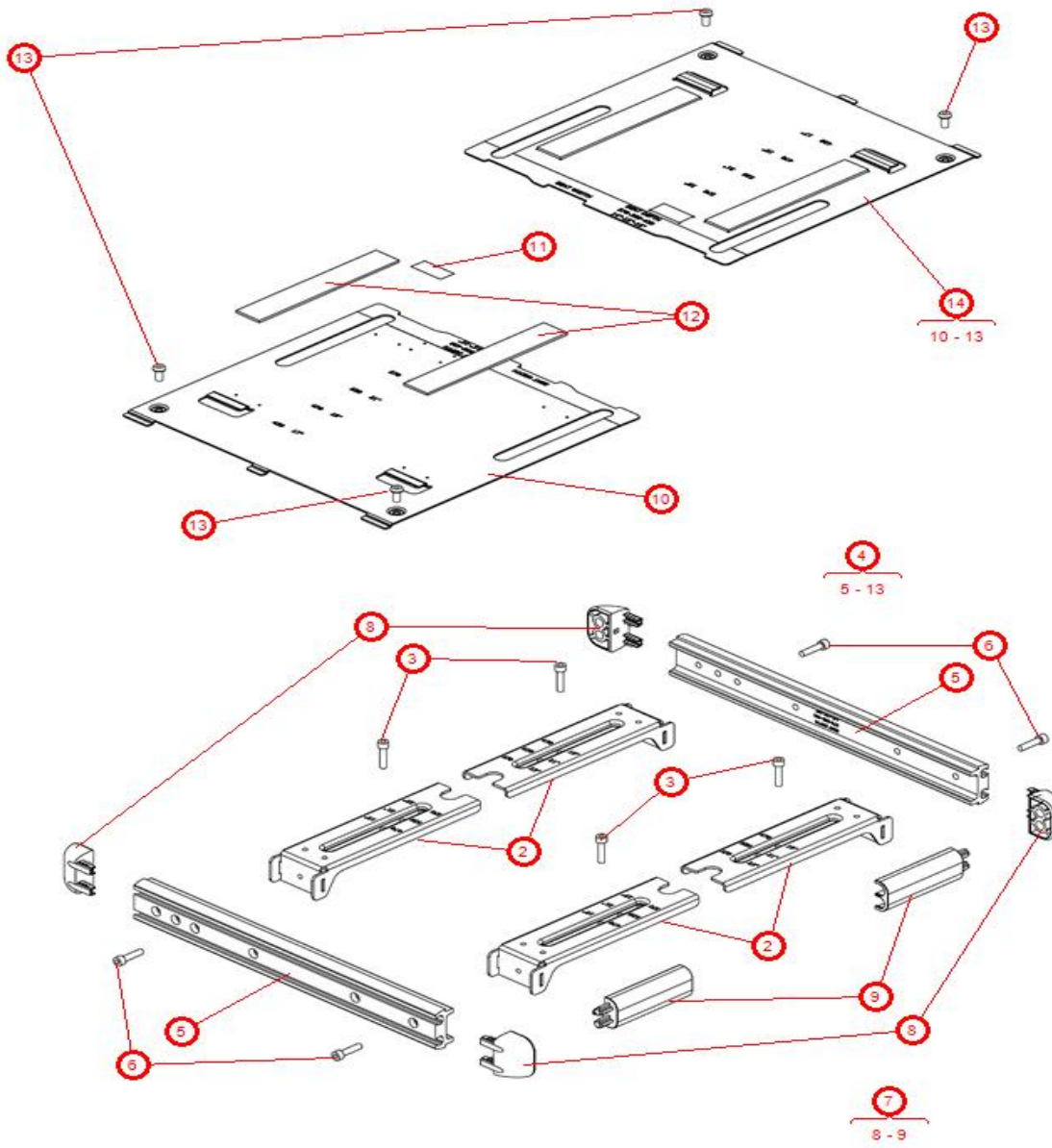
Spare Parts Catalog

Online Books > Illustrated Part Catalogs > Corpus VS > Seat widening

Drawing

Last update: 1/13/2015 3:34:35 PM

Version: 1.0.0



Positions

Pos	Part	Description	Qty	Sell
2.1	1831279	WIDTH PLATE, 17"-23",EACH CORPUS, CORPUS VS	1	
2.2	1825586	WIDTH PLATE, 19-23"W, EA. CORPUS/3G	1	
3.1	600195-99-0	BOLT MC6S 6x25 fzb	1	
4.1	1828883	SEAT FRAME ADJ DEPTH KIT 14"/15"/16",CORPUS/3G/VS	1	
4.2	1828884	SEAT FRAME ADJ DEPTH KIT 17"/18"/19",CORPUS/3G/VS	1	
4.3	1828885	SEAT FRAME ADJ DEPTH KIT 20"/21"/22", CORPUS/3G/VS	1	
5.1	1829060	UNITRACK BAR, 14"-15"-16" SEAT DEPTH, CORPUS/3G/VS	2	
5.2	1829061	UNITRACK BAR, 17"-18"-19" SEAT DEPTH, CORPUS/3G/VS	2	
5.3	1829062	UNITRACK BAR, 20"-21"-22" SEAT DEPTH, CORPUS/3G/VS	2	
6.1	600195-99-0	BOLT MC6S 6x25 fzb	1	
7.1	1826126	SEAT FRAME KIT, PLASTIC PLUGS(4) & COVERS(2),C/3G	1	
8.2	1827491	PLASTIC PLUG, SEAT FRAME CORPUS/3G	1	
9.1	319197	Cover	1	No
10.1	321436	Seatplate depth=370-395-420	1	No
10.2	321438	Seatplate depth=445-470-495	1	No
10.3	321442	Seatplate depth=520-545-570	1	No
11.1	315074	Sticker	1	No
11.2	1826135	Sticker kit	1	No
12.1	320129	Velcro tape W=30 L=180mm	1	No
13.1	600736-99-0	BOLT K6S 6x10 fzb	1	
14.1	1829057	SEAT PLATE DEPTH , EACH 14"-15"-16", CORPUS	2	
14.2	1829058	SEAT PLATE DEPTH, EACH 17"-18"-19", CORPUS	2	
14.3	1829059	SEAT PLATE DEPTH, EACH 20"-21"-22", CORPUS	2	

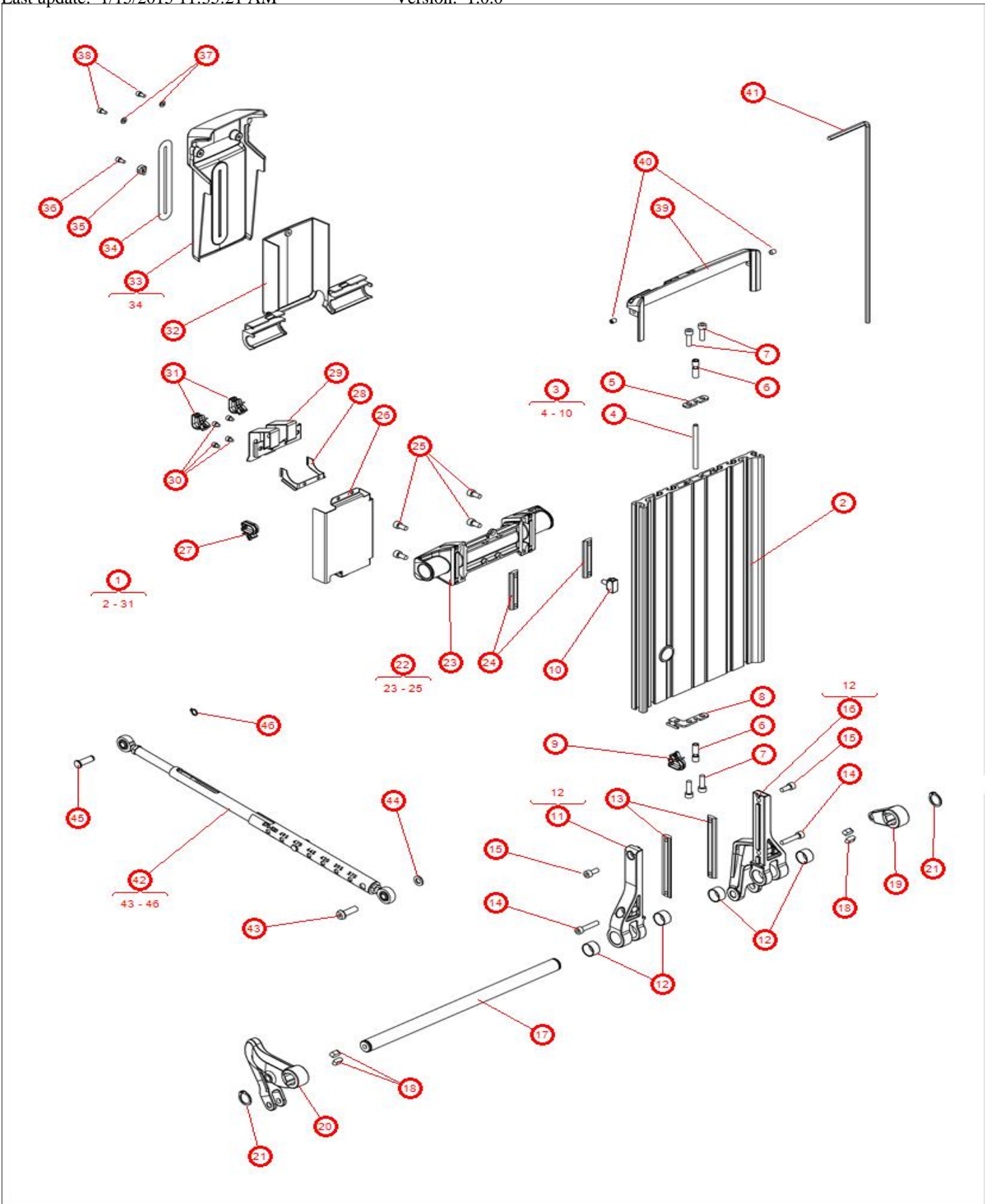
Spare Parts Catalog

Online Books > Illustrated Part Catalogs > Corpus VS > Backrest hinge

Drawing

Last update: 1/15/2015 11:35:21 AM

Version: 1.0.0



Positions

Pos	Part	Description	Qty	Sell
1.1	322818	BACKREST FRAME	1	No
2.1	321870	PROFILE	1	No
3.1	1825463	ARMREST HEIGHT ADJ. KIT, CORPUS 3G	1	
4.1	319092	BAR	1	No
5.1	319085	PLATE	1	No
6.1	319083	SOCKET	1	No
7.1	600194-99-0	BOLT MC6S 6x20 fzb	1	
8.1	319435	PLATE	1	No
9.1	612953-00-0	CABLE CLIP max=17x12mm K450 PSJr M3/400 C3G VS	1	
10.1	319087	SLIDE BAR	1	No
11.1	1831105	HINGE, BACKREST RIGHT CORPUS VS	1	
12.1	1831256	SLIDE BEARING, BACKREST FRAME, CORPUS/VIS	1	
13.1	319189	NUT 90mm	1	No
14.1	600196-99-0	BOLT MC6S 6x30 fzb	1	
15.1	600193-99-0	BOLT MC6S 6x14 fzb	1	
16.1	1831106	HINGE, BACKREST LEFT CORPUS VS	1	
17.1	1831104	SHAFT, BACKREST HINGE CORPUS VS	1	
18.1	1831278	PARALLEL KEY 6x6x14 BACKREST HINGE, CORPUS VS	1	
19.1	1831108	ARM, BACKREST LEFT CORPUS VS	1	
20.1	1831107	ARM, BACKREST RIGHT CORPUS VS	1	
21.1	601996-99-0	CIRCLIP SgA 18 CORPUS VS BACKR HINGE	1	
22.1	1827692	ARMREST HINGE BLOCK ASSM CORPUS 3G	1	
23.1	319120	HINGE	1	No
24.1	319192	NUT 50mm	1	No
25.1	600192-99-0	BOLT MC6S 6x12 fzb	1	
26.1	319224	PLATE	1	No
27.1	612953-00-0	CABLE CLIP max=17x12mm K450 PSJr M3/400 C3G VS	1	
28.1	321259	HOLDER	1	No
29.1	319226	PLATE	1	No
30.1	601282-99-0	BOLT MC6S 4x 5 fzb	1	
31.1	612953-00-0	CABLE CLIP max=17x12mm K450 PSJr M3/400 C3G VS	1	
32.1	1831255	COVER, LOWER BACK CORPUS VS	1	
33.1	1831254	COVER, UPPER BACK CORPUS VS	1	
34.1	319931	STICKER ARM HEIGHT	1	No
35.1	319295	PLASTIC KNOB	1	No
36.1	600182-99-0	BOLT MC6S 4x 8 fzb	1	
37.1	601296-99-0	WASH M4 FLAT STD - ZINC PLATED	1	
38.1	600182-99-0	BOLT MC6S 4x 8 fzb	1	
39.1	319409	COVER TOP	1	No
40.1	613428	SET SCREW ISO 4029 M6x8 45H	1	No
41.2	1826120	KEY TOOL RUBBERIZED 5mm CORPUS/3G	1	
42.1	1831110	TIEBAR, BACKREST HINGE CORPUS VS	1	
43.1	602165-99-0	BOLT K6S 8x25 fzb TECH=1828843: SHEER KIT	1	
44.1	601427-99-0	WASH BRB 8.4x15x1.6 fzb DIN 433	1	
45.1	324516	Shaft	1	No
46.1	600503-99-0	CIRCLIP SGA 8	1	

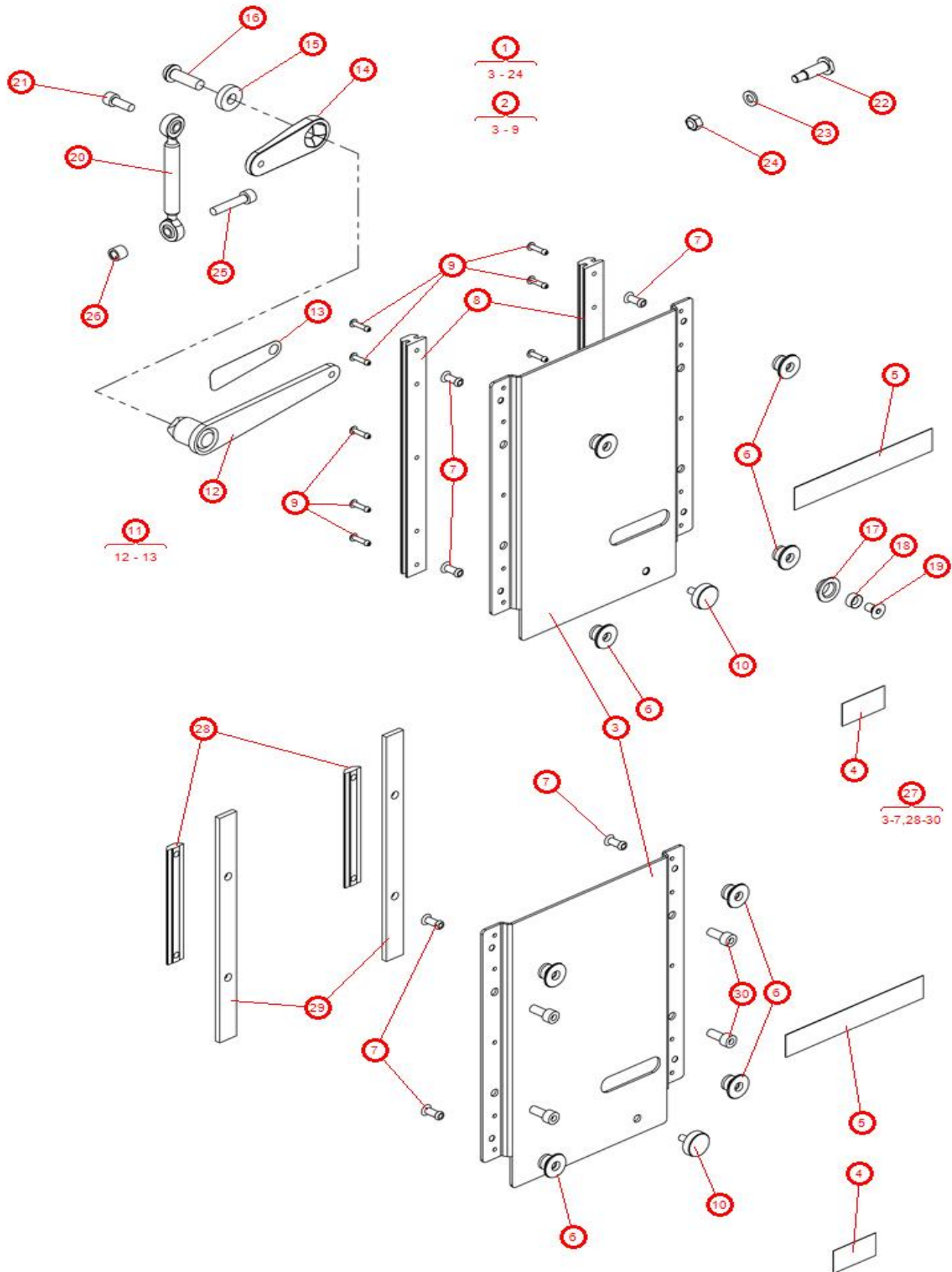
Spare Parts Catalog

Online Books > Illustrated Part Catalogs > Corpus VS > Backrest fixed/slide

Drawing

Last update: 12/19/2014 10:59:32 AM

Version: 1.0.0



Positions

Pos	Part	Description	Qty	Sell
1.1	1831415	Backrest slide kit	1	No
2.1	1826110	BACK SLIDE, W/O LINKAGE CORPUS/3G/HD	1	
3.1	318536	Plate	1	No
4.1	320243	Velcro tape loop W=20 L=40	1	No
5.1	320241	Velcro tape loop W=20 L=130	1	No
6.1	319035	Bracket	1	No
7.1	613769	Blind rivet O5,0x16 St/St (9,5-11)	1	No
8.1	319144	Slide bar	1	No
9.1	613768	Blind rivet O3,2x16 A2-Stainless St (10,5-12,5)	1	No
10.1	602391-99-0	ADJUSTING SCREW	1	
11.1	1827693	PIVOT ARM, BACKREST SHEER KIT, CORPUS/3G/HD	1	
12.1	318573	Angle link	1	No
13.1	319167	Tape teflon	1	No
14.1	1825611	PIVOT ARM, SMALL, BACKREST SHEER KIT, CORPUS/3G	1	
15.1	1827694	SPACER O8,5x20x5,PS&BACKR SHEER KIT,CORPUS/VS/HD	1	
16.1	1828843	SCREW M8x25 10.9 LOCKING COAT	1	
17.1	1825613	BUSHING, BACKR SLIDING PLATE, CORPUS/3G	1	
18.1	1827695	SOCKET SLIDING BACK CORPUS 3G	1	
19.1	601265-99-0	BOLT MF6S 6x10 fzb	1	
19.2	601265-99-0	BOLT MF6S 6x10 fzb	1	
20.1	1831109	LINKROD, SLIDING BACK CORPUS/HD/VS, 96mm	1	
21.1	600743-99-0	BOLT MC6S 6x16 fzb	1	
22.1	1826395	LINK BOLT ADJUSTMENT, ARM ARMREST, ALL CORPUS	1	
23.1	600238-99-0	WASH BRB 6.4x12x1.5 fzb STD	1	
24.1	600227-99-0	LOCK NUT M6 LOW fzb DIN985/ISO10511	1	
25.1	600196-99-0	BOLT MC6S 6x30 fzb	1	
26.1	323276-99-0	SPACER, CORPUS VS SHEER KIT	1	
27.1	1826445	BACKREST KIT, FIXED CORPUS/3G/HD	1	
28.1	1825464	NUT, UNITRACK 90mm, M6 CORPUS/3G/HD/VS	1	
29.1	320260	Spacer wash	1	No
30.1	600193-99-0	BOLT MC6S 6x14 fzb	1	

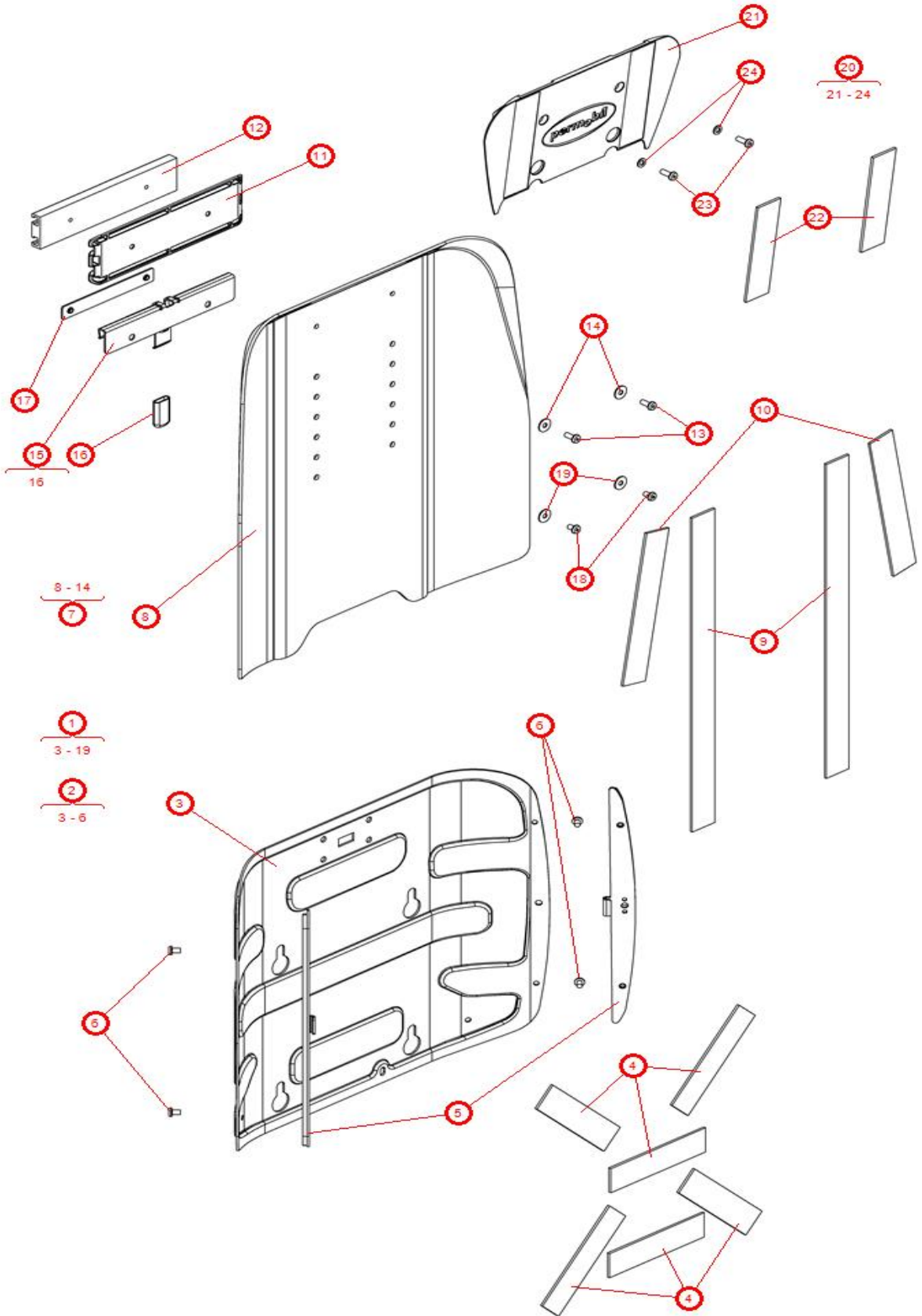
Spare Parts Catalog

Online Books > Illustrated Part Catalogs > Corpus VS > Backrest plate

Drawing

Last update: 1/10/2011 3:57:53 PM

Version: 1.0.0



Positions

Pos	Part	Description	Qty	Sell
1.1	1827159	BACKREST KIT, 14"W,CORPUS HEIGHT ADJ,NO CUSHION	1	
1.2	1827160	BACKREST KIT 16"W,CORPUS HEIGHT ADJ,NO CUSHION	1	
1.3	1827162	BACKREST KIT 18",CORPUS HEIGHT ADJ,NO CUSHION	1	
1.4	1828741	BACKREST KIT 20"W,CORPUS HEIGHT ADJ,NO CUSHION	1	
2.1	1826374	BACKREST LOWER, 14" W (360mm), CORPUS/3G	1	
2.2	1826376	BACKREST LOWER, 16" W (410mm), CORPUS/3G	1	
2.3	1826378	BACKREST LOWER, 18" W (460mm), CORPUS/3G	1	
2.4	1828742	BACKREST LOWER, 20" W (510mm), CORPUS/3G	1	
3.1	319437	Backrest plate lower W=360mm	1	No
3.2	319438	Backrest plate lower W=410mm	1	No
3.3	319439	Backrest plate lower W=460mm	1	No
3.4	320894	Backrest plate lower W=510mm	1	No
4.1	319848	Velcro tape Hook W=30 L=125	1	No
5.1	1827696	BRACKET BACKREST, C3G	1	
6.1	600189-99-0	BOLT MC6S 5x10 fzb ISO 4762	1	
7.1	1826375	BACKREST UPPER, 14" W (360mm), CORPUS/3G/VS	1	
7.2	1826377	BACKREST UPPER, 16" W (410mm), CORPUS/3G/VS	1	
7.3	1826379	BACKREST UPPER, 18" W (460mm), CORPUS/3G/VS	1	
7.4	1828743	BACKREST UPPER, 20" W (510mm), CORPUS/3G/VS	1	
8.2	319424	Backrest upper plate W=410mm	1	No
8.3	319425	Backrest upper plate W=460mm	1	No
8.4	320892	Backrest upper plate W=510mm	1	No
8.5	000000	NOTAVAILABLE	1	No
9.1	319849	Velcro tape Hook W=30 L=390	1	No
10.1	320129	Velcro tape L=182 Hook	1	No
11.1	1827697	HOLDER BRACKET BACKREST CORPUS/3G	1	
12.1	1827698	UNITRACK BAR 180mm. ALL CORPUS	1	
13.1	601170-99-0	BOLT M5 x 16mm BHCS ZINC PLATED	1	
14.1	612857-99-0	WASHER ISO 7093-1 5 200 HV Fe/Zn 5 C1 (5.3x15x1)	1	
15.1	1826111	BACKREST RELEASE BRACKET CORPUS/3G	1	
16.1	601823-00-0	RUBBER SLEEVE 4x16x30 BRAKE RELEASE/HEADR/BACKR	1	
17.1	1826381	PLATE, BACKREST RELEASE BRACKET, CORPUS/3G	1	
18.1	600740-99-0	BOLT K6S 5x 8 fzb	1	
19.1	612857-99-0	WASHER ISO 7093-1 5 200 HV Fe/Zn 5 C1 (5.3x15x1)	1	
20.1	1827051	BACKREST WEDGE,CENTER,14" CORPUS/3G/VS, INCL HDW	1	
20.2	1827052	BACKREST WEDGE,CENTER,16" CORPUS/3G/VS,INCL HDW	1	
20.3	1827053	BACKREST WEDGE,CENTER,18" CORPUS/3G/VS, INCL HDW	1	
20.4	1828744	BACKREST WEDGE,CENTER,20" CORPUS/3G/VS, INCL HDW	1	
21.1	320119	Wedge W=360	1	No
21.2	320115	Wedge W=410	1	No
21.3	320229	Wedge W=460	1	No
21.4	320917	Wedge W=510	1	No
22.1	319848	Velcro tape Hook W=30 L=125	1	No
23.1	601707-99-0	BOLT K6S 5x20 fzb	1	
24.1	600237-99-0	WASH M5 FLAT ZINC PLATED	1	

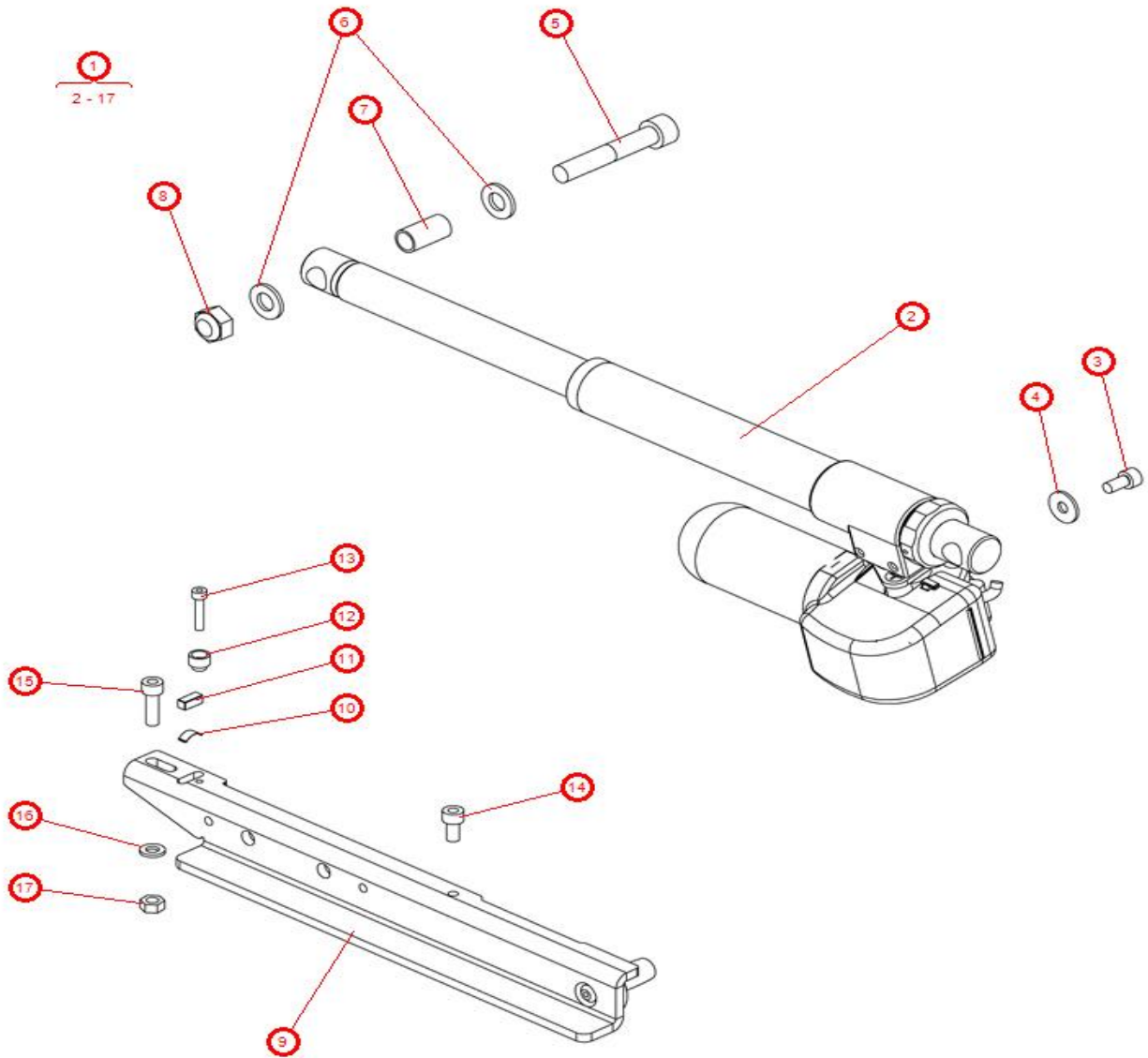
Spare Parts Catalog

Online Books > Illustrated Part Catalogs > Corpus VS > Backrest recline option

Drawing

Last update: 1/14/2015 2:23:59 PM

Version: 1.0.0



Positions

Pos	Part	Description	Qty	Sell
1.1	1831507	POWER CONTROL BACKREST 180° CORPUS VS	1	
2.2	1832671	ACTUATOR BACKREST, CORPUS VS, 180°	1	
3.1	600192-99-0	BOLT MC6S 6x12 fzb	1	
4.1	612675-99-0	WASHER 6,4x18x1,6 fzb	1	
5.1	601396-99-0	BOLT MC6S 10x 60 fzb	1	
6.1	600241-99-0	WASH BRB 10.5x20x2 fzb	1	
7.1	1825219	SPACER ACTU L=24 O13x1.25 CORPUS	1	
8.1	600229-99-0	LOCK NUT M10 FZB	1	
9.1	1831745	BRACKET ACTUATOR, RECLINE POWER & MANUAL, CORPUSI		
10.1	325143	LEAF SPRING	1	No
11.1	614714	KEY DIN 6885B 5x5x12	1	No
12.1	325135	BUSHING	1	No
13.1	600186-99-0	SCREW MC6S M4x20 fzb SHCS 8.8 DIN912 ISO4762	1	
14.1	600192-99-0	BOLT MC6S 6x12 fzb	1	
15.1	600194-99-0	BOLT MC6S 6x20 fzb	1	
16.1	600238-99-0	WASH BRB 6.4x12x1.5 fzb STD	1	
17.1	600227-99-0	LOCK NUT M6 LOW fzb DIN985/ISO10511	1	

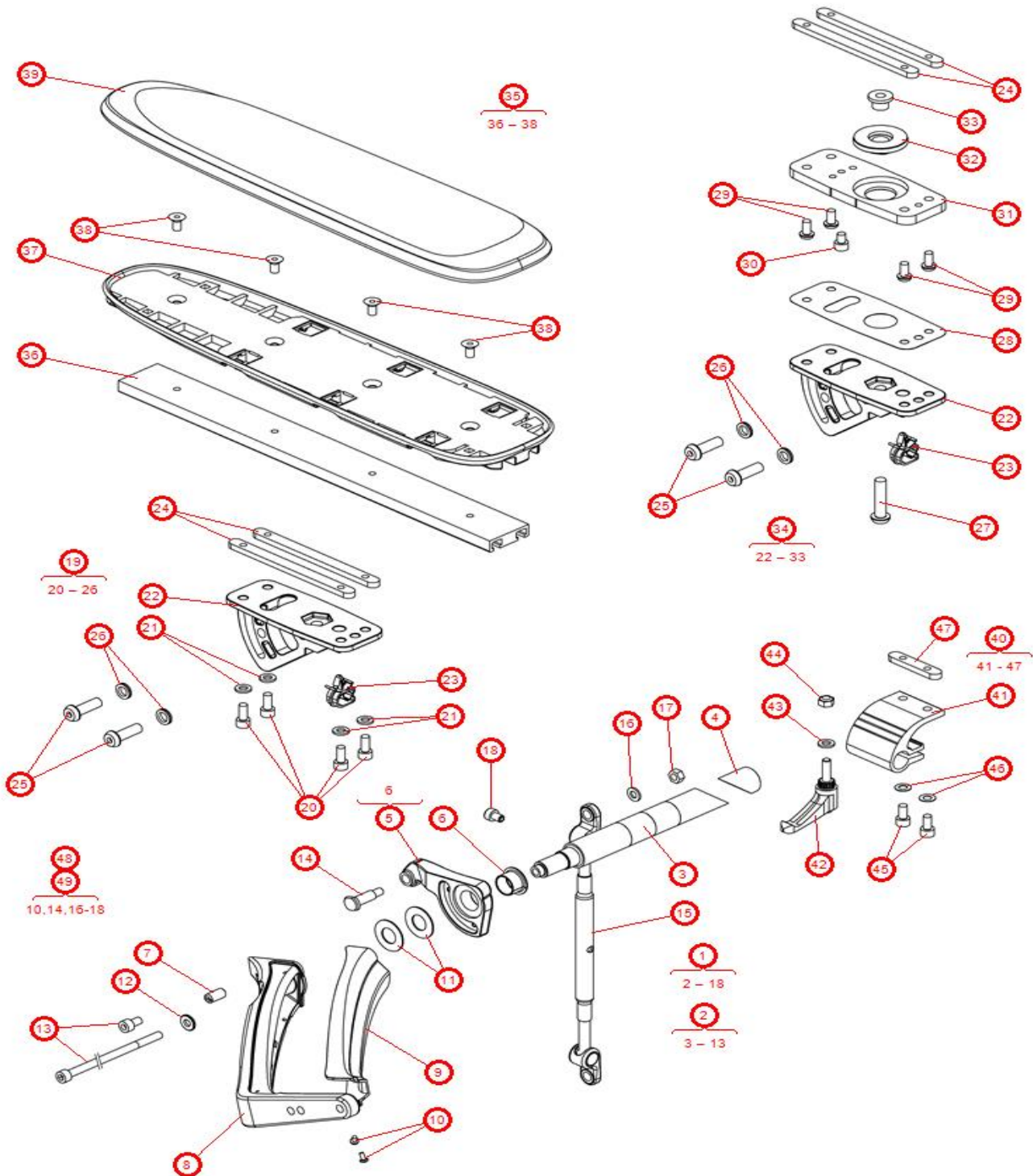
Spare Parts Catalog

Online Books > Illustrated Part Catalogs > Corpus VS > Armrest Right

Drawing

Last update: 12/21/2012 1:01:22 PM

Version: 1.0.1



Positions

Pos	Part	Description	Qty	Sell
1.3	1830232	ARMR BRACKET ASSY RIGHT 1/2"ADJ,NARROW, CORPUS/3G	1	
1.4	1830230	ARMR BRACK ASSY RIGHT 1/2"ADJ, WIDE, CORPUS/3G	1	
2.3	1830234	ARMR BRACKET RIGHT v.2 1/2"ADJ,NRRW,CORPUS/3G/VS	1	
2.4	1830236	ARMR BRACKET RIGHT v.2 1/2"ADJ, WIDE, CORPUS/3G	1	
3.1	321982	Shaft Std	1	No
3.2	321387	Shaft Wide	1	No
4.1	321388	Wedge nut	0	No
5.1	321936	Arm	0	No
6.1	602513	Bearing	0	No
7.1	613754	Spring plunger GN 615-M8-KSN	1	No
8.1	319118	Arm Right	1	No
9.1	1826203	COVER ARMREST, RIGHT ALL CORPUS	1	
10.1	602065-99-0	BOLT MRX-Z 3x6 fzb	1	
11.1	600700-99-0	CUP SPRING 28x14.2x1	1	
12.1	319149	Washer slide	1	No
13.1	600888-99-0	BOLT MC6S 6x10 fzb	1	
13.2	614237	Screw ISO 4762 M6x150 Fe/Zn	1	No
13.3	614238	Screw ISO 4762 M6x200 Fe/Zn	1	No
14.1	1826395	LINK BOLT ADJUSTMENT, ARM ARMREST, ALL CORPUS	1	
15.1	1825603	TIE BAR ARMREST, STANDARD ALL CORPUS	1	
15.2	1825672	TIE BAR ARMREST, WIDE ALL CORPUS	1	
16.1	600238-99-0	WASH BRB 6.4x12x1.5 fzb STD	1	
17.1	600227-99-0	LOCK NUT M6 LOW fzb DIN985/ISO10511	1	
18.2	614239-99-0	SHCS M6 X 6 8.8 FE/ZN 5 C1 ISO 4762	1	
19.1	1825593	ARMR BRACKET FIXED ALL CORPUS	1	
20.1	600193-99-0	BOLT MC6S 6x14 fzb	1	
21.1	600238-99-0	WASH BRB 6.4x12x1.5 fzb STD	1	
22.1	319103	Hinge	1	No
23.1	1821422	REPLACED BY 612953-00-0 CABLE CLIP SET (qty 4)	1	
24.1	319150	Nut	1	No
25.1	602165-99-0	BOLT K6S 8x25 fzb TECH=1828843: SHEER KIT	1	
25.2	1828843	SCREW M8x25 10.9 LOCKING COAT	1	
26.1	612888-99-0	LOCK WASH N-LOCK 8,7x13,5 x2,5	1	
27.1	602373-99-0	Screw ISO 7380 M8x35 Fe/Z	1	
28.1	319110	Gasket	1	No
29.1	601422-99-0	BOLT K6S 6x12 fzb	1	
30.1	601359-99-0	BOLT MC6S 6x 8 fzb	1	
31.1	319104	Plate	1	No
32.1	319107	Plastic plug	1	No
33.1	319106	Bush	1	No
34.1	1825594	ARMR BRACKET, ADJUSTABLE ALL CORPUS	1	
35.1	1825604	ARMREST BODY, 10"L,NO PAD CORPUS/3G/VS	1	
35.2	1825605	ARMREST BODY, 13"L,NO PAD ALL CORPUS	1	
35.3	1825606	ARMREST BODY, 16"L,NO PAD CORPUS/3G/VS	1	
36.1	319547	Bracket L=260	1	No
36.2	319552	Bracket L=360	1	No
36.3	319554	Bracket L=410mm	1	No
37.1	318786	Armrest L=260	1	No
37.2	318787	Armrest L=360	1	No

Positions

Pos	Part	Description	Qty	Sell
37.3	318788	Armrest L=410	1	No
38.1	601788-99-0	BOLT MF6S 6x12 fzb	1	
39.1	1826191	ARMR PAD 10" LEATHERETTE LEFT/RIGHT, CORPUS/3G/VS	1	
39.2	1826192	ARMR PAD 13" LEATHERETTE LEFT/RIGHT, CORPUS/3G/VS	1	
39.3	1826193	ARMR PAD 16" LEATHERETTE LEFT/RIGHT, ALL CORPUS	1	
39.4	1826194	Armrest Pad L=260 Mesh Black	1	No
39.5	1826195	Armrest Pad L=360 Mesh Black	1	No
39.6	1826196	Armrest Pad L=410 Mesh Black	1	No
39.7	1828340	ARMREST PAD 16", FABRIC ALL CORPUS	1	
39.8	1828841	ARMREST PAD 13", FABRIC ALL CORPUS	1	
39.9	1831403	ARMREST PAD 10" FABRIC CORPUS/3G/VS	1	
40.1	1828960	PANEL HOLD, BRACKET, UT V.2	1	
41.1	319443	Holder	1	No
42.1	600194-99-0	BOLT MC6S 6x20 fzb	1	
42.2	1822869	LOCK HANDLE M6x20 HEADREST, PANEL MOUNT	1	
43.1	600238-99-0	WASH BRB 6.4x12x1.5 fzb STD	1	
44.1	600227-99-0	LOCK NUT M6 LOW fzb DIN985/ISO10511	1	
45.1	600192-99-0	BOLT MC6S 6x12 fzb	1	
46.1	612800	Washer DIN137B 6,4x12x0,5 Fe/Zn	1	No
47.1	1824717	NUT, SLIDE BAR, SHORT,C3G HEADR BKT,PANELHOLD,O2	1	
48.1	1828957	BOLT KIT, WIDE ARMREST HINGE, ALL CORPUS	1	
49.1	1828958	BOLT KIT, STD ARMREST HINGE, ALL CORPUS	1	

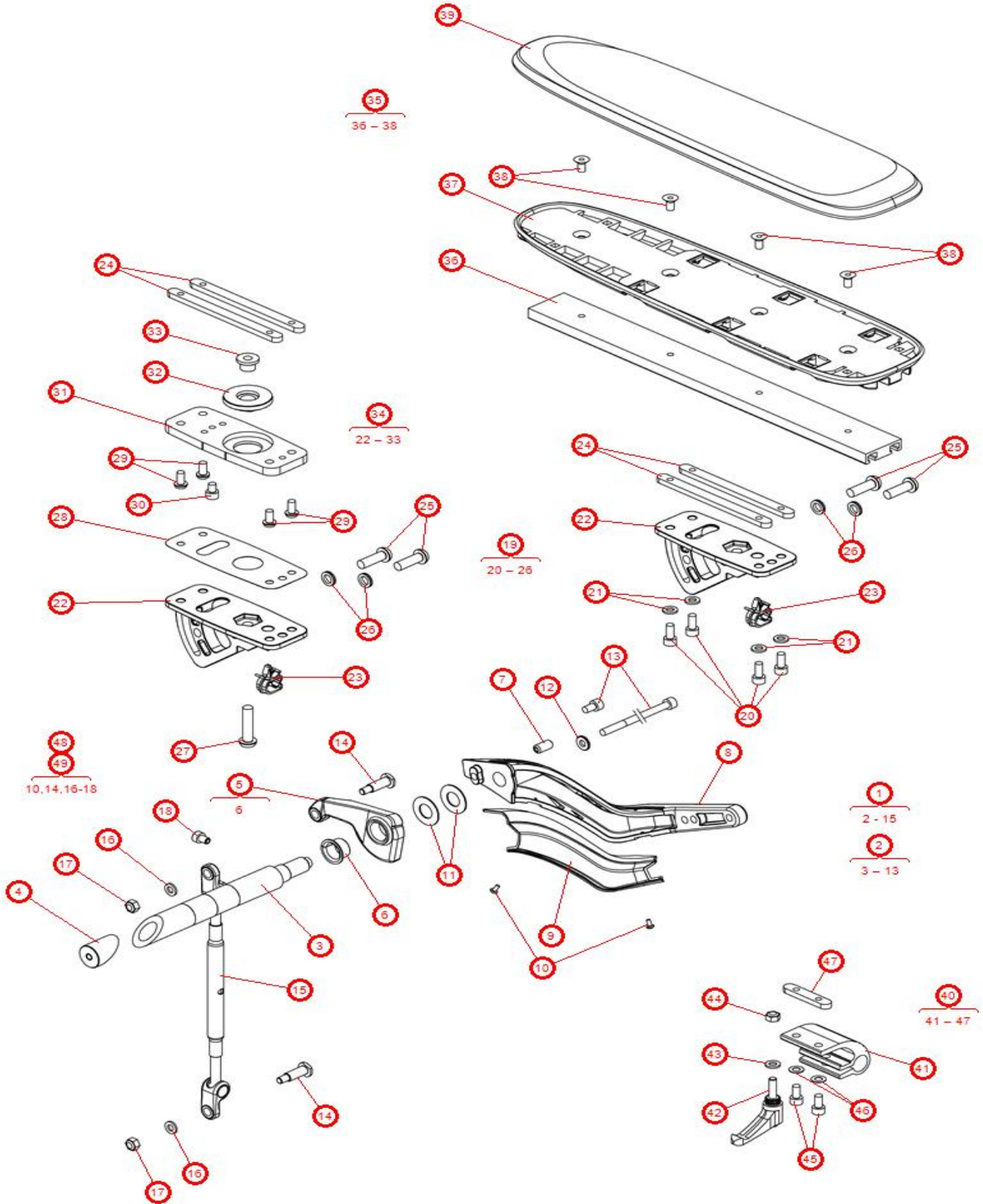
Spare Parts Catalog

Online Books > Illustrated Part Catalogs > Corpus VS > Armrest Left

Drawing

Last update: 12/21/2012 1:01:22 PM

Version: 1.0.1



Positions

Pos	Part	Description	Qty	Sell
1.3	1830231	ARMR BRACK ASSY LEFT v.2 1/2"ADJ,NARROW,ALL CORPUS	1	
1.4	1830229	ARMR BRACK ASSY LEFT v.2 1/2"ADJ, WIDE, ALL CORPUS	1	
2.3	1830233	ARMR BRACKET LEFT v.2 1/2"ADJ,NARROW,ALL CORPUS	1	
2.8	1830235	ARMR BRACKET LEFT v.2 1/2"ADJ, WIDE, ALL CORPUS	1	
3.1	321982	Shaft Left	1	No
3.2	321387	Shaft Left Wide	1	No
4.1	321388	Wedge nut	0	No
5.1	321935	Arm	0	No
6.1	602513	Bearings	0	No
7.1	613754	Spring plunger GN 615-M8-KSN	1	No
8.1	319119	Arm Left	1	No
9.1	1826204	COVER ARMREST, LEFT ALL CORPUS	1	
10.1	602065-99-0	BOLT MRX-Z 3x6 fzb	1	
11.1	600700-99-0	CUP SPRING 28x14.2x1	1	
12.1	319149	Washer slide	1	No
13.1	600888-99-0	BOLT MC6S 6x10 fzb	1	
13.2	614237	Screw ISO 4762 M6x150 Fe/Zn	1	No
13.3	614238	Screw ISO 4762 M6x200 Fe/Zn	1	No
14.1	1826395	LINK BOLT ADJUSTMENT, ARM ARMREST, ALL CORPUS	1	
15.1	1825603	TIE BAR ARMREST, STANDARD ALL CORPUS	1	
15.2	1825672	TIE BAR ARMREST, WIDE ALL CORPUS	1	
16.1	600238-99-0	WASH BRB 6.4x12x1.5 fzb STD	1	
17.1	600227-99-0	LOCK NUT M6 LOW fzb DIN985/ISO10511	1	
18.2	614239-99-0	SHCS M6 X 6 8.8 FE/ZN 5 C1 ISO 4762	1	
19.1	1825593	ARMR BRACKET FIXED ALL CORPUS	1	
20.1	600193-99-0	BOLT MC6S 6x14 fzb	1	
21.1	600238-99-0	WASH BRB 6.4x12x1.5 fzb STD	1	
22.1	319103	Hinge	1	No
23.1	1821422	REPLACED BY 612953-00-0 CABLE CLIP SET (qty 4)	1	
24.1	319150	Nut	1	No
25.1	602165-99-0	BOLT K6S 8x25 fzb TECH=1828843: SHEER KIT	1	
26.1	612888-99-0	LOCK WASH N-LOCK 8,7x13,5 x2,5	1	
27.1	602373-99-0	Screw ISO 7380 M8x35 Fe/Z	1	
28.1	319110	Gasket	1	No
29.1	601422-99-0	BOLT K6S 6x12 fzb	1	
30.1	601359-99-0	BOLT MC6S 6x 8 fzb	1	
31.1	319104	Plate	1	No
32.1	319107	Plastic plug	1	No
33.1	319106	Bush	1	No
34.1	1825594	ARMR BRACKET, ADJUSTABLE ALL CORPUS	1	
35.1	1825604	ARMREST BODY, 10"L,NO PAD CORPUS/3G/VS	1	
35.2	1825605	ARMREST BODY, 13"L,NO PAD ALL CORPUS	1	
35.3	1825606	ARMREST BODY, 16"L,NO PAD CORPUS/3G/VS	1	
36.1	319547	Bracket L=260	1	No
36.2	319552	Bracket L=360	1	No
36.3	319554	Bracket L=410	1	No
37.1	318786	Armrest L=260	1	No
37.2	318787	Armrest L=360	1	No
37.3	318788	Armrest L=410	1	No

Positions

Pos	Part	Description	Qty	Sell
38.1	601788-99-0	BOLT MF6S 6x12 fzb	1	
39.1	1826191	ARMR PAD 10" LEATHERETTE LEFT/RIGHT, CORPUS/3G/VS	1	
39.2	1826192	ARMR PAD 13" LEATHERETTE LEFT/RIGHT, CORPUS/3G/VS	1	
39.3	1826193	ARMR PAD 16" LEATHERETTE LEFT/RIGHT, ALL CORPUS	1	
39.4	1826194	PAD	1	No
39.5	1826195	PAD	1	No
39.6	1826196	PAD	1	No
39.7	1828340	ARMREST PAD 16", FABRIC ALL CORPUS	1	
39.8	1828841	ARMREST PAD 13", FABRIC ALL CORPUS	1	
39.9	1831403	ARMREST PAD 10" FABRIC CORPUS/3G/VS	1	
40.1	1825815	PANEL HOLD BRACK UNITRACK CORPUS 3G	1	
41.1	319443	Holder	1	No
42.1	600194-99-0	BOLT MC6S 6x20 fzb	1	
42.2	1822869	LOCK HANDLE M6x20 HEADREST, PANEL MOUNT	1	
43.1	600238-99-0	WASH BRB 6.4x12x1.5 fzb STD	1	
44.1	600227-99-0	LOCK NUT M6 LOW fzb DIN985/ISO10511	1	
45.1	600192-99-0	BOLT MC6S 6x12 fzb	1	
46.1	612800	Washer DIN 137B 6,4x12x0,5 Fe/Zn	1	No
47.1	1824717	NUT, SLIDE BAR, SHORT,C3G HEADR BKT,PANELHOLD,O2	1	
48.1	1828957	BOLT KIT, WIDE ARMREST HINGE, ALL CORPUS	1	
49.1	1828958	BOLT KIT, STD ARMREST HINGE, ALL CORPUS	1	

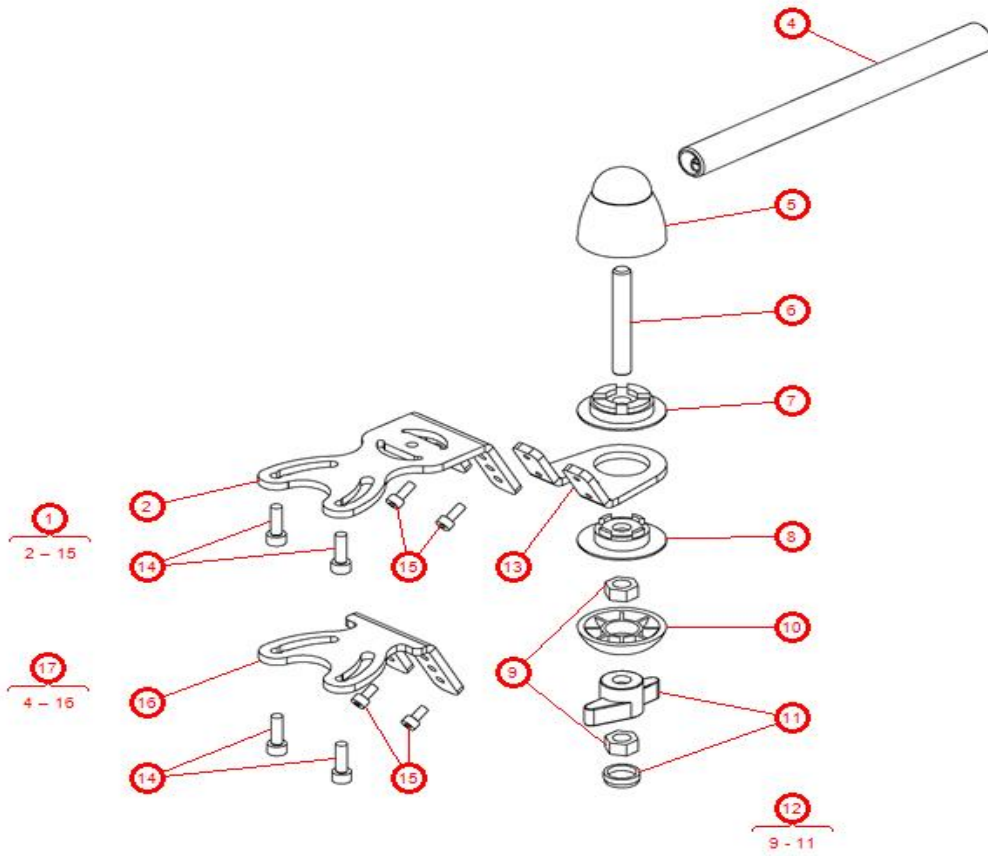
Spare Parts Catalog

Online Books > Illustrated Part Catalogs > Corpus VS > Panelholders

Drawing

Last update: 3/15/2011 8:28:03 AM

Version: 1.0.0



Positions

Pos	Part	Description	Qty	Sell
1.1	1822455	PANEL HOLDER STANDARD,335 R-NET VR2	1	
1.2	1822456	PANELHOLD LONG, 435 R-NET VR2	1	
2.1	316303	PANEL HOLDER	1	No
4.1	308984	TUBE L=335	1	No
4.2	310038	TUBE L=435	1	No
5.1	310021	HINGE	1	No
6.1	612448-99-0	SCREW, ISO 4029 M8x60 A2	1	No
7.1	310425	LOCK WASHER	1	No
8.1	310424	LOCK WASHER	1	No
9.1	600228-99-0	NYLOCK NUT M8 ZINC PLATED	2	
10.1	310023	WASHER CONCAVE	1	No
11.1	602825	LOCK HANDLE	1	No
12.1	1825556	ADJUSTMENT KNOB KIT PANEL MOUNT	1	
13.1	316292	PLATE	1	No
14.1	601165-99-0	BOLT MC6S 5x16 fzb	2	
15.1	600183-99-0	BOLT MC6S 4x10 fzb	2	
16.1	317061	PANEL HOLDER V2	1	No
17.1	1824242	PANEL HOLD SHORT R-NET VR2	1	

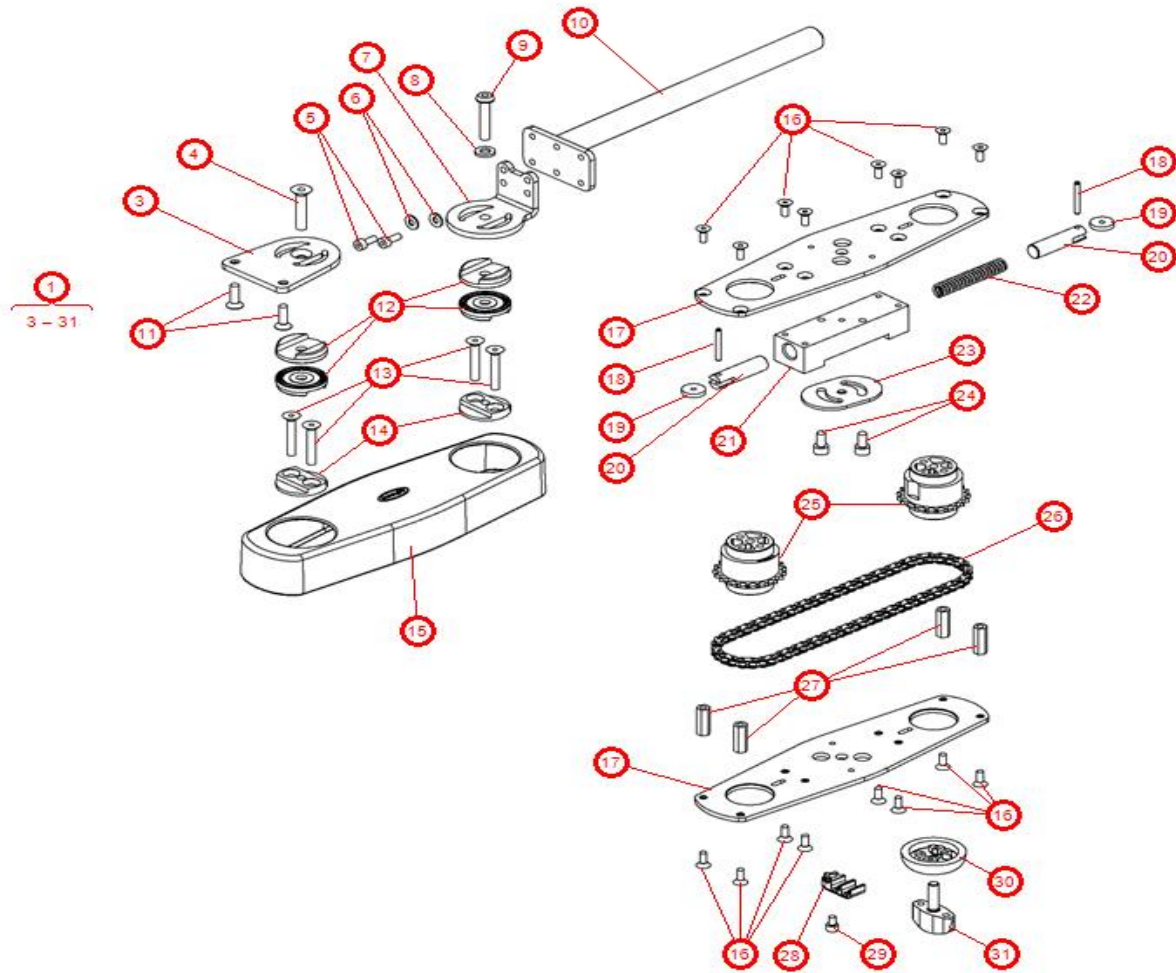
Spare Parts Catalog

Online Books > Illustrated Part Catalogs > Corpus VS > Panelholders, PLG

Drawing

Last update: 3/15/2011 11:19:15 AM

Version: 1.0.0



Positions

Pos	Part	Description	Qty	Sell
1.1	1824295	L/R RETRACTABLE JOYSTICK HOLDER, R-NET VR2	1	
3.1	317401	PLATE	1	No
4.1	600729-99-0	BOLT MF6S 6x30 fzb	1	
5.1	600183-99-0	BOLT MC6S 4x10 fzb	2	
6.1	600741-99-0	WASH BRB 4.3x10x 1 fzb	1	
7.1	317400	PLATE	1	No
8.1	600238-99-0	WASH BRB 6.4x12x1.5 fzb STD	1	
9.1	602035-99-0	SCREW, M6x30 Fe/Zn ISO 7380	1	No
9.2	601372-99-0	BOLT K6S 6x45 fzb	1	
10.1	317403	PANELHOLDER	1	No
11.1	601189-99-0	BOLT MF6S 5x16 fzb	1	
12.1	1823502	ADJUSTMENT DISC (TEETH) UNITRAC - QTY 1	4	
13.1	601424-99-0	BOLT MF6S 5x30 fzb	4	
14.1	317402	PLATE	2	No
15.1	316840	COVER	1	No
16.1	600208-99-0	BOLT M4 x 10mm FHCS ZINC PLATED	1	
17.1	316826	PLATE	2	No
18.1	601962	SPRING PIN, 3x24 St ISO 8750	2	No
19.1	316830	WHEEL	2	No
20.1	316829	SHAFT	2	No
21.1	316827	BODY	1	No
22.1	613355	SPRING	1	No
23.1	316831	PLATE	1	No
24.1	600189-99-0	BOLT MC6S 5x10 fzb ISO 4762	2	
25.1	316828	CHAIN SPROCK	2	No
26.1	613435	ROLLER CHAIN	1	No
27.1	613354	HEXAGON SPACER, M4 7x20 Fe/Zn	4	No
28.1	1827135	CLAMP, RETRACTABLE JOYST HOLDER, 2 CABLES	1	
29.1	600832-99-0	BOLT MC6S 4x 6 fzb	1	
30.1	316832	WASHER	1	No
31.1	602360-00-0	STARHANDLE CT.47630P M6x20	1	

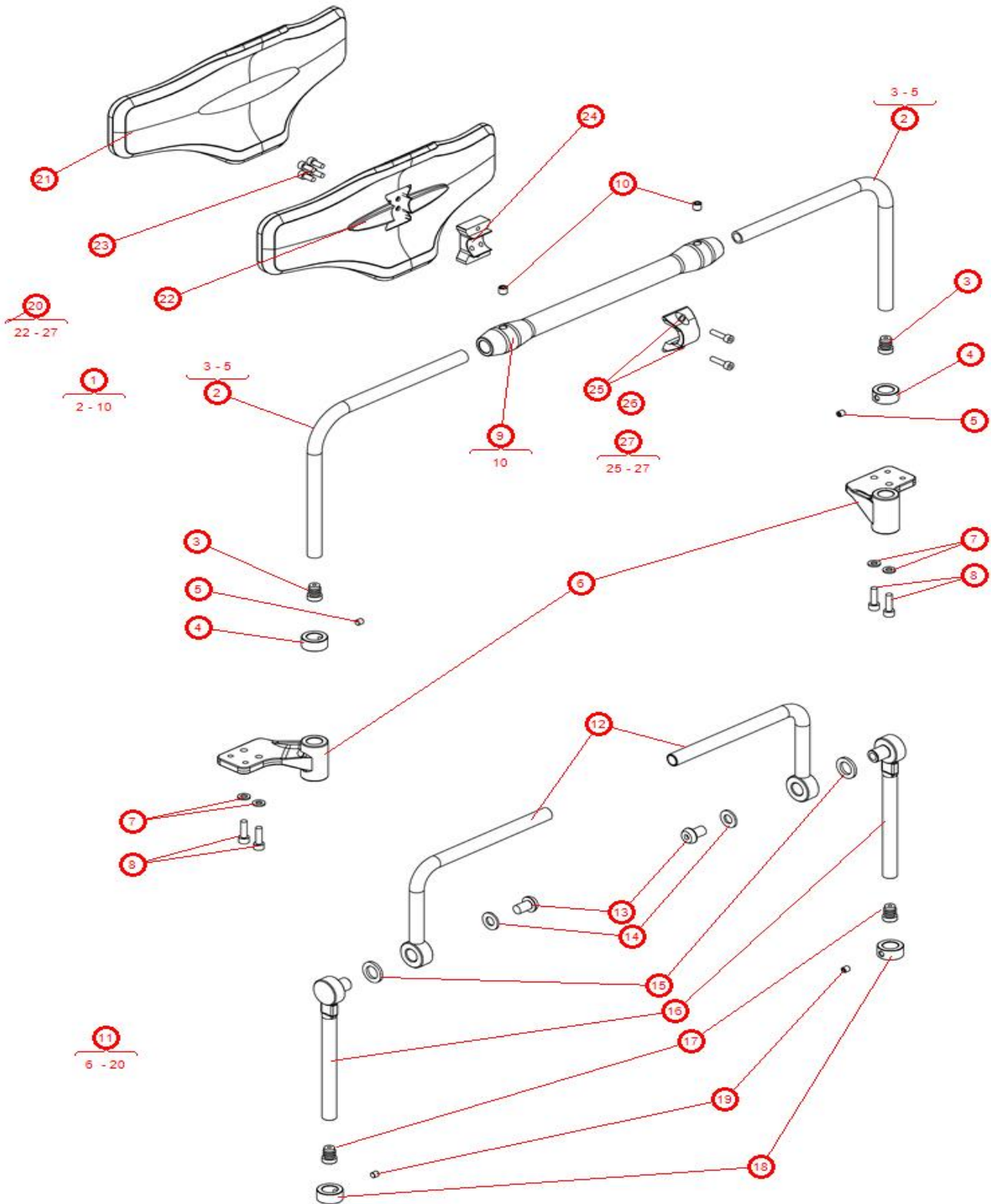
Spare Parts Catalog

Online Books > Illustrated Part Catalogs > Corpus VS > Chest support

Drawing

Last update: 12/22/2015 3:52:38 PM

Version: 1.0.1



Positions

Pos	Part	Description	Qty	Sell
1.1	324736	CHEST SUPPORT	1	No
1.2	1831192	CHEST SUPPORT BODY, FIXED BRACKET,NO PAD, CORPUS VS		
2.1	324954	TUBE	2	No
3.1	602182-00-0	PLAST PLUG GL 14 *	1	
4.1	324735	SET COLLER O15xO25x12	1	No
5.1	600214-99-0	SET SCREW SK6SS 6x6	1	
6.1	325445	HOLDER	2	No
6.2	325475	HOLDER	2	No
7.1	600238-99-0	WASH BRB 6.4x12x1.5 fzb STD	4	
8.1	600194-99-0	BOLT MC6S 6x20 fzb	4	
9.1	325476	TUBE INCL. FASTENERS	1	No
10.1	614671-99-0	SHCS ISO 4029 M8x8 45H	2	
11.1	324770	HINGE	1	No
11.2	1831413	CHEST SUPPORT BODY,ADJUST BRACKET,NO PAD, CORPUS VS		
12.1	324765	HINGE	1	No
13.1	600701-99-0	BOLT K6S 10x16 fzb	1	
14.1	600241-99-0	WASH BRB 10.5x20x2 fzb	1	
15.1	615026	LOCK WASHER DIN 25201 45HRC Dacromet (15,2x23x3,4)	1	No
16.1	324760	HINGE	1	No
17.1	602182-00-0	PLAST PLUG GL 14 *	1	
18.1	324735	SET COLLER O15xO25x12	1	No
19.1	600214-99-0	SET SCREW SK6SS 6x6	1	
20.1	1831248	CHEST SUPPORT PAD, SMALL w/UPHOLSTERY AND MNT BRKT		
20.2	1831249	CHEST SUPPORT PAD, MEDIUM w/UPHOLSTERY AND MNT BRKT		
20.3	1831250	CHEST SUPPORT PAD, LARGE w/UPHOLSTERY AND MNT BRKT		
21.1	1831251	UPHOLSTERY, SMALL CHEST SUPPORT w/FOAM, CORPUS VS 1		
21.2	1831252	UPHOLSTERY, MEDIUM CHEST SUPPORT w/FOAM, CORPUS VS		
21.3	1831253	UPHOLSTERY, LARGE CHEST SUPPORT w/FOAM, CORPUS VS 1		
22.1	323143	PAD CHEST SUPPORT SMALL	1	No
22.2	323144	PAD CHEST SUPPORT MEDIUM	1	No
22.3	323145	PAD CHEST SUPPORT LARGE	1	No
23.1	600189-99-0	BOLT MC6S 5x10 fzb ISO 4762	4	
24.1	323138	*BRACKET CLAMP INNER	1	No
25.1	325136	*BRACKET CLAMP OUTER	1	No
26.1	600543-99-0	BOLT MC6S 5x20 fzb	2	
27.1	323142	BRACKET	1	No
27.2	1830900	BRACKET, CHEST SUPPORT KNEESTOP,CORPUS,CORPUS VS 1		

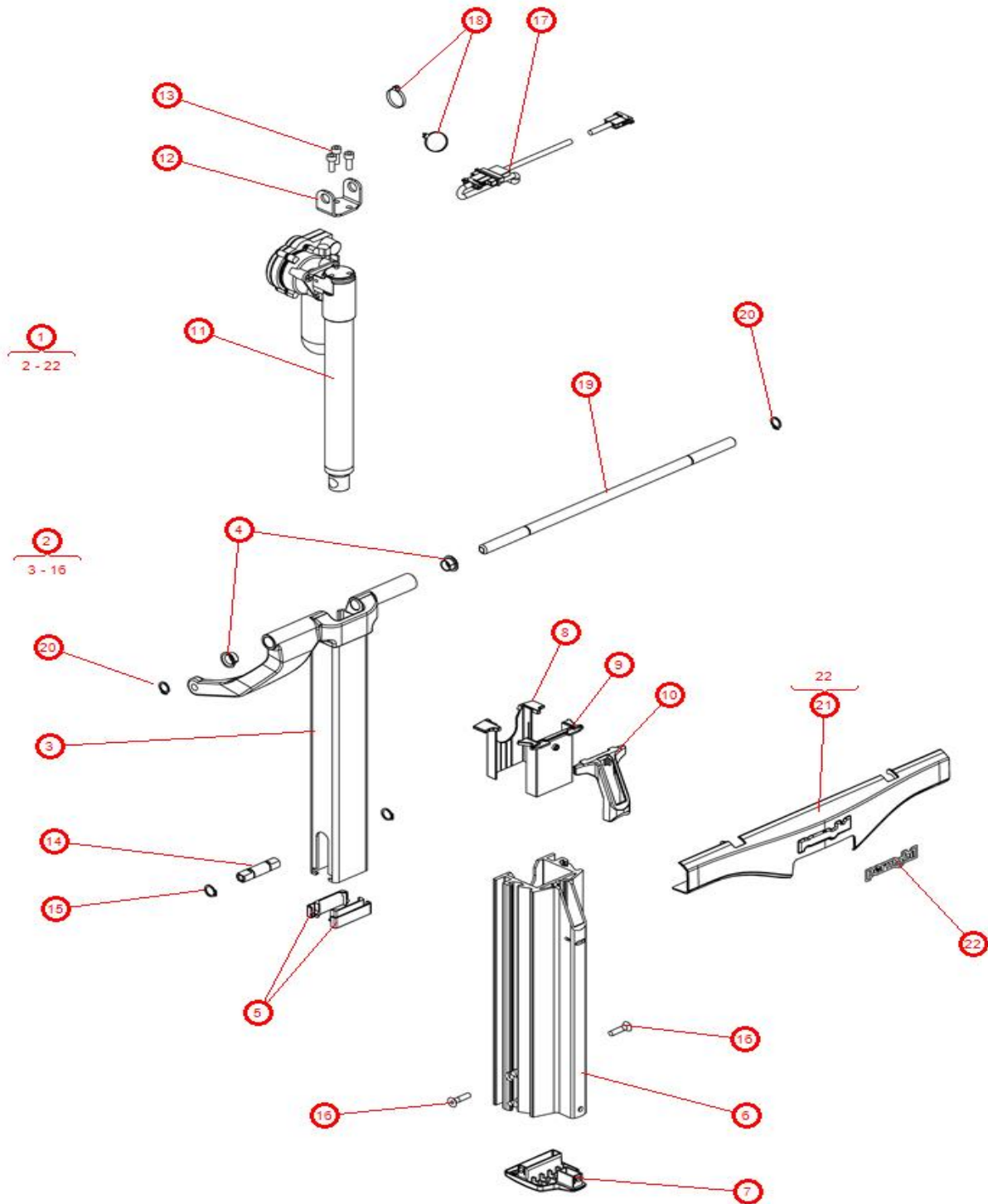
Spare Parts Catalog

Online Books > Illustrated Part Catalogs > Corpus VS > Legrest

Drawing

Last update: 12/12/2014 2:30:25 PM

Version: 1.0.0



Positions

Pos	Part	Description	Qty	Sell
1.1	1831000	LEGREST,w/ACTU, CABLE & COVER,NO FOOTPL,CORPUS/VS	1	
2.1	1831093	LEGREST, w/ACTU NO FOOTPL CORPUS, CORPUS VS	1	
3.1	1831003	INNER SECT UP HINGE, LEGR CORPUS VS	1	
4.1	614616	FLANGE SLEEVE BEARING 20X12	2	No
5.1	1831091	CAP,LEGREST,INNER SECT UP CORUS VS, EACH	2	
6.1	1832749	LEGREST OUTER TUBE CORPUS VS	1	
7.1	1831090	CAP, LEGREST BODY, LOWER CORPUS VS	1	
8.1	1831191	CAP, LEGREST BODY, UPPER REAR, CORPUS VS	1	
9.1	1831190	CAP, LEGREST BODY, UPPER FRONT, CORPUS VS	1	
10.1	1831092	CAP, LEGREST BODY, UPPER CORPUS VS	1	
11.1	1831002	ACTUATOR, CORPUS VS LEGR NO HARDWARE	1	
12.1	323297	BRACKET	1	No
13.1	600743-99-0	BOLT MC6S 6x16 fzb	3	
14.1	322624	CONNECTOR	1	No
15.1	612836	CIRCLIP EXTERNAL DIN 471 O13	2	No
16.1	600735-99-0	BOLT MF6S 6x25 fzb	2	
17.2	1821827	ICS CABLE EXTENSION 700mm MALE - FEMALE	1	
18.1	602472-00-0	CABLE TIE 3.5X150	2	
19.1	1831094	SHAFT, LEGREST HINGE CORPUS VS	1	
20.1	601225-99-0	CIRCLIP EXTERNAL SGA d=12 DIN471	2	
21.1	1831001	COVER, LEGREST, CORPUS VS INCL "PERMOBIL" DECAL	1	
22.1	1828133	DECAL, "PERMOBIL" NEW LOGO, 2013	1	

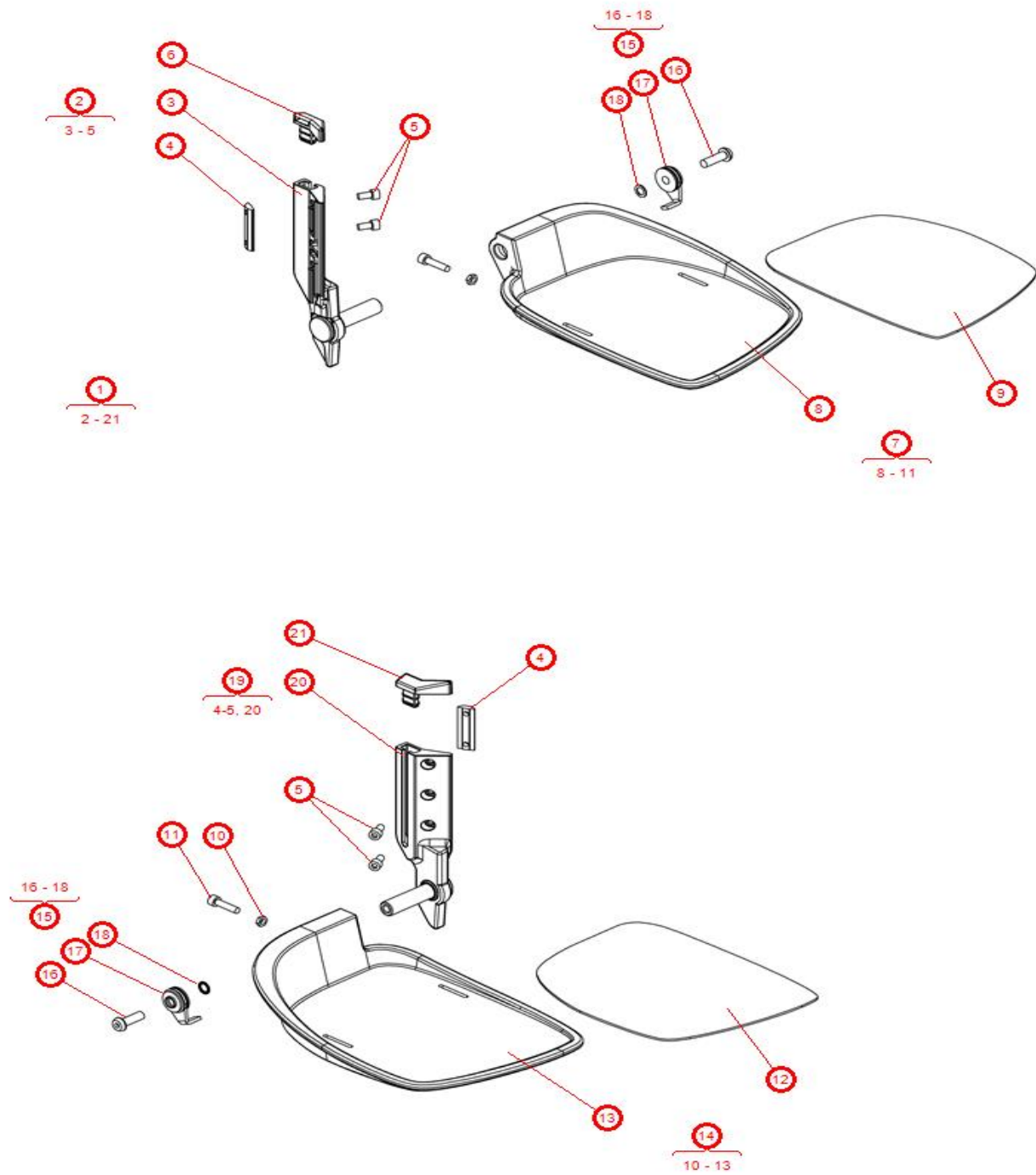
Spare Parts Catalog

Online Books > Illustrated Part Catalogs > Corpus VS > Footplate

Drawing

Last update: 12/15/2014 4:04:07 PM

Version: 1.0.0



Positions

Pos	Part	Description	Qty	Sell
1.1	323851	FOOT FOLDING ASSY WIDE, LOW MOUNT	1	No
2.1	1831004	FOOTPLATE BRACKET, LEFT CORPUS VS LEGR,INCL HDW	1	
3.1	323424	FOOT ADJUSTMENT LEFT	1	No
4.1	1831088	NUT, 35mm, 1pc FOOTPLATE CORPUS VS, EACH	1	
5.1	614375	SCREW ISO 4762 M6x12 Fe/Zn	1	No
6.1	1831006	CAP, LEFT LOW/RIGHT HIGH LEGREST BRKT, CORPUS VS	1	
7.1	1825379	FOOTPLATE, WIDE, LEFT ALL CORPUS, PS	1	
7.2	1825607	FOOTPLATE, NARROW, LEFT CORPUS/3G/Vs, PS, PSJR	1	
8.1	318886	FOOTPLATE WIDE (L)	1	No
9.1	319162	RUBBER PROTECT WIDE (L)	1	No
10.1	612980-99-0	Nut ISO 4035 M6 Fe/Zn	1	
11.1	600195-99-0	BOLT MC6S 6x25 fzb	1	
12.1	319163	RUBBER PROTECT WIDE r	1	No
13.1	318887	FOOTPLATE WIDE r	1	No
14.1	1825380	FOOTPLATE, WIDE, RIGHT ALL CORPUS, PS	1	
14.2	1825608	FOOTPLATE, NARROW, RIGHT CORPUS/3G/Vs, PS, PSJR	1	
15.1	308371-99-0	FRICITION GUIDE FOOTPL,CII CNTR MNT,HD CORPUS/3G/HD	1	
16.1	602165-99-0	BOLT K6S 8x25 fzb TECH=1828843: SHEER KIT	1	
16.2	602165-99-0	BOLT K6S 8x25 fzb TECH=1828843: SHEER KIT	1	
17.1	306983	FRICITIONSBRAKE	1	No
18.1	602127-99-0	WASH SCHNORR 8.4x13x0.8	1	
19.1	1831005	FOOTPLATE BRACKET, RIGHT CORPUS VS LEGR,INCL HDW	1	
20.1	323423	FOOT ADJUSTMENT RIGHT	1	No
21.1	1831007	CAP, RIGHT LOW/LEFT HIGH LEGREST BRKT, CORPUS VS	1	

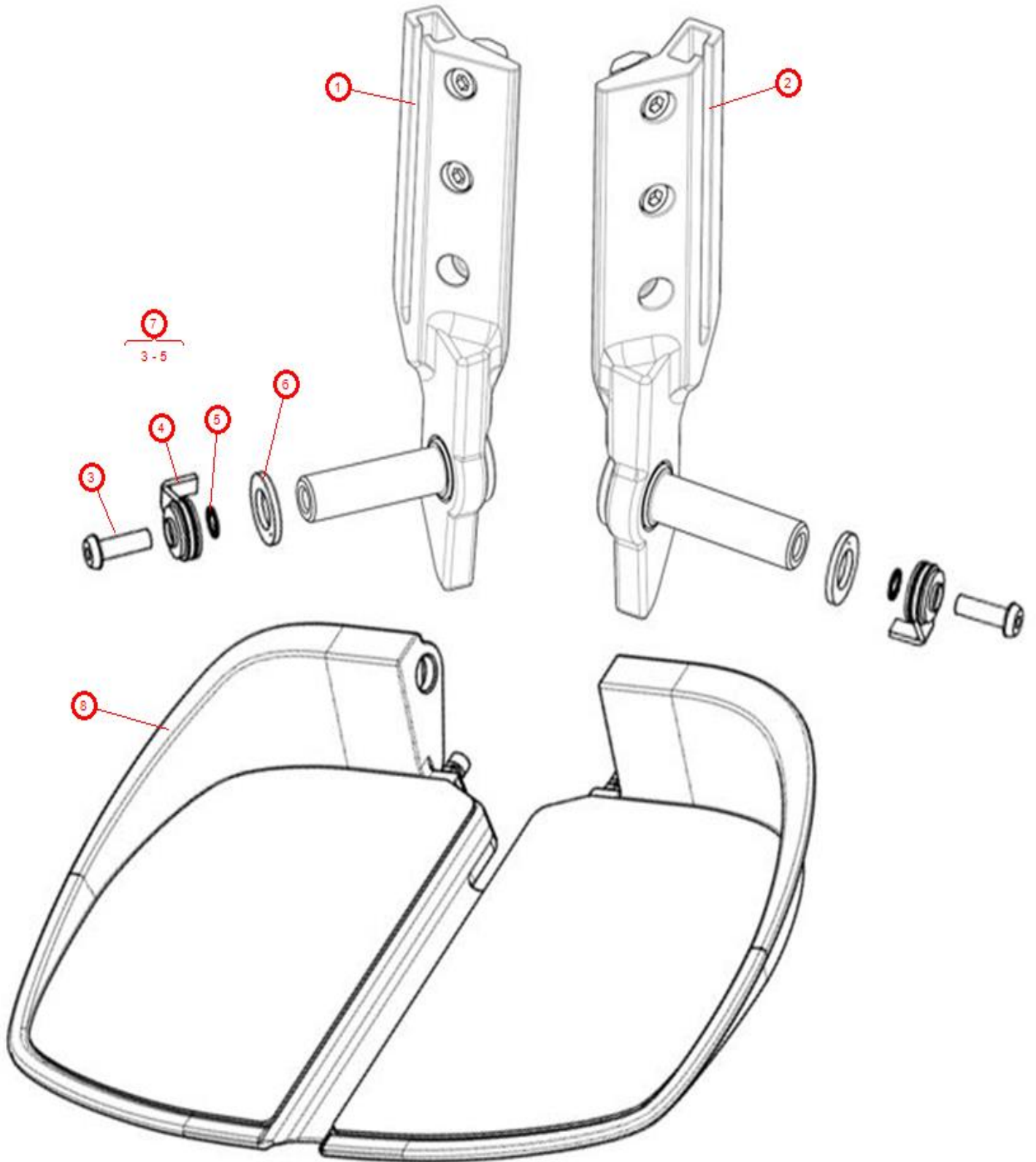
Spare Parts Catalog

Online Books > Illustrated Part Catalogs > Corpus VS > One Piece Footplate

Drawing

Last update: 6/1/2016 10:39:00 PM

Version: Ver 1.0



Positions

Pos	Part	Description	Qty	Sell
1.1	1831005	FOOTPLATE BRACKET, RIGHT CORPUS VS LEGR,INCL HDW	1	
2.1	1831004	FOOTPLATE BRACKET, LEFT CORPUS VS LEGR,INCL HDW	1	
3.1	602165-99-0	BOLT K6S 8x25 fzb TECH=1828843: SHEER KIT	1	
4.1	306983	Friction Brake	1	No
5.1	602127-99-0	WASH SCHNORR 8.4x13x0.8	1	
6.1	1831789	WASHER, FOOTPLATE CORPUS VS	1	
7.1	308371-99-0	FRICTION GUIDE FOOTPL,CII CNTR MNT,HD CORPUS/3G/HD	1	
8.1	1831089	FOOTPLATE, 1pc, CORPUS VS NO LEGREST BRACKETS	1	

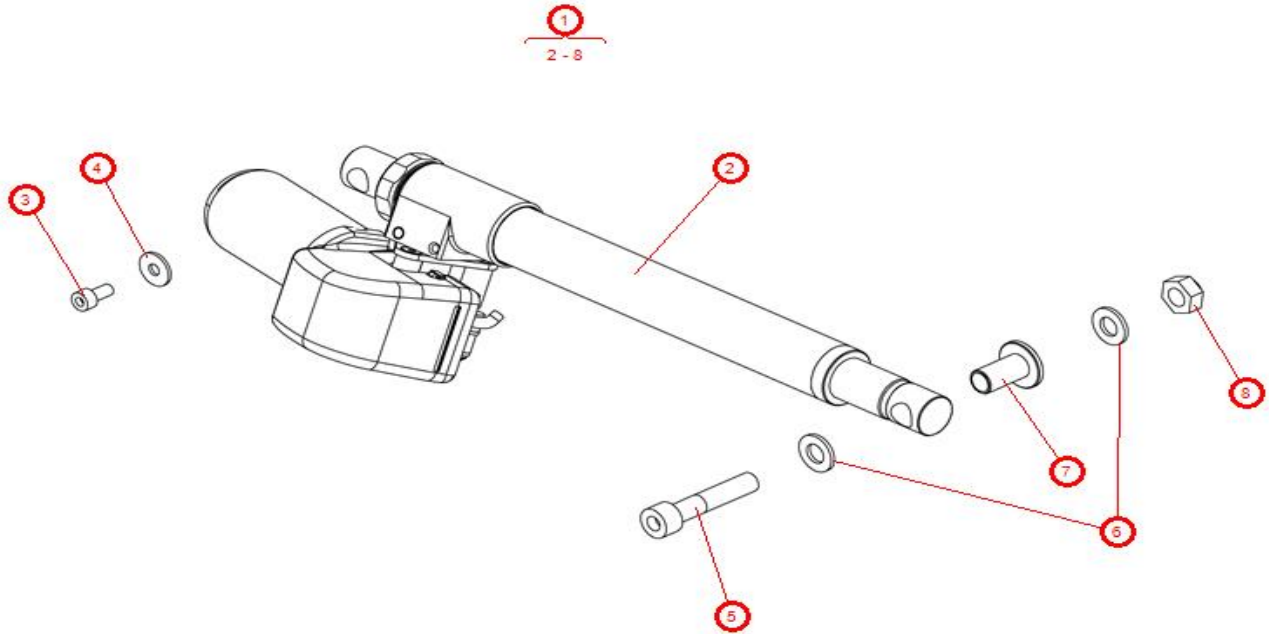
Spare Parts Catalog

Online Books > Illustrated Part Catalogs > Corpus VS > Legrest angle adjustment option

Drawing

Last update: 1/15/2015 8:53:19 AM

Version: 1.0.0



Positions

Pos	Part	Description	Qty	Sell
1.1	325010	POWER CONTROL LEGREST	1	No
2.2	1826512	POWER CONTROL LEGR,NO HDW CORPUS 3G, CORPUS/VS	1	
3.1	600192-99-0	BOLT MC6S 6x12 fzb	1	
4.1	612675-99-0	WASHER 6,4x18x1,6 fzb	1	
5.1	601227-99-0	BOLT MC6S 10x 50 fzb	1	
6.1	600241-99-0	WASH BRB 10.5x20x2 fzb	1	
7.1	323260	SPACER	1	No
8.1	600229-99-0	LOCK NUT M10 FZB	1	

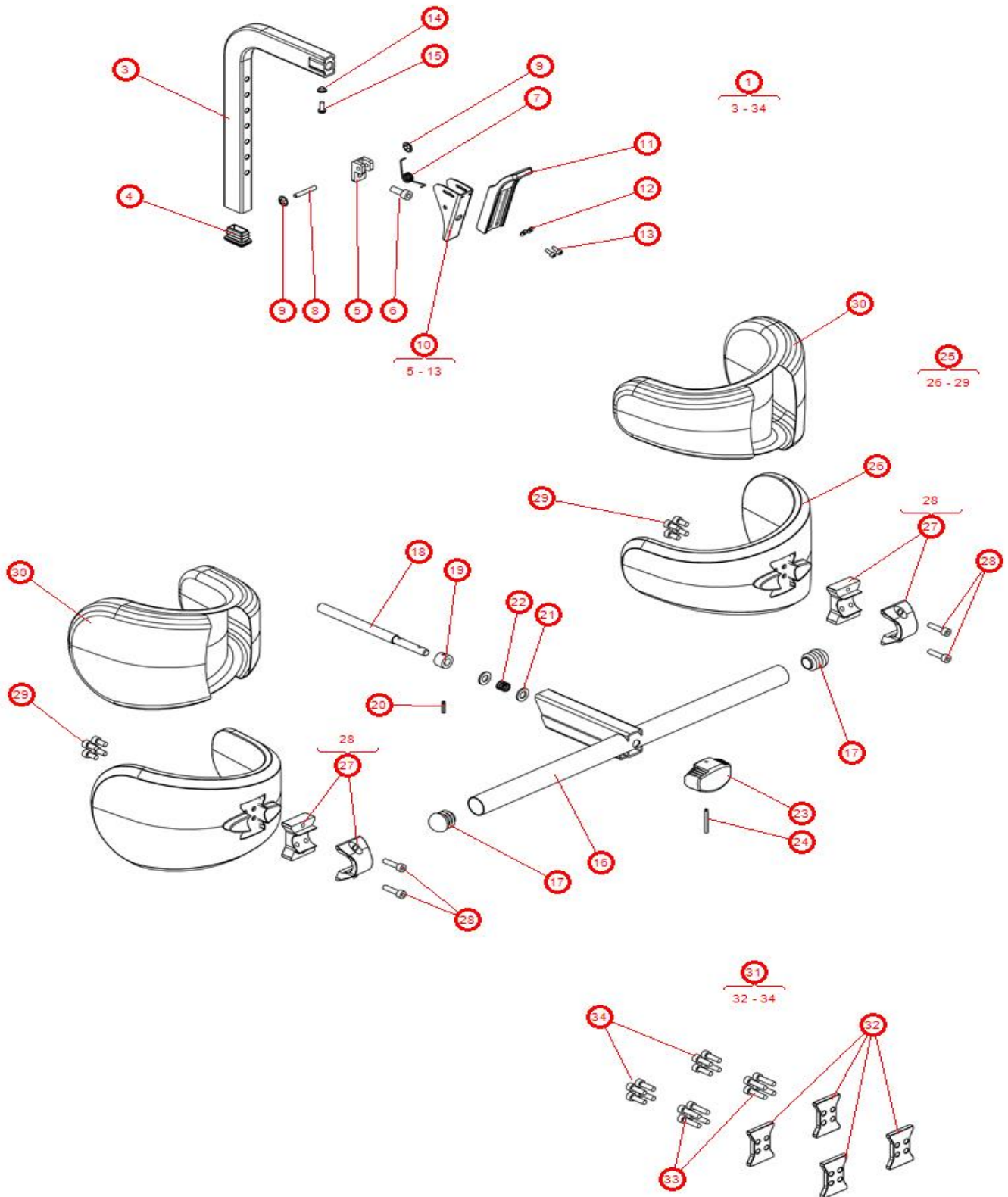
Spare Parts Catalog

Online Books > Illustrated Part Catalogs > Corpus VS > Knee support

Drawing

Last update: 8/26/2014 9:06:55 AM

Version: 1.0.0



Positions

Pos	Part	Description	Qty	Sell
1.2	1831277	KNEESTOP CORPUS VS,CORPUS COMPLETE w/HDW&UPHOLSTERY		
3.1	1832748	INNER TUBE	1	No
4.2	1830998	PLUG,KNEESTOP BRKT,LOWER CORPUS, CORPUS VS, EACH	1	
5.1	323249	LOCK	1	No
6.1	600743-99-0	BOLT MC6S 6x16 fzb	1	
7.1	323376	SPRING	1	No
8.1	614567	PARALLEL PIN ISO 2338 h8 4x28 A1	1	No
9.1	614568	QUICK LOCK WASH PN-4 O4	1	No
10.1	1831240	POSITIONING LOCK,KNEESTOP CORPUS, CORPUS VS	1	
11.1	323384	HANDLE	1	No
12.1	614046	PLAIN WASHER NFE 25513 Fe/Zn 3,2x8x0,8	1	No
13.1	602690-99-0	BOLT MC6S 3x8 fzb	1	
14.1	323251	SPACER	1	No
15.1	614633	SCREW ISO 7380 M4x10 Fe/Zn DIN 267-28	1	No
16.1	323365	FRAME	1	No
17.2	1823260	PLASTIC PLUG, 0.875", PS O22x25 (O19-20)(22X1-1.5)	1	
18.1	323256	SCREW	1	No
19.1	323572	SPACER	1	No
20.1	614668	PARALLEL PIN DIN 1470 3x14	1	No
21.1	601427-99-0	WASH BRB 8.4x15x1.6 fzb DIN 433	1	
22.1	614707	SPRING TF 1,2x9x20 (Dt x Di x L0)	1	No
23.1	323247	PLASTIC KNOB	1	No
24.1	614615	PARALLEL PIN DIN 1470 3x30	1	No
25.2	1830899	KNEESTOP PAD,EACH,w/CLAMP BRKT,NO COVER, CORPUS/VS		
26.1	1831533	KNEESTOP	1	No
27.2	1830900	BRACKET, CHEST SUPPORT KNEESTOP,CORPUS,CORPUS VS	1	
28.1	600543-99-0	BOLT MC6S 5x20 fzb	1	
29.1	600189-99-0	BOLT MC6S 5x10 fzb ISO 4762	1	
30.2	1831189	UPHOLSTERY w/FOAM INSTERT KNEESTOP, EACH, CORPUS/VS		
31.2	1830999	SPACER KIT, KNEESTOP BRKT CORPUS, CORPUS VS, 2 sets	1	
32.1	323141	BRACKET	1	No
33.1	600543-99-0	BOLT MC6S 5x20 fzb	1	
34.1	601165-99-0	BOLT MC6S 5x16 fzb	1	

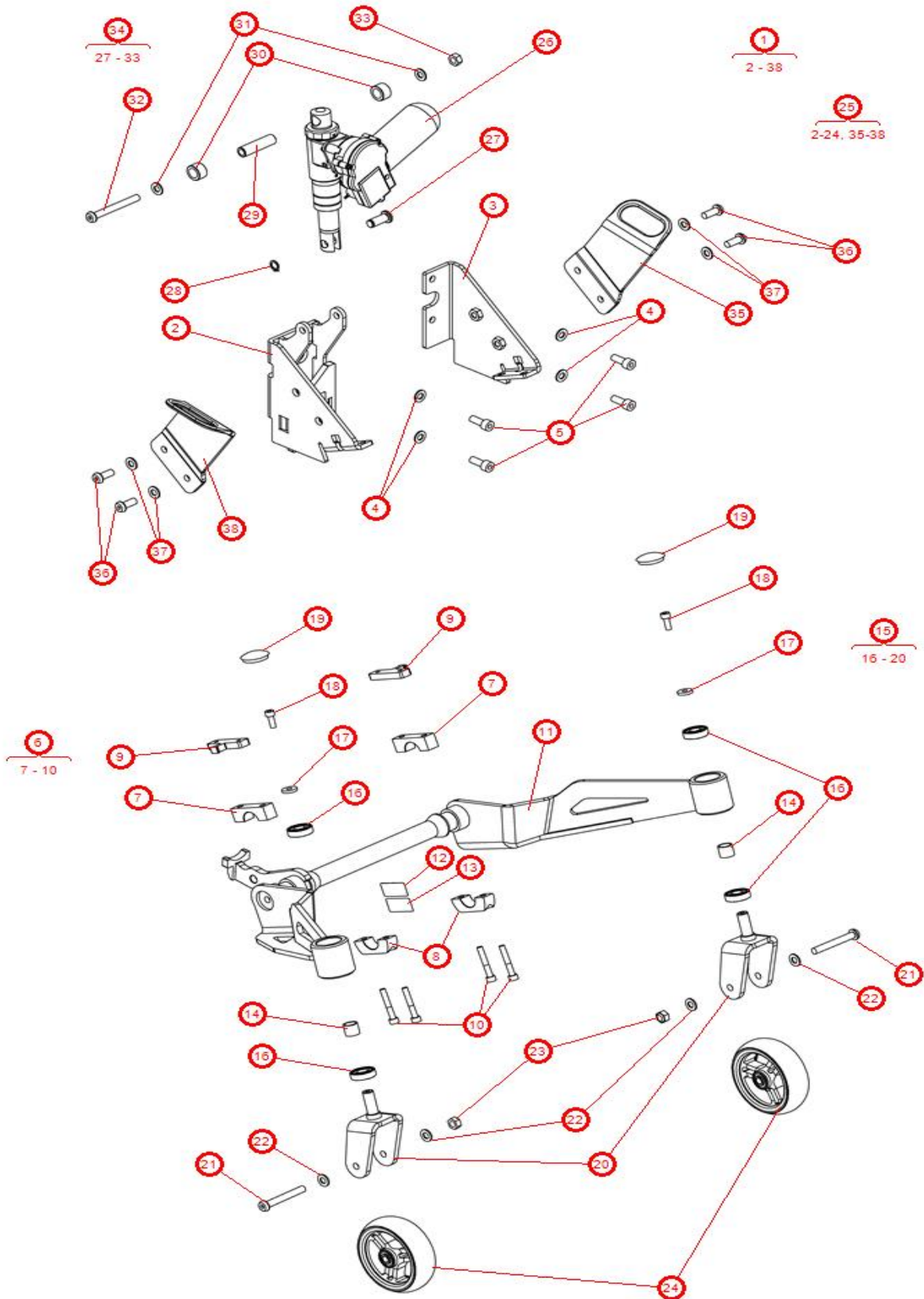
Spare Parts Catalog

Online Books > Illustrated Part Catalogs > Corpus VS > Supportwheel

Drawing

Last update: 12/5/2014 2:03:52 PM

Version: 1.0.0



Positions

Pos	Part	Description	Qty	Sell
1.1	323227	SUPPORT WHEELS VS	1	No
2.1	323128	BRACKET RIGHT	1	No
3.1	324510	BRACKET LEFT	1	No
4.1	600239-99-0	WASH BRB 8.4x16x1.6 fzb STD - ZINC PLATED	4	
5.1	600203-99-0	BOLT M8 x 20mm SHCS ZINC PLATED (8.8)	4	
6.1	1831097	SUPPORT WHEELS, BEARING KIT, PAIR, CORPUS VS	1	
7.1	324376	BUSH	2	No
8.1	323130	BUSH	2	No
9.1	324238	NUT	2	No
10.1	601756-99-0	BOLT MC6S 6x40 fzb	4	
11.1	322749	FRAME	1	No
12.1	324883	STICKER	1	No
13.1	324885	STICKER	1	No
14.2	1831708	SPACER, WHEELFORK,SUPPORT WHEEL, CORPUS VS	1	
15.1	1831099	REPAIR KIT, SUPPORT WHEEL CORPUS VS,INCL FORK & HDWI		
16.2	1831701	BALL BEARING, CORPUS VS SUPPORT WHEELS, EACH	4	
17.1	612799	WASHER DIN 7349 6,4x17x3 Fe/Zn	2	No
18.1	600743-99-0	BOLT MC6S 6x16 fzb	2	
19.1	1831100	PLASTIC PLUG O32x9.5(O28) SUPPORT WHEEL, CORPUS VS	2	
20.1	323214	WHEEL FORK	2	No
21.2	1831702	SCREW M8x60 10.9 Fe/Zn BHCS	2	
22.1	600239-99-0	WASH BRB 8.4x16x1.6 fzb STD - ZINC PLATED	4	
23.1	600228-99-0	NYLOCK NUT M8 ZINC PLATED	2	
24.1	1831101	WHEEL- SUPPORT WHEEL EACH, F3 F5	2	
25.1	1831098	SUPPORT WHEEL, LOWER ASSY NO ACTUATOR, F5 CORPUS VS		
26.2	1831095	ACTUATOR 25+35 STROKE SUPPORT WHEELS, CORPUS VS	1	
27.1	324434	SHAFT	1	No
28.1	600271-99-0	CIRCLIP SGA 10 CHHD, KO, CORPUS 3G/VS,KO	1	
29.1	322743	SOCKET	1	No
30.1	323174	SOCKET	2	No
31.1	600239-99-0	WASH BRB 8.4x16x1.6 fzb STD - ZINC PLATED	2	
32.1	614533	SCREW ISO 7380 M8x70 Fe/Zn	1	No
33.1	600228-99-0	NYLOCK NUT M8 ZINC PLATED	1	
34.1	1831096	BOLT KIT -SUPPORT WHEELS ACTUATOR, CORPUS VS	1	
35.1	324881	HOOK TIE-DOWN FRONT LEFT	1	No
36.1	601340-99-0	BOLT K6S 8x20 fzb	4	
37.1	600239-99-0	WASH BRB 8.4x16x1.6 fzb STD - ZINC PLATED	4	
38.1	324880	HOOK TIE-DOWN FRONT RIGHT	1	No

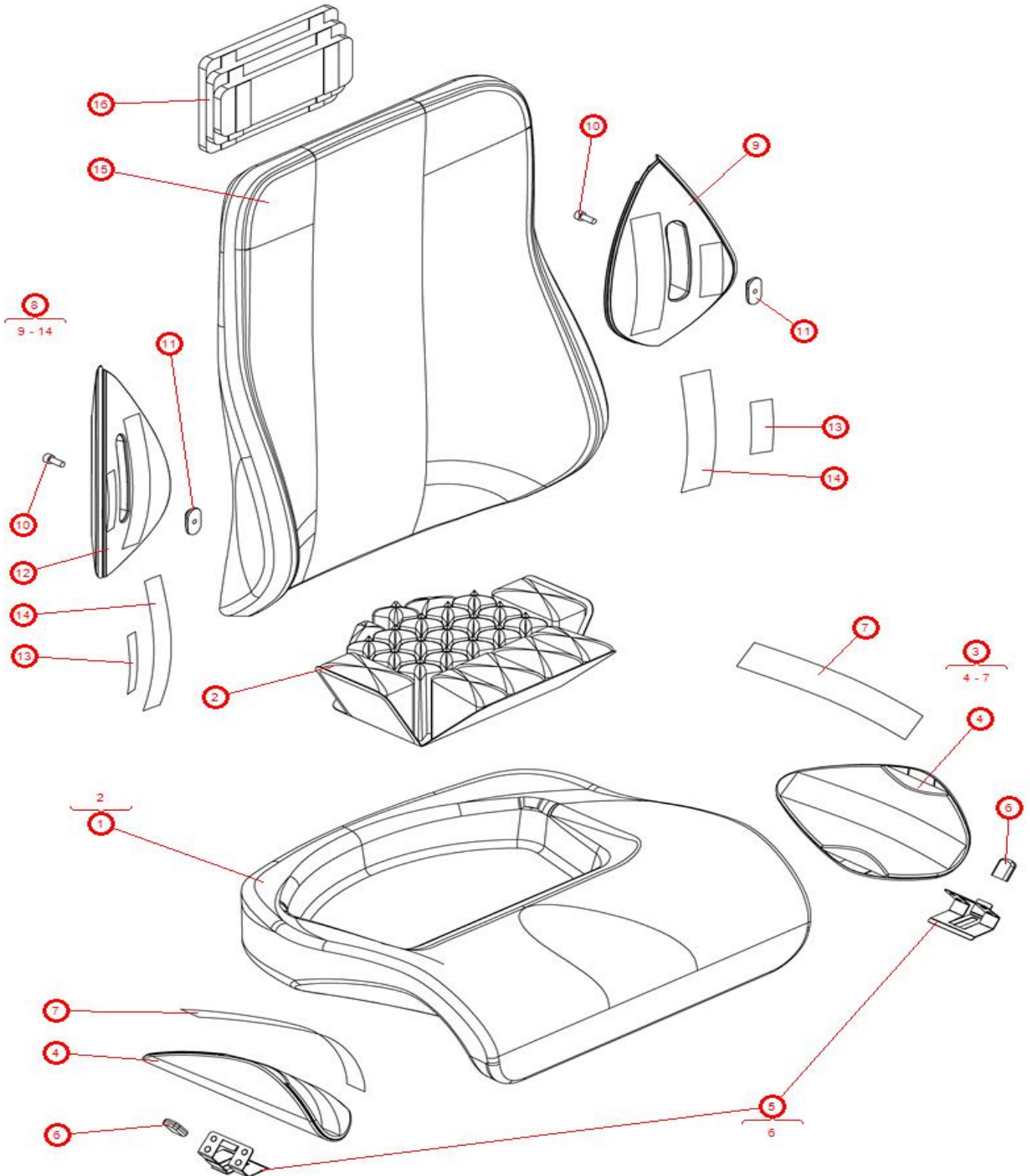
Spare Parts Catalog

Online Books > Illustrated Part Catalogs > Corpus VS > Cushion and supports

Drawing

Last update: 6/19/2013 8:54:52 AM

Version: 1.0.2



Positions

Pos	Part	Description	Qty	Sell
1.1	1826136	REPLACED BY 1828633 SEAT CUSHION 17"X17"	1	
1.3	1826138	REPLACED BY 1828637 SEAT CUSHION 17"x21" SKAI	1	
1.4	1826139	REPLACED BY 1828639 SEAT CUSHION 19"x17"	1	
1.5	1826140	REPLACED BY 1828584 LEATHERETTE,C3G,19x19	1	
1.6	1828586	SEAT CUSHION, 19"x21" LEATHERETTE, ALL CORPUS	1	
1.7	1826142	REPLACED BY 1828641 21"x17", LEATHERETTE,C3G	1	
1.8	1826143	REPLACED BY 1828588 SEAT CUSH 21"x19" LEATHER	1	
1.9	1826156	SEAT CUSHION 17"x21" BLACK MESH, ALL CORPUS	1	
1.10	1826158	SEAT CUSHION 19"x19" BLACK MESH, ALL CORPUS	1	
1.11	1826159	REPLACED BY 1828587 SEAT CUSHION 19"x21"BLACK	1	
1.12	1826160	REPLACED BY 1828642 SEAT CUSHION 21"x17" MESH	1	
1.13	1826161	REPLACED BY 1828589 SEAT CUSHION 21"x19"BLACK	1	
1.14	1828591	SEAT CUSHION, 21"x21" BLACK MESH, ALL CORPUS	1	
1.24	1828633	SEAT CUSHION 17"x17" LEATHERETTE, ALL CORPUS	1	
1.25	1828634	SEAT CUSHION 17"x17" BLACK MESH, ALL CORPUS	1	
1.26	1828586	SEAT CUSHION, 19"x21" LEATHERETTE, ALL CORPUS	1	
1.27	1828587	SEAT CUSHION 19"x21" BLACK MESH, ALL CORPUS	1	
1.28	1828641	SEAT CUSHION, 21"x17" LEATHERETTE, ALL CORPUS	1	
1.29	1828642	SEAT CUSHION 21"x17" BLACK MESH, ALL CORPUS	1	
1.30	1828588	SEAT CUSHION 21"x19" LEATHERETTE, ALL CORPUS	1	
1.31	1828589	SEAT CUSHION 21"x19" BLACK MESH, ALL CORPUS	1	
1.32	1828590	SEAT CUSHION 21"x21" LEATHERETTE, ALL CORPUS	1	
1.33	1828635	SEAT CUSHION 17"x19" LEATHERETTE, ALL CORPUS	1	
1.34	1828636	SEAT CUSHION 17"x19" BLACK MESH, ALL CORPUS	1	
1.35	1828637	SEAT CUSHION 17"x 21" LEATHERETTE, ALL CORPUS	1	
1.36	1828638	SEAT CUSHION 17"x21" BLACK MESH, ALL CORPUS	1	
1.37	1828639	SEAT CUSHION 19" x 17" LEATHERETTE, ALL CORPUS	1	
1.38	1828640	SEAT CUSHION 19"x17" BLACK MESH, ALL CORPUS	1	
1.39	1828584	SEAT CUSHION 19"x19" LEATHERETTE, ALL CORPUS	1	
1.40	1828585	SEAT CUSHION 19"x19" BLACK MESH, ALL CORPUS	1	
1.41	1828920	SEAT CUSHION, ERGO AIR CORPUS/3G/VS, 17"x17"	1	
1.42	1828921	SEAT CUSHION, ERGO AIR CORPUS/3G/VS, 17"x19"	1	
1.43	1828922	SEAT CUSHION, ERGO AIR CORPUS/C3G/VS, 17"x21"	1	
1.44	1828923	SEAT CUSHION, ERGO AIR CORPUS/C3G/VS, 19"x17"	1	
1.45	1828924	SEAT CUSHION, ERGO AIR CORPUS/C3G/VS, 19"x19"	1	
1.46	1828925	SEAT CUSHION, ERGO AIR CORPUS/3G/VS, 19"x21"	1	
1.47	1828926	SEAT CUSHION, ERGO AIR CORPUS/C3G/VS, 21"x17"	1	
1.48	1828927	SEAT CUSHION, ERGO AIR CORPUS/C3G/VS, 21"x19"	1	
1.49	1828928	SEAT CUSHION, ERGO AIR CORPUS/C3G/VS, 21"x21"	1	
2.1	1829901	ROHO INSERT 15" BLACK ERGO AIR CUSHIONS	1	
2.2	1829902	ROHO INSERT 17" BLACK ERGO AIR CUSHIONS	1	
3.1	1825736	SEAT WEDGE, ERGO, PAIR THIGH SUPPORT, ALL CORPUS	1	
4.1	321818	Support	1	No
5.1	321827	Bracket Thigh support	1	No
6.1	1826969	CAP, THIGH SUPPORT, EACH ALL CORPUS SEAT WEDGE	1	
7.1	321487	Velcro tape W=30 L=245	1	No
8.1	1826163	TRUNK SUPP ERGO SMALL PAIR,INCL HDW, ALL CORPUS	1	
8.2	1826164	TRUNK SUPP ERGO LARGE PAIR,INCL HDW, ALL CORPUS	1	
9.1	1826133	BACK WEDGE,LEFT,SMALL C3G ERGO, EACH, INCL BRACKETI		

Positions

Pos	Part	Description	Qty	Sell
9.2	1826131	BACK WEDGE,LEFT,LARGE C3G ERGO, EACH, INCL BRACKETI		
10.1	600743-99-0	BOLT MC6S 6x16 fzb	1	
11.1	1826461	NUT. BACK WEDGE, ERGO,C3G LATERAL BRKT, EACH	1	
12.1	1826134	BACK WEDGE,RIGHT,SmallC3G ERGO, EACH, INCL BRACKET	1	
12.2	1826132	BACK WEDGE,RIGHT, LRG,C3G ERGO, EACH, INCL BRACKET	1	
13.1	322077	Velcro tape W=20 L=65	1	No
14.1	322078	Velcro tape W=30 L=150	1	No
15.1	1826200	BACKREST CUSHION 14"x 20" LEATHERETTE, ALL CORPUS	1	
15.2	1826165	BACKREST CUSHION 16"x 20" LEATHERETTE, ALL CORPUS	1	
15.3	1826166	BACKREST CUSHION 18"x 20" LEATHERETTE, ALLL CORPUS	1	
15.4	1828727	BACKREST CUSHION 20"x20" LEATHERETTE, ALL CORPUS	1	
15.5	1826167	BACKREST CUSH 14"x 23-25" LEATHERETTE, ALL CORPUS	1	
15.6	1826168	BACKREST CUSH 16"x 23-25" LEATHERETTE, ALL CORPUS	1	
15.7	1826169	BACKREST CUSH 18"x 23-25" LEATHERETTE, ALL CORPUS	1	
15.8	1828724	BACKREST CUSH 20"x23-25" LEATHERETTE, ALL CORPUS	1	
15.9	1826170	BACKREST CUSH 14"x 26-28" LEATHERETTE, ALL CORPUS	1	
15.10	1826171	BACKREST CUSH 16"x 26-28" LEATHERETTE, ALL CORPUS	1	
15.11	1826172	BACKREST CUSH 18"x 26-28" LEATHERETTE, ALL CORPUS	1	
15.12	1828725	BACKREST CUSH 20"x26-28" LEATHERETTE, ALL CORPUS	1	
15.13	1826173	BACKREST CUSH 14"x 20" BLACK MESH, ALL CORPUS	1	
15.14	1826174	BACKREST CUSH 16"x 20" BLACK MESH, ALL CORPUS	1	
15.15	1826175	BACKREST CUSH 18"x 20" BLACK MESH, ALL CORPUS	1	
15.16	1828726	BACKREST CUSH 20"x20" BLACK MESH, ALL CORPUS	1	
15.17	1826176	BACKREST CUSH 14"x 23-25" BLACK MESH, ALL CORPUS	1	
15.18	1826177	BACKREST CUSH 16"x 23-25" BLACK MESH, ALL CORPUS	1	
15.19	1826178	BACKREST CUSH 18"x 23-25" BLACK MESH, ALL CORPUS	1	
15.20	1828722	BACKREST CUSH 20"x23-25" BLACK MESH, ALL CORPUS	1	
15.21	1826179	BACKREST CUSH 14"x 26-28" BLACK MESH, ALL CORPUS	1	
15.22	1826180	BACKREST CUSH 16"x 26-28" BLACK MESH, ALL CORPUS	1	
15.23	1826181	BACKREST CUSH 18"x 26-28" BLACK MESH, ALL CORPUS	1	
15.24	1828723	BACKREST CUSH 20"x26-28" BLACK MESH, ALL CORPUS	1	
16.1	1826130	LUMBAR SUPPORT, CORPUS/3G	1	

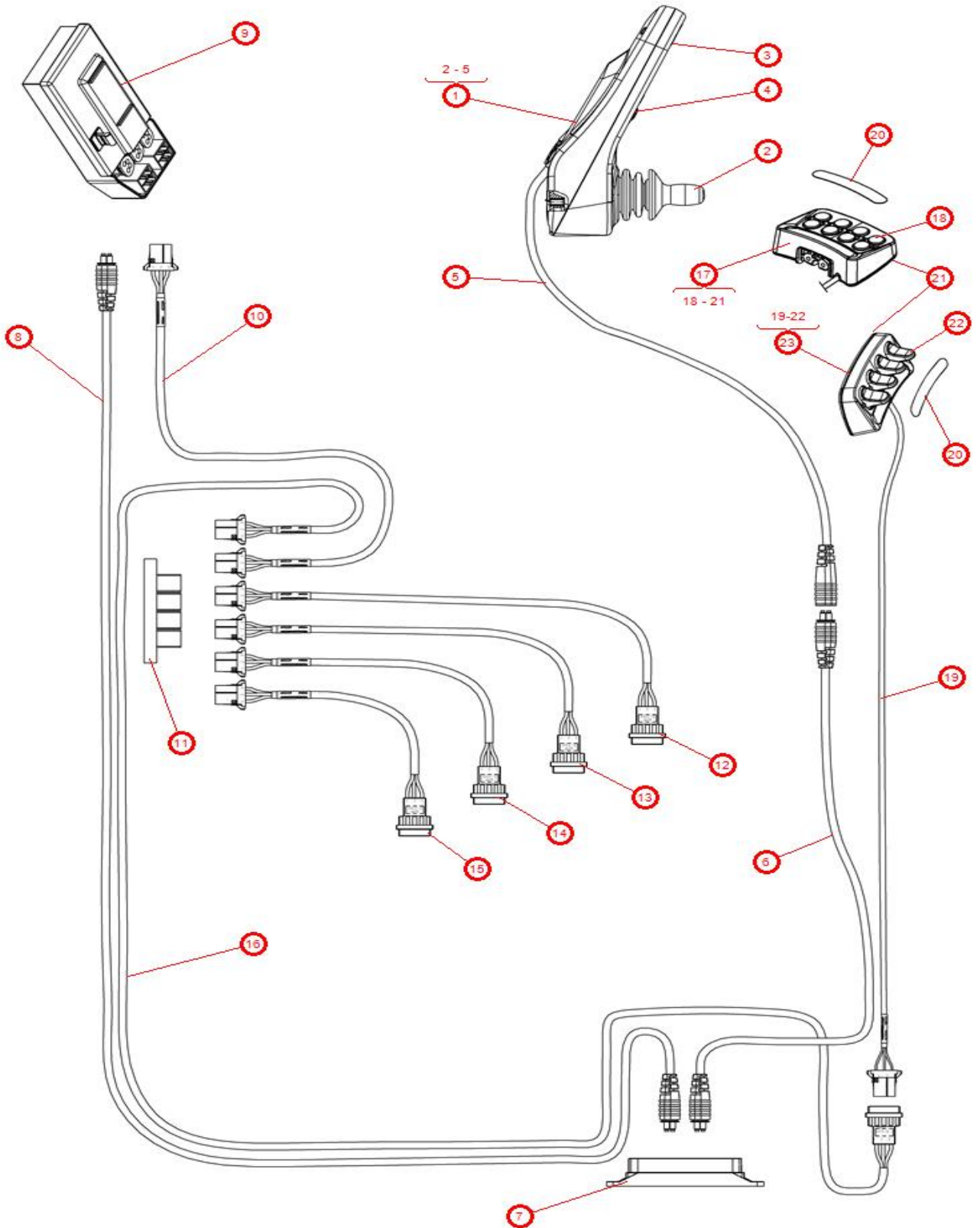
Spare Parts Catalog

Online Books > Illustrated Part Catalogs > Corpus VS > Cables & Electronics

Drawing

Last update: 12/11/2014 11:11:05 AM

Version: 1.0.0



Positions

Pos	Part	Description	Qty	Sell
1.1	1822389	R-NET STD JOYST MODULE w/ LIGHTS, MONO-JACKS	1	
1.2	1822390	R-NET STD JOYST MODULE w/ LIGHTS, TOGGLES	1	
1.3	1826677	R-NET JSM L W/SPEED POT	1	
1.4	1826545	R-NET STD JOYST MODULE w/ LIGHTS, SPD POT, TOGGLE	1	
1.5	1825758	R-NET LED JOYST MODULE w/ LIGHTS (0.7m CABLE)	1	
1.6	1825746	R-NET COLOR JOYST MODULE w/ LIGHTS, MONO-JACKS	1	
1.7	1826675	R-NET COLOR JOYST MODULE LIGHTS-SW-POT PERMOBIL	1	
1.8	1826544	R-NET COLOR JOYST MODULE w/ LIGHTS, TOGGLES	1	
1.9	1826588	R-NET COLOR JOYST MODULE w/ LIGHTS, SPD POT,TOGGLE	1	
2.1	1823297	JOYST KNOB, STANDARD R-NET, VSI, VR2	1	
3.1	1826509	KEYPAD, FRONT, MONO/COLOR R-NET JSM, WITH LIGHTS	1	
4.1	1826510	KEYPAD, REAR, MONO/COLOR R-NET JSM, WITH LIGHTS	1	
5.1	1826820	CABLE, R-NET JSM, COLOR AND MONOCHROME	1	
6.1	1821538	R-NET BUS CABLE 0.5m / 20" LONG, MALE-MALE	1	
7.1	1821537	R-NET BUS CONNECTOR BLOCK 4-PORT	1	
8.1	1821526	R-NET BUS CABLE 2.5m / 98.5" LONG, MALE-MALE	1	
9.1	1830728	PCB ICS MASTER MODULE INCL CASE, F3 F5	1	
10.1	1821531	ICS BUS CABLE, 1.5 METER 59"LONG, MALE - MALE	1	
11.1	1821304	8 PORT JUNCTION HUB ICS w/oBOLTS,CII/C3G,PS,VS,MX	1	
12.1	1825769	CABLE ICS EXTENSION 1.3M 1.3METER = 4.27 FEET	1	
13.1	1821827	ICS CABLE EXTENSION 700mm MALE - FEMALE	1	
14.1	1821533	ICS CABLE EXTENSION 500mm APROX 20", MALE - FEMALE	1	
15.1	1821532	Cable Switchbox extension 300mm	1	No
16.1	1825769	CABLE ICS EXTENSION 1.3M 1.3METER = 4.27 FEET	1	
17.1	1823293	ICS SWITCHBOX, BUTTONS, 1.4m ICS CABLE	1	
18.1	1823850	PUSH BUTTON OVERLAY, ICS SWITCHBOX	1	
19.1	1821527	CABLE, ICS SWITCHBOX 1.4m CORPUS 3G/HD,CII,PS,PSJr	1	
20.1	1822329	DECAL SET, SWITCHBOX ICS	1	
21.1	1826515	SWITCHBOX BOTTOM, ICS	1	
22.1	1823851	TOGGLE OVERLAY, ICS SWITCHBOX	1	
23.1	1823294	ICS SWITCHBOX, TOGGLES 1.4M CABLE, WITH DECALS	1	

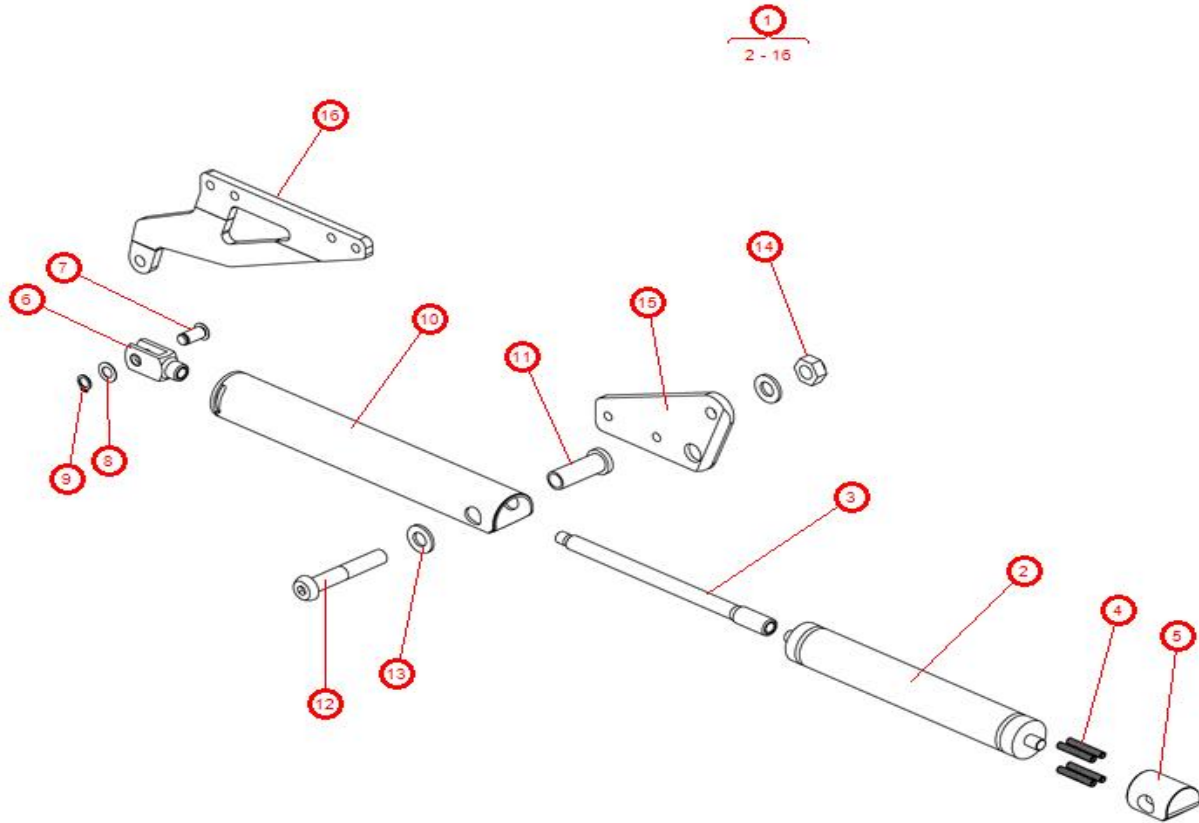
Spare Parts Catalog

Online Books > Illustrated Part Catalogs > Corpus VS > Fall protection

Drawing

Last update: 11/19/2015 3:14:39 PM

Version: 1.0.0



Positions

Pos	Part	Description	Qty	Sell
1.1	1831505	FALL DOWN PROTECTOR DAMPER,AP-ELEV, CORPUS VS	1	
2.1	614717	OIL DAMPER	1	No
3.1	325224	PISTON ROD	1	No
4.1	614752	SPRING TF 0,8x4x28	1	No
5.1	325195	END PLUG	1	No
6.1	325222	END FITTING	1	No
7.1	325226	PIN O8	1	No
8.1	612531-99-0	SPACER DB DIN988 8x14x0.5 *	1	
9.1	600503-99-0	CIRCLIP SGA 8	1	
10.1	325194	TUBE	1	No
11.1	325242	SPACER L=38,5	1	No
12.1	613374	SCREW ISO 7380 M10x60 Fe/Zn	1	No
13.1	600241-99-0	WASH BRB 10.5x20x2 fzb	1	
14.1	600229-99-0	LOCK NUT M10 FZB	1	
15.1	325196	BRACKET REAR	1	No
16.1	325223	BRACKET FRONT	1	No