

SCB-68 User Guide

68-Pin Shielded Desktop Connector Block

This guide describes how to connect and use the NI SCB-68 with 68-pin or 100-pin data acquisition (DAQ) devices and other NI products with a 68-pin SCSI or VHDCI I/O connector. For a complete list of supported devices and available SCB-68 features, refer to the KnowledgeBase document, *Compatible Devices and Cabling for the NI SCB-68 Terminal Block*. To access this document, go to ni.com/info and enter the info code scb68dev.

Figure 1 shows the SCB-68 connector block.

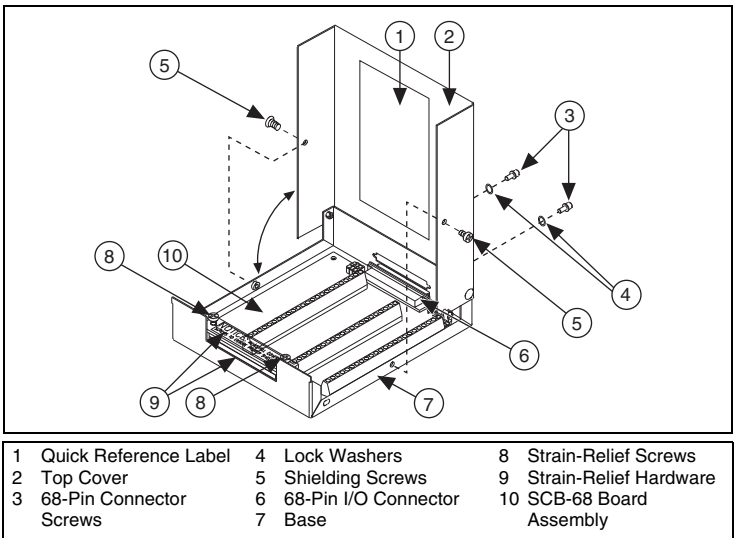


Figure 1. SCB-68 Parts Locator Diagram



Note To use the SCB-68 with devices without analog input functionality, you *must* change the default switch setting. Refer to the [Using the SCB-68 in Direct Feedthrough Mode](#) section for more information.

What You Need to Get Started

To set up and use your SCB-68, you need the following:

- SCB-68 68-pin shielded connector block kit(s)¹, containing the SCB-68, SCB-68 quick reference label, and *SCB-68 User Guide*
- Compatible 68-pin or 100-pin DAQ device, and device documentation
- The correct cable(s) for your device, as listed in the KnowledgeBase document, *Compatible Devices and Cabling for the NI SCB-68 Terminal Block*. To access this document, go to ni.com/info and enter the info code `scb68dev`.
- Phillips #1 and #2 screwdrivers
- 0.125 in. flathead screwdriver
- 14–30 AWG wire
- Wire cutters
- Wire insulation stripper

Getting Started with the SCB-68

The following cautions contain important safety information concerning hazardous voltages and connector blocks.



Cautions To avoid electrical shock, do *not* remove equipment covers or shields unless you are qualified to do so. Before removing the cover, disconnect any live circuit from the connector block.

The chassis ground terminals on your SCB-68 are for grounding high-impedance sources, such as a floating source (1 mA maximum). Do *not* use these terminals as safety earth grounds.

Do *not* connect hazardous voltages ($\geq 42 V_{pk}/60 VDC$).

¹ You can use up to two SCB-68 accessories with AO/M Series devices with two connectors and E Series 100-pin devices.

You can use up to four SCB-68 accessories with R Series devices with four connectors, and up to three SCB-68 accessories with R Series devices with three connectors.

Figure 2 shows the SCB-68 board parts locator diagram.

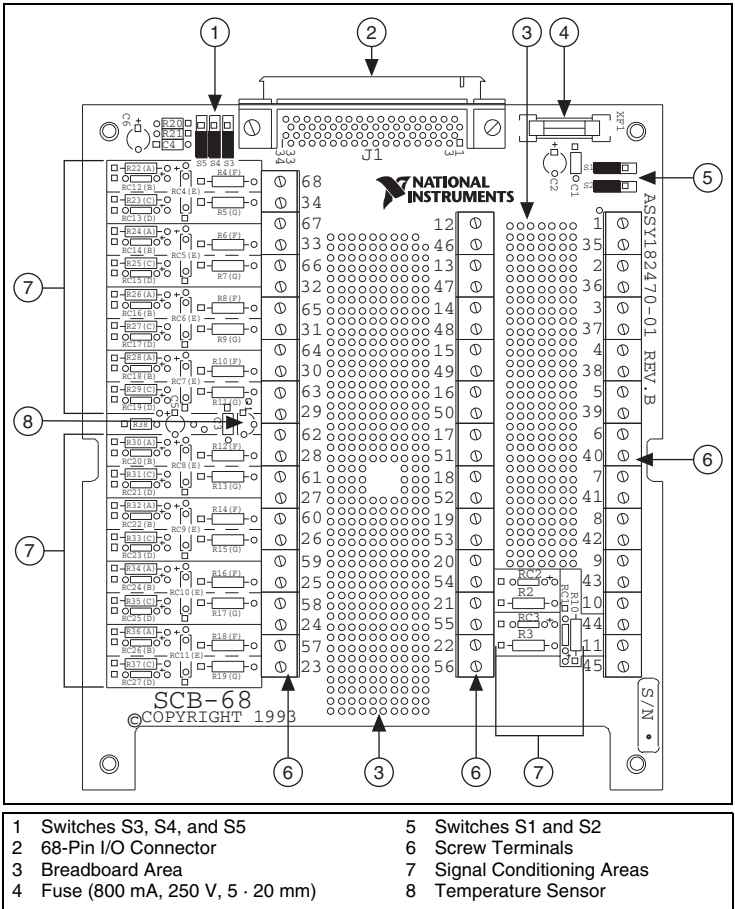


Figure 2. SCB-68 Printed Circuit Board Diagram

To get started with the SCB-68, complete the following steps while referring to Figures 1 and 2. If you have not already installed your DAQ device, refer to the *DAQ Getting Started Guide* for instructions.

1. Disconnect the cable from the SCB-68, remove the shielding screws with a Phillips #1 screwdriver, and open the top cover.
2. Attach the quick reference label to the inside of the top cover as shown in Figure 1. For quick reference label PDFs for most compatible devices, refer to the KnowledgeBase document, *Where Can I Find*

SCB-68/SCB-100 Quick Reference Labels?. To access this KnowledgeBase, go to ni.com/info and enter the info code `rdwpdf`.

3. Configure switches for the signal types you are using, as explained in the *Using the SCB-68 in Direct Feedthrough Mode* section or the *Using the SCB-68 with MIO DAQ Devices* section.
4. Adjust the strain-relief hardware by loosening the strain-relief screws with a Phillips #2 screwdriver and sliding the signal wires through the front panel strain-relief opening. If you are connecting multiple signals, remove the top strain-relief bar and add insulation or padding if necessary.
5. Connect the wires to the screw terminals by stripping 6.35 mm (0.25 in.) of insulation, inserting the wires into the screw terminals, and securely tightening the screws with the flathead screwdriver to a torque of 0.5–0.6 N · m (4.43–5.31 lb · in.).
6. Reinstall the strain-relief (if removed) and tighten the strain-relief screws.
7. Close the top cover and reinsert the shielding screws to ensure proper shielding.



Caution Do not connect input voltages $\geq 42.4 V_{pk}/60$ VDC to the SCB-68. The SCB-68 is not designed for any input voltages $\geq 42.4 V_{pk}/60$ VDC, even if a user-installed voltage divider reduces the voltage to within the input range of the DAQ device. Input voltages $\geq 42.4 V_{pk}/60$ VDC can damage the SCB-68, all devices connected to it, and the host computer.

8. Connect the SCB-68(s) to the DAQ device using the appropriate cable(s) for your device. For a complete list of cabling options for supported devices, refer to the KnowledgeBase document, *Compatible Devices and Cabling for the NI SCB-68 Terminal Block*. To access this document, go to ni.com/info and enter the info code `scb68dev`.
9. Launch Measurement & Automation Explorer (MAX), confirm that your DAQ device is recognized, and configure your device settings. Refer to the *DAQ Getting Started Guide* for more information.
10. (Optional) If you are going to take measurements with an MIO DAQ device, configure the SCB-68 as an accessory for a DAQ device using MAX by completing the following steps.
 - a. Navigate to MAX by selecting **Start»Programs»National Instruments»Measurement & Automation**.
 - b. In the left pane of MAX, expand **Devices and Interfaces**, then right-click on your DAQ device and select **Properties** from the pull-down menu.
 - c. Select the **Accessory** tab from the dialog box, select **SCB-68** from the pull-down menu, then select **Configure**.

For more information about configuring the SCB-68 for a DAQ device, refer to the *Measurement & Automation Explorer Help for NI-DAQmx*.

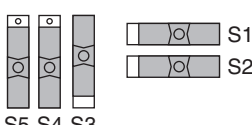
11. Test specific device functionality. Refer to the *DAQ Getting Started Guide* for detailed information about running test panels in MAX.

When you have finished using the SCB-68, power off any external signals connected to the SCB-68 before you power off your computer.

Using the SCB-68 in Direct Feedthrough Mode

High-Speed Digital I/O (DIO), NI Switch, R Series, AO Series, and TIO Series devices, and devices without analog input functionality *must* use direct feedthrough mode. Move the switches to the direct feedthrough mode switch setting shown in Table 1.

Table 1. Direct Feedthrough Switch Setting

Switch Setting	Description
 <p>S5 S4 S3</p> <p>S1 S2</p>	<p>Direct feedthrough mode—Move switches S1, S2, S3, S4, and S5 to the positions shown at left. In this mode:</p> <ul style="list-style-type: none"> All 68 signals from the device connect directly to screw terminals. <p>Refer to Figure 3 for a detailed diagram.</p>

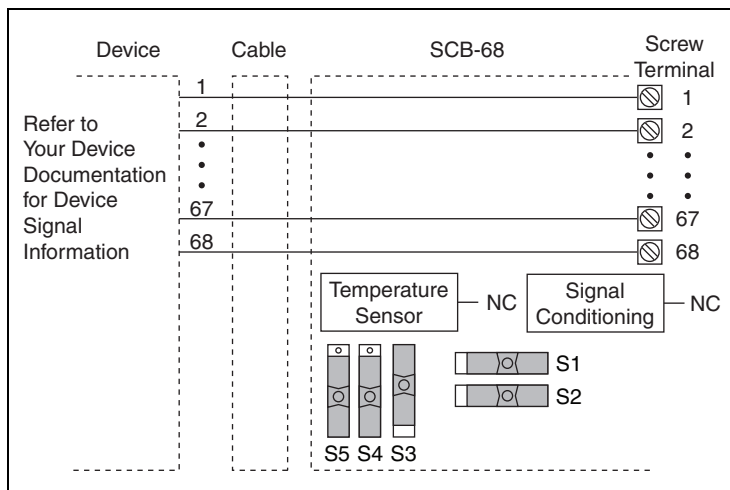


Figure 3. Direct Feedthrough Mode Switch Setting

Using the SCB-68 with MIO DAQ Devices

You can take measurements with the SCB-68 and multifunction I/O (MIO) DAQ devices, such as E/M/S Series devices, in a number of ways. Switches S1 and S2 provide power to the signal conditioning area of the accessory. The SCB-68 has a temperature sensor for cold-junction compensation (CJC) to accommodate thermocouples; switches S3, S4, and S5 configure the temperature sensor for different analog input settings. Table 2 shows the different switch settings for MIO DAQ devices.

Table 2. MIO DAQ Device Switch Settings

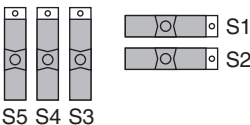
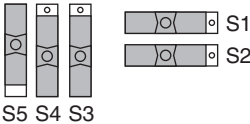
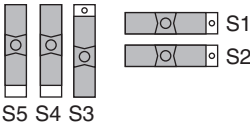
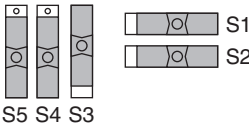
Switch Setting	Description
 <p>S5 S4 S3</p> <p>S1 S2</p>	<p>MIO with disabled temperature sensor mode (default configuration)*—Move switches S1, S2, S3, S4, and S5 to the positions shown at left. In this mode:</p> <ul style="list-style-type: none"> • The temperature sensor is not used. • AI 0 and AI 8 are available on screw terminals. • +5 V power provided to signal conditioning area of the accessory. <p>Refer to Figure 4 for a detailed diagram.</p>
 <p>S5 S4 S3</p> <p>S1 S2</p>	<p>MIO with single-ended temperature sensor mode*†—Move switches S1, S2, S3, S4, and S5 to the positions shown at left. In this mode:</p> <ul style="list-style-type: none"> • The temperature sensor can be read using AI 0 in referenced single-ended (RSE) mode. • AI 8 is available on a screw terminal. • +5 V power provided to signal conditioning area of the accessory. <p>Refer to Figure 4 for a detailed diagram.</p>
 <p>S5 S4 S3</p> <p>S1 S2</p>	<p>MIO with differential temperature sensor mode*—Move switches S1, S2, S3, S4, and S5 to the positions shown at left. In this mode:</p> <ul style="list-style-type: none"> • The temperature sensor can be read using AI 0 and AI 8 in differential mode. • +5 V power provided to signal conditioning area of the accessory. <p>Refer to Figure 4 for a detailed diagram.</p>

Table 2. MIO DAQ Device Switch Settings (Continued)

Switch Setting	Description
 <p>S5 S4 S3</p>	<p>Direct feedthrough mode—Move switches S1, S2, S3, S4, and S5 to the positions shown at left. In this mode:</p> <ul style="list-style-type: none"> All 68 signals from the device connect directly to screw terminals. <p>Refer to Figure 3 for a detailed diagram.</p>
<p>* Not available on Connector 1 of NI 6225/6255 devices. † Not available on S Series devices.</p>	

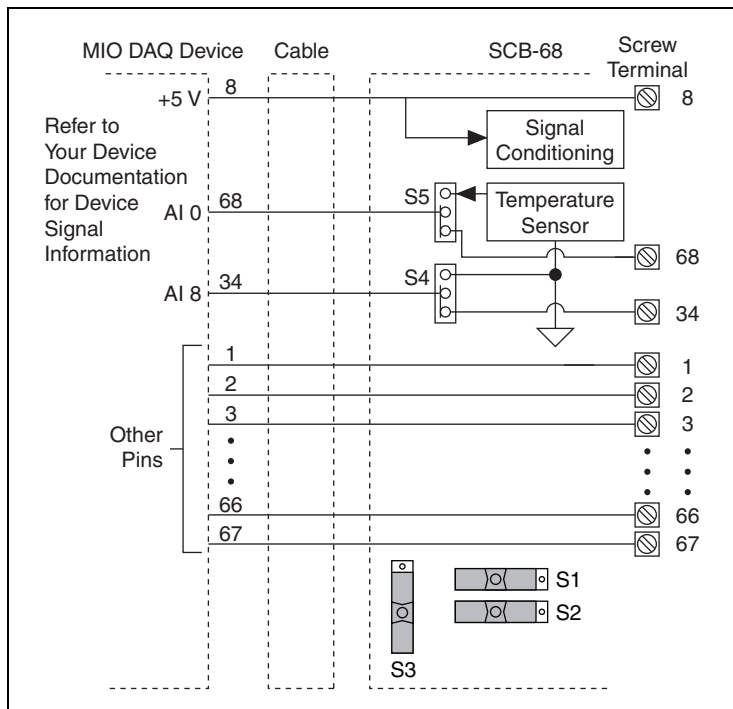


Figure 4. MIO DAQ Device Modes Switch Settings

Connecting Signal Sources to Analog Inputs

For detailed information about connections from floating or ground-referenced signal sources to analog inputs, refer to your device documentation.

Refer to the *SCB-68 User Manual for Advanced Functions* for more information about using the temperature sensor, taking thermocouple measurements, and adding bias resistors and signal conditioning components to the SCB-68.

Fuse and Power Information

Some DAQ devices provide +5 V power on pin 8 and pin 14. Pin 8 from the DAQ device is protected by an 800 mA, 250 V, 5 · 20 mm fuse on the SCB-68, shown in Figure 2. Shorting pin 8 to ground blows the fuse on the SCB-68. Pin 14 is *not* fuse-protected on the SCB-68. Shorting pin 14 will cause the fuse on the DAQ device to open.

If the SCB-68 does not work when you power on the DAQ device, check the switch settings, then check the fuse on the SCB-68, shown in Figure 2, and the output fuse (if any) on the DAQ device. Littelfuse part number 235.800 (www.littelfuse.com) is a suitable replacement fuse. Before replacing any fuses, check for short circuits from power to ground.

Refer to the *SCB-68 User Manual for Advanced Functions* for information about filtering the power on the SCB-68.

Where to Go from Here

Refer to the *SCB-68 User Manual for Advanced Functions*, available from ni.com/manuals, for information about the temperature sensor, thermocouple measurements, bias resistors, soldering components on the SCB-68, filtering, current input measurements, and accessory specifications.

National Instruments, NI, ni.com, and LabVIEW are trademarks of National Instruments Corporation. Refer to the *Terms of Use* section on ni.com/legal for more information about National Instruments trademarks. Other product and company names mentioned herein are trademarks or trade names of their respective companies. For patents covering National Instruments products/technology, refer to the appropriate location: **Help»Patents** in your software, the `patents.txt` file on your media, or the *National Instruments Patent Notice* at ni.com/patents.

© 1994–2009 National Instruments Corp. All rights reserved.