

NI PXI/PCI-5412 Specifications

14-Bit 100 MS/s Arbitrary Waveform Generator

このドキュメントには、日本語ページも含まれています。

This document lists specifications for the NI PXI/PCI-5412 arbitrary waveform generator. Unless otherwise noted, the following conditions were used for each specification:

- Interpolation set to maximum allowed factor for a given sample rate.
- Signals terminated with 50 Ω .
- Low-gain amplifier path set to 2 V_{pk-pk} , and high-gain amplifier path set to 12 V_{pk-pk} .
- Sample clock set to 100 megasamples per second (MS/s).

Specifications describe the warranted, traceable product performance over ambient temperature ranges of 0 °C to 55 °C, unless otherwise noted.

Typical values describe useful product performance beyond specifications that are not covered by warranty and do not include guardbands for measurement uncertainty or drift. Typical values may not be verified on all units shipped from the factory. Unless otherwise noted, typical values cover the expected performance of units over ambient temperature ranges of 23 \pm 5 °C with a 90% confidence level, based on measurements taken during development or production.

Nominal values (or supplemental information) describe additional information about the product that may be useful, including expected performance that is not covered under specifications or typical values. Nominal values are not covered by warranty.

Specifications are subject to change without notice. For the most recent NI 5412 specifications, visit ni.com/manuals.

To access all the NI 5412 documentation, navigate to **Start» All Programs»National Instruments»NI-FGEN»Documentation**.



Hot Surface If the NI 5412 has been in use, it may exceed safe handling temperatures and cause burns. Allow the NI 5412 to cool before removing it from the chassis.

Contents

CH 0.....	2
Sample Clock.....	8
Onboard Clock.....	11
Phase-Locked Loop (PLL) Reference Clock.....	11
Physical.....	12
Front Panel.....	13
CLK IN.....	14
PFI 0 and PFI 1.....	15
TClk Specifications.....	16
Start Trigger.....	17
Markers.....	19
Arbitrary Waveform Generation Mode.....	20
Calibration.....	22
Power.....	22
Software.....	23
Environment.....	24
NI PXI-5412 Environment.....	24
NI PCI-5412 Environment.....	25
Compliance and Certifications.....	26
Safety.....	26
Electromagnetic Compatibility (EMC).....	26
CE Compliance.....	26
Online Product Certification.....	26
Environmental Management.....	27
Where to Go for Support.....	28

CH 0

(Channel 0 Analog Output, Front Panel Connector)

Specification	Value	Comments
Number of Channels	1	—
Connector	SMB (jack)	—

Specification	Value			Comments	
Output Voltage Characteristics					
Output Paths	The software-selectable main output path setting provides full-scale voltages from 12.00 V _{pk-pk} to 5.64 mV _{pk-pk} into a 50 Ω load. NI-FGEN uses either the low-gain amplifier or the high-gain amplifier when the main output path is selected, depending on the value of the Gain property or NIFGEN_ATTR_GAIN attribute.			—	
DAC Resolution	14 bits			—	
Amplitude and Offset					
Amplitude Range	Path	Load	Amplitude (V _{pk-pk})		Amplitude values assume the full scale of the DAC is utilized. Create amplitudes smaller than the minimum value by using less than the full scale of the DAC. NI-FGEN compensates for user-specified resistive loads.
			Minimum Value	Maximum Value	
	Low-Gain Amplifier	50 Ω	0.00564	2.00	
		1 kΩ	0.0107	3.81	
		Open	0.0113	4.00	
	High-Gain Amplifier	50 Ω	0.0338	12.0	
		1 kΩ	0.0644	22.9	
Open		0.0676	24.0		
Amplitude Resolution	<0.06% (0.004 dB) of amplitude range			—	
Offset Range	Span of ±25% of amplitude range with increments <0.0014% of amplitude range.			—	
Maximum Output Voltage					
Maximum Output Voltage	Path	Load	Maximum Output Voltage (V _{pk})		The maximum output voltage of the NI 5412 is determined by the amplitude range and the offset range.
	Low-Gain Amplifier	50 Ω	±1.000		
		1 kΩ	±1.905		
		Open	±2.000		
	High-Gain Amplifier	50 Ω	±6.000		
		1 kΩ	±11.43		
Open		±12.00			

Specification	Value	Comments
Accuracy		
DC Accuracy	$\pm 0.2\%$ of amplitude range $\pm 0.05\%$ of offset $\pm 500 \mu\text{V}$ (within $\pm 10 \text{ }^\circ\text{C}$ of self-calibration temperature) $\pm 0.4\%$ of amplitude range $\pm 0.05\%$ of offset $\pm 1 \text{ mV}$ ($0 \text{ }^\circ\text{C}$ to $55 \text{ }^\circ\text{C}$) Note: For DC accuracy, <i>amplitude range</i> is defined as $2 \times$ the gain setting. For example, a DC signal with a gain of 8 has an amplitude range of 16 V. If this signal has an offset of 1.5, its DC accuracy is calculated by the following equation: $\pm 0.2\% \times (16 \text{ V}) \pm 0.05\% \times (1.5 \text{ V}) \pm 500 \mu\text{V} = \pm 33.25 \text{ mV}$	Calibrated for high-impedance load.
AC Amplitude Accuracy	(+2.0% + 1 mV), (-1.0% - 1 mV) (+0.8% + 0.5 mV), (-0.2% - 0.5 mV), typical	50 kHz sine wave.
Output Characteristics		
Output Impedance	50 Ω or 75 Ω nominal, software-selectable.	—
Output Coupling	DC	—
Output Enable	Software-selectable. When the output path is disabled, the CH 0 output is terminated to ground with a 1 W resistor equal to the selected output impedance.	—
Maximum Output Overload	The CH 0 output can be connected to a 50 Ω , $\pm 12 \text{ V}$ source without sustaining any damage. No damage occurs if the CH 0 output is shorted to ground indefinitely.	—
Waveform Summing	The CH 0 output supports waveform summing among similar paths—specifically, the output terminals of multiple NI 5412 signal generators can be connected directly together.	—

Specification	Value		Comments
Frequency and Transient Response			
Bandwidth	20 MHz		-3 dB
Digital Interpolation Filter	Software-selectable finite impulse response (FIR) filter. Available interpolation factors are 2, 4, or 8.		The digital filter is not available for use for Sample clock rates below 10 MS/s. Refer to the <i>Effective Sample Rate</i> section of the <i>Sample Clock</i> section for more information about the effect of interpolation on sample rates.
Passband Flatness	Low-Gain and High-Gain Amplifier Paths		With respect to 50 kHz.
	±1.0 dB from DC to 6 MHz		
Pulse Response	Path		All values are typical. Measured with a 1 m RG-223 cable.
	Low-Gain Amplifier	High-Gain Amplifier	
Rise/Fall Time	<20 ns	<20 ns	
Aberration	<5%	<5%	

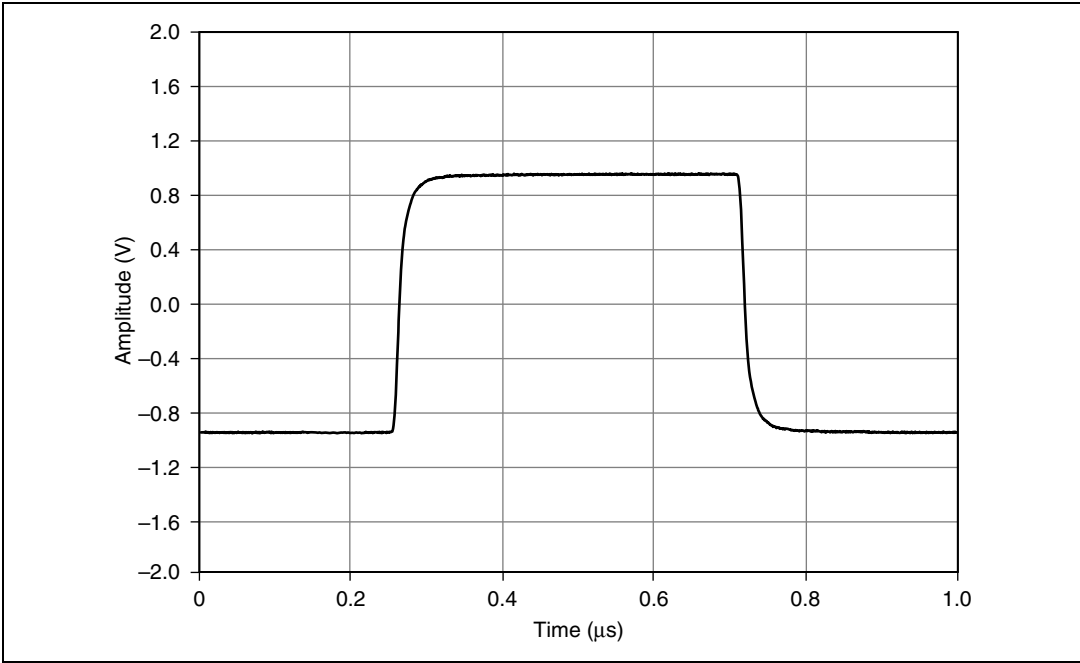


Figure 1. Pulse Response, Low-Gain Amplifier Path 50 Ω Load

Specification	Value		Comments
Suggested Maximum Frequencies for Common Functions			
Function	Path		The minimum frequency is <1 mHz. The value depends on memory size and device configuration.
	Low-Gain Amplifier	High-Gain Amplifier	
Sine	20 MHz	20 MHz	
Square	5 MHz	5 MHz	
Ramp	1 MHz	1 MHz	
Triangle	1 MHz	1 MHz	
Spectral Characteristics			
Spurious-Free Dynamic Range (SFDR) ¹ without Harmonics	Path		Amplitude –1 decibel full scale (dBFS). Measured from DC to 50 MHz. SFDR without harmonics at low amplitudes is limited by a –148 dBm/Hz noise floor. All values are typical.
	Low-Gain Amplifier	High-Gain Amplifier	
1 MHz	70 dB	70 dB	
10 MHz	65 dB	65 dB	
20 MHz	60 dB	60 dB	
Total Harmonic Distortion (THD), 0 °C to 40 °C	Path		
	Low-Gain Amplifier	High-Gain Amplifier	
1 MHz	–59 dBc	–51 dBc	
10 MHz	–52 dBc	–40 dBc	
20 MHz	–45 dBc	–37 dBc	
¹ Dynamic range is defined as the difference between the carrier level and the largest spur.			

Specification	Value					Comments	
Spectral Characteristics (Continued)							
Average Noise Density	Path	Amplitude Range		Average Noise Density			Average noise density at small amplitudes is limited by a -148 dBm/Hz noise floor. Typical.
		V_{pk-pk}	dBm	$\frac{nV}{\sqrt{Hz}}$	dBm/Hz	dBFS/Hz	
	Low-Gain	2	10	45	-134	-144	
High-Gain	12	25.6	251	-119	-145		

Sample Clock

Specification	Value	Comments
Sample Clock Sources	<ol style="list-style-type: none"> 1. Internal, Divide-by-N ($N \geq 1$) 2. Internal, DDS-based, High-Resolution 3. External, CLK IN (SMB front panel connector) 4. NI PXI-5412: External, PXI star trigger (PXI backplane connector) 5. NI PXI-5412: External, PXI_Trig<0..7> (PXI backplane connector) NI PCI-5412: External, RTSI<0..7> 	Refer to the Onboard Clock section for more information about internal clock sources.

Specification	Value		Comments	
Sample Rate Range and Resolution				
Sample Clock Source	Sample Rate Range	Sample Rate Resolution	—	
Divide-by- N	23.84 S/s to 100 MS/s	Settable to $(100 \text{ MS/s})/N$ ($1 \leq N \leq 4,194,304$)		
High-Resolution	10 S/s to 100 MS/s	1.06 μHz		
CLK IN	200 kS/s to 105 MS/s	Resolution determined by external clock source. External Sample clock duty cycle tolerance 40% to 60%.		
NI PXI-5412 PXI Star Trigger	10 S/s to 105 MS/s			
NI PXI-5412 PXI_Trig<0..7>	10 S/s to 20 MS/s			
NI PCI-5412 RTSI<0..7>	10 S/s to 20 MS/s			
Effective Sample Rate				
	Sample Rate (MS/s)	Interpolation Factor	Effective Sample Rate	Effective Sample Rate = (<i>Interpolation Factor</i>) \times (<i>Sample Rate</i>)
	10 S/s to 105 MS/s	1 (Off)	10 S/s to 105 MS/s	
	12.5 MS/s to 105 MS/s	2	25 MS/s to 210 MS/s	
	10 MS/s to 100 MS/s	4	40 MS/s to 400 MS/s	
	10 MS/s to 50 MS/s	8	80 MS/s to 400 MS/s	
Sample Clock Delay Range and Resolution				
Sample Clock Source	Delay Adjustment Range	Delay Adjustment Resolution	—	
Divide-by- N	± 1 Sample clock period	<10 ps		
High-Resolution	± 1 Sample clock period	Sample clock period/16,384		

Specification	Value			Comments	
System Phase Noise and Jitter (10 MHz Carrier)					
Device (Sample Clock Source)	System Phase Noise Density (dBc/Hz) Offset			System Output Jitter (Integrated from 100 Hz to 100 kHz)	Specified at 2× DAC oversampling.
	100 Hz	1 kHz	10 kHz		
NI PXI-5412	-100	-118	-120	<6 ps rms	
NI PCI-5412	-90	-110	-120	<7 ps rms	
High-resolution specifications vary with sample rate. All values are typical.					
External Sample Clock Input Jitter Tolerance	Cycle-cycle jitter ±300 ps Period jitter ±1 ns			—	
Exported Sample Clock Destination Characteristics					
Exported Sample Clock Destinations	1. PFI<0..1> (SMB front panel connectors) 2. NI PXI-5412 : PXI_Trig<0..6> (PXI backplane connector) NI PCI-5412 : RTSI<0..6>			Exported Sample clocks can be divided by integer K ($1 \leq K \leq 4,194,304$).	
		Maximum Frequency	Duty Cycle		
PFI<0..1>	105 MHz	25% to 65%			
NI PXI-5412 PXI_Trig<0..6>	20 MHz	—			
NI PCI-5412 RTSI<0..6>	20 MHz	—			

Onboard Clock (Internal VCXO)

Specification	Value	Comments
Clock Source	Internal sample clocks can either be locked to a Reference clock using a phase-locked loop or be derived from the onboard VCXO frequency reference.	—
Frequency Accuracy	±25 ppm	—

Phase-Locked Loop (PLL) Reference Clock

Specification	Value	Comments
Sources	<ol style="list-style-type: none"> NI PXI-5412—PXI_CLK10 (PXI backplane connector) NI PCI-5412—RTSI_7 (RTSI_CLK) CLK IN (SMB front panel connector) 	The PLL Reference clock provides the reference frequency for the PLL.
Frequency Accuracy	When using the PLL, the frequency accuracy of the NI 5412 is solely dependent on the frequency accuracy of the PLL Reference clock source.	—
Lock Time	≤200 ms	—
Frequency Range	<p>5 MHz to 20 MHz in increments of 1 MHz. Default of 10 MHz.</p> <p>The PLL reference clock frequency must be accurate to ±50 ppm.</p>	—
Duty Cycle Range	40% to 60%	—
Exported PLL Reference Clock Destinations	<ol style="list-style-type: none"> PFI<0..1> (SMB front panel connectors) NI PXI-5412—PXI_Trig<0..6> (backplane connector) NI PCI-5412—RTSI<0..6> 	—

Physical

Specification	Value		Comments
	NI PXI-5412	NI PCI-5412	
Dimensions	3U, One Slot, PXI/cPCI Module 21.6 cm × 2.0 cm × 13.0 cm (8.5 in. × 0.8 in. × 5.1 in.)	34.1 × 2.0 × 10.7 cm (13.4 × 0.8 × 4.2 in.)	—
Weight	340 g (11 oz)	480 g (17 oz)	—
Front Panel Connectors			
Label	Function(s)	Connector Type	—
CH 0	Analog output	SMB (jack)	
CLK IN	Sample clock input and PLL reference clock input.	SMB (jack)	
PFI 0	Marker output, trigger input, sample clock output, exported trigger output, and PLL reference clock output.	SMB (jack)	
PFI 1	Marker output, trigger input, sample clock output, exported trigger output, and PLL reference clock output.	SMB (jack)	
NI PXI-5412 Only—Front Panel LED Indicators			
Label	Function	For more information, refer to the <i>NI Signal Generators Help</i> .	
ACCESS	The ACCESS LED indicates the status of the PCI bus and the interface from the NI 5412 to the controller.		
ACTIVE	The ACTIVE LED indicates the status of the onboard generation hardware of the NI 5412.		
Included Cable			
1 (NI part number 763541-01), 50 Ω, BNC Male to SMB Plug, RG223/U, Double Shielded, 1 m cable.			—



Note NI PXI-5412 modules of revision B or later are equipped with a modified PXI Express-compatible backplane connector. This modified connector allows the NI PXI-5412 to be installed in hybrid slots in a PXI Express chassis. To determine the revision of an NI PXI-5412 module, read the label on the underside of the NI PXI-5412. The label lists an assembly number of the format 192274x-01, where *x* is the revision.

Front Panel

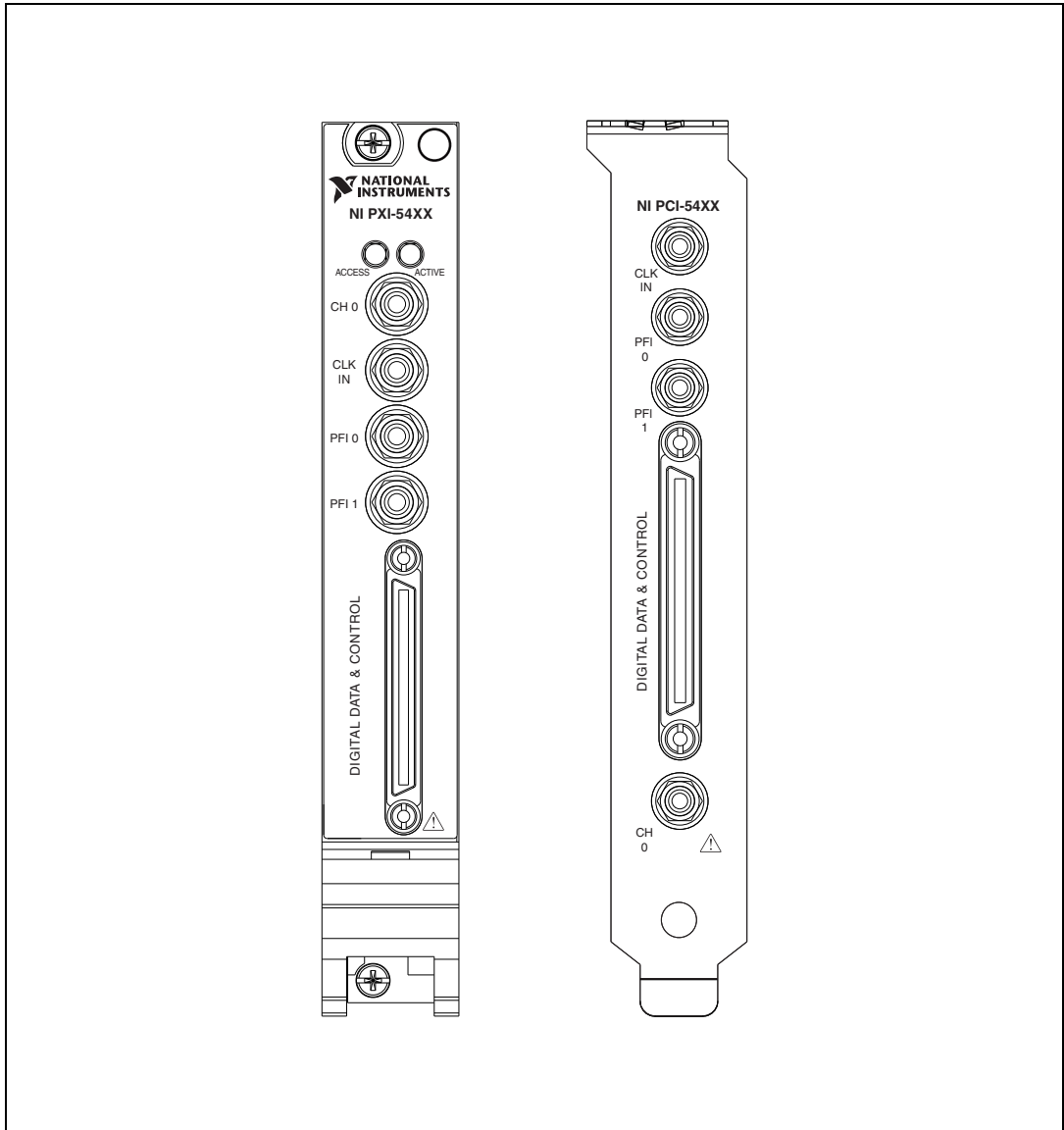


Figure 2. NI PXI-5412 and NI PCI-5412 Front Panel

CLK IN

(Sample Clock and Reference Clock Input, Front Panel Connector)

Specification	Value	Comments
Connector	SMB (jack)	—
Direction	Input	—
Destinations	1. Sample clock 2. PLL reference clock	—
Frequency Range	1 MHz to 105 MHz (Sample clock destination and sine waves) 200 kHz to 105 MHz (Sample clock destination and square waves) 5 MHz to 20 MHz (PLL Reference clock destination)	—
Input Voltage Range	Sine wave: $0.65 V_{pk-pk}$ to $2.8 V_{pk-pk}$ into 50Ω (0 dBm to +13 dBm) Square wave: $0.2 V_{pk-pk}$ to $2.8 V_{pk-pk}$ into 50Ω	—
Maximum Input Overload	$\pm 10 V$	—
Input Impedance	50Ω	—
Input Coupling	AC	—

PFI 0 and PFI 1

(Programmable Function Interface, Front Panel Connectors)

Specification	Value	Comments
Connectors	Two SMB (jack)	—
Direction	Bidirectional	—
Frequency Range	DC to 105 MHz	—
As an Input (Trigger)		
Destinations	Start trigger	—
Maximum Input Overload	-2 V to +7 V	—
V_{IH}	2.0 V	
V_{IL}	0.8 V	
Input Impedance	1 k Ω	
As an Output (Event)		
Sources	<ol style="list-style-type: none"> 1. Sample clock divided by integer K ($1 \leq K \leq 4,194,304$) 2. Sample clock timebase (100 MHz) divided by integer M ($2 \leq M \leq 4,194,304$) 3. PLL Reference clock 4. Marker 5. Exported Start trigger (Out Start Trigger) 	—
Output Impedance	50 Ω	—
Maximum Output Overload	-2 V to +7 V	—
V_{OH}	Minimum: 2.9 V (open load), 1.4 V (50 Ω load)	Output drivers are +3.3 V TTL compatible.
V_{OL}	Maximum: 0.2 V (open load), 0.2 V (50 Ω load)	
Rise/Fall Time (20% to 80%)	≤ 2.0 ns	Load of 10 pF.

TClk Specifications

National Instruments TClk synchronization method and the NI-TClk instrument driver are used to align the Sample clocks on any number of SMC-based modules in a chassis. For more information about TClk synchronization, refer to the *NI-TClk Synchronization Help*, which is located within the *NI Signal Generators Help*.

- Specifications are valid for any number of PXI modules installed in one NI PXI-1042 chassis.
- All parameters set to identical values for each SMC-based module.
- Sample Clock set to 100 MS/s, Divide-by-*N*, and all filters are disabled.
- For other configurations, including multichassis systems, contact NI Technical Support at ni.com/support.



Note Although you can use NI-TClk to synchronize nonidentical modules, these specifications apply only to synchronizing identical modules.

Specification	Value	Comments
Intermodule SMC Synchronization Using NI-TClk for Identical Modules (Typical)		
Skew	500 ps	Caused by clock and analog path delay differences. No manual adjustment performed.
Average Skew After Manual Adjustment	<10 ps	For information about manual adjustment, refer to the <i>Synchronization Repeatability Optimization</i> topic in the <i>NI-TClk Synchronization Help</i> . For additional help with the adjustment process, contact NI Technical Support at ni.com/support .
Sample Clock Delay/Adjustment Resolution	≤10 ps	—

Start Trigger

Specification	Value		Comments
Sources	<ol style="list-style-type: none"> 1. PFI<0..1> (SMB front panel connectors) 2. NI PXI-5412—PXI_Trig<0..7> (PXI backplane connector) NI PCI-5412—RTSI<0..7> 3. NI PXI-5412—PXI Star trigger (PXI backplane connector) 4. Software (use VI or function call) 5. Immediate (does not wait for a trigger). Default. 		—
Modes	<ol style="list-style-type: none"> 1. Single 2. Continuous 3. Stepped 4. Burst 		—
Edge Detection	Rising		—
Minimum Pulse Width	25 ns		Refer to t_{s1} at NI Signal Generators Help»Devices»NI 5412»Triggering»Trigger Timing.
Delay from Start Trigger to CH 0 Analog Output	Interpolation Factor	Typical Delay	Refer to t_{s2} at NI Signal Generators Help»Devices»NI 5412»Triggering»Trigger Timing.
	Digital Interpolation Filter disabled.	43 Sample clock periods + 110 ns	
	2	57 Sample clock periods + 110 ns	
	4	63 Sample clock periods + 110 ns	
	8	64 Sample clock periods + 110 ns	

Specification	Value	Comments
Trigger Exporting		
Exported Trigger Destinations	A signal used as a trigger can be routed out to any destination listed in the <i>Destinations</i> specification of the <i>Markers</i> section.	—
Exported Trigger Delay	65 ns (typical).	Refer to t_{s3} at NI Signal Generators Help»Devices»NI 5412»Triggering»Trigger Timing.
Exported Trigger Pulse Width	>150 ns	Refer to t_{s4} at NI Signal Generators Help»Devices»NI 5412»Triggering»Trigger Timing.

Markers

Specification	Value		Comments
Destinations	1. PFI<0..1> (SMB front panel connectors) 2. NI PXI-5412 —PXI_Trig<0..6> (PXI backplane connector) NI PCI-5412 —RTSI<0..6>		—
Quantity	One marker per segment.		—
Quantum	Marker position must be placed at an integer multiple of four samples.		—
Width	>150 ns		Refer to t_{m2} at NI Signal Generators Help» Fundamentals» Waveform Fundamentals» Events»Marker Events.
Skew	Destination	With Respect to Analog Output	Refer to t_{m1} at NI Signal Generators Help» Fundamentals» Waveform Fundamentals» Events»Marker Events.
	PFI<0..1>	±2 Sample clock periods	
	NI PXI-5412 PXI_Trig<0..6> NI PCI-5412 RTSI<0..6>	±2 Sample clock periods	

Arbitrary Waveform Generation Mode

Specification	Value			Comments
Memory Usage	The NI 5412 uses the Synchronization and Memory Core (SMC) technology in which waveforms and instructions share onboard memory. Parameters, such as number of segments in sequence list, maximum number of waveforms in memory, and number of samples available for waveform storage, are flexible and user defined.			—
Onboard Memory Size	8 MB standard: 8,388,608 bytes	32 MB option: 33,554,432 bytes	256 MB option: 268,435,456 bytes	—
Output Modes	Arbitrary waveform mode and arbitrary sequence mode			—
Arbitrary Waveform Mode	In arbitrary waveform mode, a single waveform is selected from the set of waveforms stored in onboard memory and generated.			—
Arbitrary Sequence Mode	In arbitrary sequence mode, a sequence directs the NI 5412 to generate a set of waveforms in a specific order. Elements of the sequence are referred to as segments. Each segment is associated with a set of instructions. The instructions identify which waveform is selected from the set of waveforms in memory, how many loops (iterations) of the waveform are generated, and at which sample in the waveform a marker output signal is sent.			—
Minimum Waveform Size (Samples)	Trigger Mode	Arbitrary Waveform Mode	Arbitrary Sequence Mode	The <i>Minimum Waveform Size</i> is sample rate dependent in arbitrary sequence mode.
	Single	16	16	
	Continuous	16	96 at >50 MS/s	
			32 at ≤ 50 MS/s	
	Stepped	32	96 at >50 MS/s	
			32 at ≤ 50 MS/s	
Burst	16	512 at >50 MS/s		
		256 at ≤ 50 MS/s		
Loop Count	1 to 16,777,215 Burst trigger: Unlimited			—
Quantum	Waveform size must be an integer multiple of four samples.			—

Specification	Value			Comments
Memory Limits				
	8 MB Standard	32 MB Option	256 MB Option	All trigger modes except where noted.
Arbitrary Waveform Mode, Maximum Waveform Memory	4,194,176 samples	16,777,088 samples	134,217,600 samples	
Arbitrary Sequence Mode, Maximum Waveform Memory	4,194,120 samples	16,777,008 samples	134,217,520 samples	Condition: One or two segments in a sequence.
Arbitrary Sequence Mode, Maximum Waveforms	65,000 Burst trigger: 8,000	262,000 Burst trigger: 32,000	2,097,000 Burst trigger: 262,000	Condition: One or two segments in a sequence.
Arbitrary Sequence Mode, Maximum Segments in a Sequence	104,000 Burst trigger: 65,000	418,000 Burst trigger: 262,000	3,354,000 Burst trigger: 2,090,000	Condition: Waveform memory is <4,000 samples.

Calibration

Specification	Value	Comments
Self-Calibration	An onboard, 24-bit ADC and precision voltage reference are used to calibrate the DC gain and offset. The self-calibration is initiated by the user through the software and takes approximately 75 seconds to complete.	—
External Calibration	External calibration calibrates the VCXO, voltage reference, DC gain, and offset. Appropriate constants are stored in nonvolatile memory.	Also known as factory calibration.
Calibration Interval	Specifications valid within two years of external calibration.	—
Warm-up Time	15 minutes	—

Power

Specification	Normal Operation	Overload Operation	Comments
Total Power	22 W	26 W	Typical. Overload operation occurs when CH 0 is shorted to ground.

Software

Specification	Value	Comments
Driver Software	NI-FGEN is an IVI-compliant driver that allows you to configure, control, and calibrate the NI 5412. NI-FGEN provides application programming interfaces for many development environments.	—
Application Software	NI-FGEN provides programming interfaces for the following application development environments: <ul style="list-style-type: none"> • LabVIEW • LabWindows™/CVI™ • Measurement Studio • Microsoft Visual C++ .NET • Microsoft Visual C/C++ • Microsoft Visual Basic 	—
Interactive Control and Configuration Software	The FGEN Soft Front Panel supports interactive control of the NI 5412. The FGEN Soft Front Panel is included on the NI-FGEN driver DVD. Measurement & Automation Explorer (MAX) provides interactive configuration and test tools for the NI 5412. MAX is also included on the NI-FGEN DVD. You can use the NI 5412 with NI SignalExpress.	—

Environment

NI PXI-5412 Environment



Note To ensure that the NI PXI-5412 cools effectively, follow the guidelines in the *Maintain Forced-Air Cooling Note to Users* included in the NI 5412 kit. The NI PXI-5412 is intended for indoor use only.

Specifications	Value	Comments
Operating Temperature	0 °C to + 55 °C in all NI PXI chassis except the following: 0 °C to + 45 °C when installed in an NI PXI-101x or NI PXI-1000B chassis. Meets IEC 60068-2-1 and IEC 60068-2-2.	—
Storage Temperature	–25 °C to + 85 °C. Meets IEC 60068-2-1 and IEC 60068-2-2.	—
Operating Relative Humidity	10% to 90%, noncondensing. Meets IEC 60068-2-56.	—
Storage Relative Humidity	5% to 95%, noncondensing. Meets IEC 60068-2-56.	—
Operating Shock	30 g, half-sine, 11 ms pulse. Meets IEC 60068-2-27. Test profile developed in accordance with MIL-PRF-28800F.	Spectral and jitter specifications could degrade.
Storage Shock	50 g, half-sine, 11 ms pulse. Meets IEC 60068-2-27. Test profile developed in accordance with MIL-PRF-28800F.	—
Operating Vibration	5 Hz to 500 Hz, 0.31 g _{rms} . Meets IEC 60068-2-64.	Spectral and jitter specifications could degrade.
Storage Vibration	5 Hz to 500 Hz, 2.46 g _{rms} . Meets IEC 60068-2-64. Test profile exceeds requirements of MIL-PRF-28800F, Class B.	—
Altitude	2,000 m maximum (at 25 °C ambient temperature)	—
Pollution Degree	2	—

NI PCI-5412 Environment



Note To ensure that the NI PCI-5412 cools effectively, follow the guidelines in the *Maintain Forced-Air Cooling Note to Users* included in the NI 5412 kit. Also, to maximize airflow and extend the life of the device, leave any adjacent PCI slots empty. The NI PCI-5412 is intended for indoor use only.

Specifications	Value	Comments
Operating Temperature	0 °C to + 45 °C. Meets IEC 60068-2-1 and IEC 60068-2-2.	—
Storage Temperature	-25 °C to +85 °C. Meets IEC 60068-2-1 and IEC 60068-2-2.	—
Operating Relative Humidity	10% to 90%, noncondensing. Meets IEC 60068-2-56.	—
Storage Relative Humidity	5% to 95%, noncondensing. Meets IEC 60068-2-56.	—
Storage Shock	50 g, half-sine, 11 ms pulse. Meets IEC 60068-2-27. Test profile developed in accordance with MIL-PRF-28800F.	—
Storage Vibration	5 Hz to 500 Hz, 2.46 g _{rms} . Meets IEC 60068-2-64. Test profile exceeds requirements of MIL-PRF-28800F, Class B.	—
Altitude	2,000 m maximum (at 25 °C ambient temperature)	—
Pollution Degree	2	—

Compliance and Certifications

Safety

This product meets the requirements of the following standards of safety for electrical equipment for measurement, control, and laboratory use:

- IEC 61010-1, EN 61010-1
- UL 61010-1, CSA 61010-1



Note For UL and other safety certifications, refer to the product label or the *Online Product Certification* section.

Electromagnetic Compatibility (EMC)

This product meets the requirements of the following EMC standards for electrical equipment for measurement, control, and laboratory use:

- EN 61326-1 (IEC 61326-1): Class A emissions, Basic immunity
- EN 55011 (CISPR 11): Group 1, Class A emissions
- AS/NZS CISPR 11: Group 1, Class A emissions
- FCC 47 CFR Part 15B: Class A emissions
- ICES-001: Class A emissions



Note For the standards applied to assess the EMC of this product, refer to the *Online Product Certification* section.



Note For EMC compliance, operate this product according to the documentation.

CE Compliance

This product meets the essential requirements of applicable European Directives as follows:

- 2006/95/EC; Low-Voltage Directive (safety)
- 2004/108/EC; Electromagnetic Compatibility Directive (EMC)

Online Product Certification

To obtain product certifications and the DoC for this product, visit ni.com/certification, search by model number or product line, and click the appropriate link in the Certification column.

Environmental Management

NI is committed to designing and manufacturing products in an environmentally responsible manner. NI recognizes that eliminating certain hazardous substances from our products is beneficial to the environment and NI customers.

For additional environmental information, refer to the *NI and the Environment* Web page at ni.com/environment. This page contains the environmental regulations and directives with which NI complies, as well as other environmental information not included in this document.

Waste Electrical and Electronic Equipment (WEEE)



EU Customers At the end of the product life cycle, all products *must* be sent to a WEEE recycling center. For more information about WEEE recycling centers, National Instruments WEEE initiatives, and compliance with WEEE Directive 2002/96/EC on Waste Electrical and Electronic Equipment, visit ni.com/environment/weee.

电子信息产品污染控制管理办法（中国 RoHS）



中国客户 National Instruments 符合中国电子信息产品中限制使用某些有害物质指令 (RoHS)。关于 National Instruments 中国 RoHS 合规性信息，请登录 ni.com/environment/rohs_china。(For information about China RoHS compliance, go to ni.com/environment/rohs_china.)

Where to Go for Support

The National Instruments Web site is your complete resource for technical support. At ni.com/support you have access to everything from troubleshooting and application development self-help resources to email and phone assistance from NI Application Engineers.

A Declaration of Conformity (DoC) is our claim of compliance with the Council of the European Communities using the manufacturer's declaration of conformity. This system affords the user protection for electromagnetic compatibility (EMC) and product safety. You can obtain the DoC for your product by visiting ni.com/certification. If your product supports calibration, you can obtain the calibration certificate for your product at ni.com/calibration.

National Instruments corporate headquarters is located at 11500 North Mopac Expressway, Austin, Texas, 78759-3504. National Instruments also has offices located around the world to help address your support needs. For telephone support in the United States, create your service request at ni.com/support and follow the calling instructions or dial 512 795 8248. For telephone support outside the United States, contact your local branch office:

Australia 1800 300 800, Austria 43 662 457990-0,
Belgium 32 (0) 2 757 0020, Brazil 55 11 3262 3599,
Canada 800 433 3488, China 86 21 5050 9800,
Czech Republic 420 224 235 774, Denmark 45 45 76 26 00,
Finland 358 (0) 9 725 72511, France 01 57 66 24 24,
Germany 49 89 7413130, India 91 80 41190000, Israel 972 3 6393737,
Italy 39 02 41309277, Japan 0120-527196, Korea 82 02 3451 3400,
Lebanon 961 (0) 1 33 28 28, Malaysia 1800 887710,
Mexico 01 800 010 0793, Netherlands 31 (0) 348 433 466,
New Zealand 0800 553 322, Norway 47 (0) 66 90 76 60,
Poland 48 22 328 90 10, Portugal 351 210 311 210,
Russia 7 495 783 6851, Singapore 1800 226 5886,
Slovenia 386 3 425 42 00, South Africa 27 0 11 805 8197,
Spain 34 91 640 0085, Sweden 46 (0) 8 587 895 00,
Switzerland 41 56 2005151, Taiwan 886 02 2377 2222,
Thailand 662 278 6777, Turkey 90 212 279 3031,
United Kingdom 44 (0) 1635 523545

CVI, LabVIEW, National Instruments, NI, ni.com, the National Instruments corporate logo, and the Eagle logo are trademarks of National Instruments Corporation. Refer to the *Trademark Information* at ni.com/trademarks for other National Instruments trademarks. The mark LabWindows is used under a license from Microsoft Corporation. Windows is a registered trademark of Microsoft Corporation in the United States and other countries. Other product and company names mentioned herein are trademarks or trade names of their respective companies. For patents covering National Instruments products/technology, refer to the appropriate location: **Help»Patents** in your software, the `patents.txt` file on your media, or the *National Instruments Patent Notice* at ni.com/patents.

NI PXI/PCI-5412 仕様

14 ビット 100 MS/s 任意波形発生器

このドキュメントには、NI PXI/PCI-5412 任意波形発生器の仕様が記載されています。特に注記のない限り、各仕様において以下の条件が適用されます。

- 補間値は使用中のサンプルレートの最大許容値に設定。
- 50 Ω で信号を終端。
- 2 V_{pk-pk} に低ゲインアンプバスを設定、そして 12 V_{pk-pk} に高ゲインアンプバスを設定。
- サンプルクロックは 100 MS/s に設定。

仕様は、特に指定がない限り、0 ~ 55 °C の周囲温度範囲内で使用した場合の、保証済みでトレーサブルな製品性能を記載しています。

標準値は、保証範囲外での使用における有用な製品性能を表しますが、これには測定の不確定性やドリフトに対するガードバンドは含まれていません。標準値は工場から出荷されたすべてのユニットで確認されるとは限りません。特に指定がない限り、標準値は、この製品の開発時または製造時の測定値に基づいて、23 \pm 5 °C (信頼水準 90%) の周囲温度範囲内で使用した場合の、ユニットの予想性能を記載しています。

公称値 (または補足情報) は、仕様または標準値に記載されていない予想性能を含む、製品の有用な追加情報を記載しています。公称値は保証範囲外です。

仕様は事前の通知なしに変更されることがあります。最新の NI 5412 の仕様については、ni.com/manuals をご覧ください。

NI 5412 のドキュメントにアクセスするには、**スタート→すべてのプログラム→National Instruments→NI-FGEN→ドキュメント** を選択します。



熱面

NI 5412 が使用されている場合、安全な取扱温度を超え、火傷が起こる場合があります。シャーシから取り外す前に、NI 5412 を十分に冷却してください。

目次

CH 0.....	2
サンプルクロック.....	8
オンボードクロック.....	10
位相ロックループ (PLL) 基準クロック.....	10
物理特性.....	11
フロントパネル.....	12
CLK IN.....	13
PFI 0 および PFI 1.....	14
TCIk 仕様.....	15
開始トリガ.....	16
マーカ.....	18
任意波形生成モード.....	19
キャリブレーション.....	21
電力.....	21
ソフトウェア.....	22
環境.....	23
NI PXI-5412 の環境.....	23
NI PCI-5412 の環境.....	24
認可および準拠.....	25
安全性.....	25
電磁両立性 (EMC).....	25
CE マーク準拠.....	25
オンライン製品認証.....	25
環境管理.....	26
サポート情報.....	27

CH 0

(チャンネル 0 アナログ出力、フロントパネルコネクタ)

仕様	値	コメント
チャンネル数	1	—
コネクタ	SMB (ジャック)	—

仕様	値			コメント	
出力電圧特性					
出力パス	ソフトウェアで選択可能なメイン出力パス設定は、 $12.00 V_{pk-pk} \sim 5.64 mV_{pk-pk}$ (50 Ω 負荷) のフルスケール電圧を提供します。NI-FGEN は、メイン出力パスが選択されると、ゲインプロパティまたは「NIFGEN_ATTR_GAIN」属性の値によって低ゲインアンプまたは高ゲインアンプを使用します。			—	
DAC 分解能	14 ビット			—	
振幅とオフセット					
振幅範囲	パス	負荷	振幅 (V_{pk-pk})		振幅値は、DAC のフルスケールが利用されていると仮定。DAC のフルスケール値未満の値を使用して、最小値よりも小さい振幅を作成します。NI-FGEN は、ユーザ指定の負荷抵抗を補正。
			最小値	最大値	
	低ゲインアンプ	50 Ω	0.00564	2.00	
		1 kΩ	0.0107	3.81	
		オープン	0.0113	4.00	
	高ゲインアンプ	50 Ω	0.0338	12.0	
		1 kΩ	0.0644	22.9	
		オープン	0.0676	24.0	
	振幅分解能	振幅範囲の 0.06% (0.004 dB) 未満			
オフセット範囲	振幅範囲の ±25% のスパン。増分は振幅範囲の 0.0014% 未満。			—	
最大出力電圧					
最大出力電圧	パス	負荷	最大出力電圧 (V_{pk})		NI 5412 の最大出力電圧は、振幅範囲およびオフセット範囲により決定。
	低ゲインアンプ	50 Ω	±1.000		
		1 kΩ	±1.905		
		オープン	±2.000		
	高ゲインアンプ	50 Ω	±6.000		
		1 kΩ	±11.43		
		オープン	±12.00		

仕様	値	コメント
確度		
DC 確度	$\pm ((\text{振幅範囲の } 0.2\%) + (\text{オフセットの } 0.05\%) + 500 \mu\text{V})$ (セルフキャリブレーション温度の $\pm 10 \text{ }^\circ\text{C}$ 以内) $\pm ((\text{振幅範囲の } 0.4\%) + (\text{オフセットの } 0.05\%) + 1 \text{ mV})$ ($0 \sim 55 \text{ }^\circ\text{C}$) メモ: DC 確度については、「振幅範囲」はゲイン設定の 2 倍と定義されます。たとえば、ゲインが 8 の DC 信号の場合は、振幅範囲は 16 V となります。この信号のオフセットが 1.5 V である場合、DC 確度は以下の式で求めることができます。 $\pm 0.2\% \times (16 \text{ V}) \pm 0.05\% \times (1.5 \text{ V}) \pm 500 \mu\text{V} = \pm 33.25 \text{ mV}$	高インピーダンス負荷に校正。
AC 振幅確度	(+2.0% + 1 mV)、(-1.0% - 1 mV) (+0.8% + 0.5 mV)、(-0.2% - 0.5 mV)、標準	50 kHz 正弦波。
出力特性		
出力インピーダンス	50 Ω または 75 Ω 公称 (ソフトウェアで選択可能)。	—
出力カプリング	DC	—
出力有効化	ソフトウェアで選択可能。出力パスが無効な場合、CH 0 出力は選択された出力インピーダンスに等しい 1 W 抵抗で終端されます。	—
最大出力過負荷	CH 0 出力は、破損せずに 50 Ω 、 $\pm 12 \text{ V}$ ソースに接続可能です。CH 0 出力が無限に短絡接地されている場合は破損しません。	—
波形加算	CH 0 出力は、類似するパス間での波形加算をサポートしています。特に複数の NI 5412 信号発生器の出力端子を直接接続できます。	—

仕様	値	コメント
周波数および過渡応答		
帯域幅	20 MHz	-3 dB
デジタル補間フィルタ	ソフトウェアで選択可能な有限インパルス応答 (FIR) フィルタ。使用可能な補間係数は、2、4、または 8。	<p>10 MS/s 未満のサンプルクロックレートでは、デジタルフィルタは使用できません。</p> <p>補間によるサンプルレートへの影響に関する詳細については、「サンプルクロック」 セクションの 「実効サンプルレート」 を参照してください。</p>

仕様	値		コメント
パスバンドフラットネス	低ゲインおよび高ゲインのアンプパス		50 kHz を基準とする。
	±1.0 dB (DC ~ 6 MHz)		
パルス応答	パス		すべての値は標準。RG-223 ケーブル (1 m) で測定。
	低ゲインアンプ	高ゲインアンプ	
立ち上がり / 立ち下がり時間	<20 ns	<20 ns	
アベレーション	<5%	<5%	

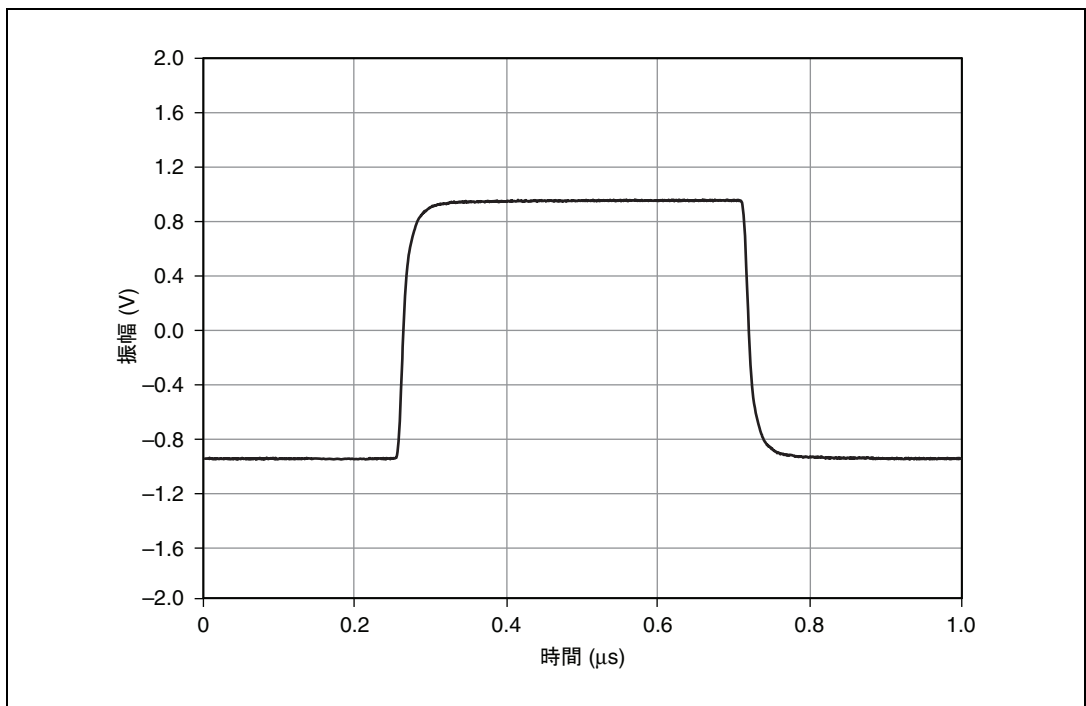


図 1 パルス応答、低ゲインアンプパス (50 Ω 負荷)

仕様	値				コメント		
一般的な関数における推奨する最大周波数							
関数	パス				最小周波数は <1 mHz。この値はメモリサイズおよびデバイス構成に依存します。		
	低ゲインアンプ		高ゲインアンプ				
正弦波	20 MHz		20 MHz				
方形波	5 MHz		5 MHz				
ランプ波	1 MHz		1 MHz				
三角波	1 MHz		1 MHz				
スペクトル特性							
高調波なしスプリアスフ リーダイナ ミックレンジ (SFDR) ¹	パス				振幅 -1 デシベルフルスケール (dBFS)。DC ~ 50 MHz まで測定。低振幅の高調波なし SFDR は、-148 dBm/Hz ノイズフロアによって制限される。すべての値は標準。		
	低ゲインアンプ		高ゲインアンプ				
	1 MHz	70 dB		70 dB			
	10 MHz	65 dB		65 dB			
20 MHz	60 dB		60 dB				
0 ~ 40 °C 全高調波歪み (THD)	パス				振幅 -1 dBFS。第 2 高調波から第 6 高調波を含む。すべての値は標準。		
	低ゲインアンプ		高ゲインアンプ				
	1 MHz	-59 dBc		-51 dBc			
	10 MHz	-52 dBc		-40 dBc			
20 MHz	-45 dBc		-37 dBc				
¹ ダイナミックレンジは搬送波レベルと最大スプリアスの差として定義されます。							
平均ノイズ密度	パス	振幅範囲		平均ノイズ密度			低振幅の平均ノイズ密度は、-148 dBm/Hz ノイズフロアによって制限される。標準。
		V_{pk-pk}	dBm	$\frac{nV}{\sqrt{Hz}}$	dBm/Hz	dBFS/Hz	
		低ゲイン	2	10	45	-134	
高ゲイン	12	25.6	251	-119	-145		

サンプルクロック

仕様	値		コメント	
サンプルクロックソース	1. 内部、 N で除算 ($N \geq 1$) 2. 内部、DDS ベース、高分解能 3. 外部、CLK IN (SMB フロントパネルコネクタ) 4. NI PXI-5412 : 外部、PXI スタートトリガ (PXI バックプレーンコネクタ) 5. NI PXI-5412 : 外部、PXI_Trig<0..7> (PXI バックプレーンコネクタ) NI PCI-5412 : 外部、RTSI<0..7>		内部クロックソースの詳細については、「 オンボードクロック 」のセクションを参照してください。	
サンプルレートの範囲と分解能				
サンプルクロックソース	サンプルレート範囲	サンプルレート分解能	—	
N で除算	23.84 S/s ~ 100 MS/s	(100 MS/s) / N ($1 \leq N \leq 4,194,304$) に設定可能		
高分解能	10 S/s ~ 100 MS/s	1.06 μ Hz		
CLK IN	200 kS/s ~ 105 MS/s	外部クロックソースにより決定される分解能。 外部サンプルクロックのデューティサイクルの許容値 40 ~ 60%。		
NI PXI-5412 PXI スタートトリガ	10 S/s ~ 105 MS/s			
NI PXI-5412 PXI_Trig<0..7>	10 S/s ~ 20 MS/s			
NI PCI-5412 RTSI<0..7>	10 S/s ~ 20 MS/s			
実効サンプルレート				
	サンプルレート (MS/s)	補間係数	実効サンプルレート	実効サンプルレート = (補間係数) \times (サンプルレート)
	10 S/s ~ 105 MS/s	1 (OFF)	10 S/s ~ 105 MS/s	
	12.5 MS/s ~ 105 MS/s	2	25 MS/s ~ 210 MS/s	
	10 MS/s ~ 100 MS/s	4	40 MS/s ~ 400 MS/s	
	10 MS/s ~ 50 MS/s	8	80 MS/s ~ 400 MS/s	

仕様	値			コメント
サンプルクロック遅延範囲と分解能				
サンプルクロックソース	遅延調整範囲		遅延調整分解能	—
Nで除算	±1 サンプルクロック周期		<10 ps	
高分解能	±1 サンプルクロック周期		サンプルクロック周期 / 16,384	
システム位相ノイズおよびジッタ (10 MHz 搬送波)				
デバイス (サンプルクロックソース)	システム位相ノイズ密度 (dBc/Hz) オフセット			システム出力ジッタ (100 Hz ~ 100 kHz を統合) 2x DAC オーバーサンプリングに指定。
	100 Hz	1 kHz	10 kHz	
NI PXI-5412	-100	-118	-120	
NI PCI-5412	-90	-110	-120	<7 ps rms
サンプルレートによって異なる高分解能仕様。すべての値は標準。				
外部サンプルクロック入力のジッタ許容値	サイクル間ジッタ ±300 ps 周期ジッタ ±1 ns			—
エクスポートしたサンプルクロックの出力先の特性				
エクスポートしたサンプルクロックの出力先	1. PFI<0..1> (SMB フロントパネルコネクタ) 2. NI PXI-5412 : PXI_Trig<0..6> (PXI バックプレーンコネクタ) NI PCI-5412 : RTSI<0..6>			エクスポートしたサンプルクロックは、整数 K (1 ≤ K ≤ 4,194,304) で除算可能。
		最大周波数	デューティサイクル	
PFI <0..1>	105 MHz	25% ~ 65%		
NI PXI-5412 PXI_Trig<0..6>	20 MHz	—		
NI PCI-5412 RTSI<0..6>	20 MHz	—		

オンボードクロック (内部 VCXO)

仕様	値	コメント
クロックソース	内部サンプルクロックは、位相ロックループを使用して基準クロックにロック、もしくはオンボード VCXO 周波数基準から取得されます。	—
周波数確度	±25 ppm	—

位相ロックループ (PLL) 基準クロック

仕様	値	コメント
ソース	1. NI PXI-5412 — PXI_CLK10 (PXI バックプレーンコネクタ) NI PCI-5412 — RTSI_7 (RTSI_CLK) 2. CLK IN (SMB フロントパネルコネクタ)	PLL 基準クロックは、PLL の基準周波数を提供。
周波数確度	PLL を使用する場合、NI 5412 の周波数確度は、PLL 基準クロックソースの周波数確度のみに基づきます。	—
ロック時間	≤ 200 ms	—
周波数範囲	5 MHz ~ 20 MHz (1 MHz 刻み)。10 MHz のデフォルト。 PLL 基準クロック周波数は ±50 ppm の確度である必要があります。	—
デューティサイクル範囲	40% ~ 60%	—
エクスポートした PLL 基準クロックの出力先	1. PFI<0..1> (SMB フロントパネルコネクタ) 2. NI PXI-5412 —PXI_Trig<0..6> (バックプレーンコネクタ) NI PCI-5412 —RTSI<0..6>	—

物理特性

仕様	値		コメント
	NI PXI-5412	NI PCI-5412	
外形寸法	3U、1 スロット、 PXI/cPCI モジュール 21.6 × 2.0 × 13.0 cm (8.5 × 0.8 × 5.1 in.)	34.1 × 2.0 × 10.7 cm (13.4 × 0.8 × 4.2 in.)	—
重量	340 g (11 oz)	480 g (17 oz)	—
フロントパネルコネクタ			
ラベル	機能	コネクタタイプ	—
CH 0	アナログ出力	SMB (ジャック)	
CLK IN	サンプルクロック入力および PLL 基準クロック入力。	SMB (ジャック)	
PFI 0	マーカ出力、トリガ入力、サンプルクロック出力、エクスポートしたトリガ出力、および PLL 基準クロック出力。	SMB (ジャック)	
PFI 1	マーカ出力、トリガ入力、サンプルクロック出力、エクスポートしたトリガ出力、および PLL 基準クロック出力。	SMB (ジャック)	
NI PXI-5412 のみ – フロントパネル LED インジケータ			
ラベル	機能		詳細については、『NI 信号発生器ヘルプ』を参照してください。
ACCESS	ACCESS LED は、PCI バス、および NI 5412 からコントローラまでのインタフェースのステータスを示します。		
ACTIVE	ACTIVE LED は、NI 5412 のオンボード生成ハードウェアのステータスを示します。		
同梱のケーブル			
1 本 (NI 製品番号 763541-01)、50 Ω、BNC オス – SMB プラグ、RG223/U、ダブルシールドケーブル (1 m)。			—



メモ リビジョン B 以降の NI PXI-5412 モジュールには、改良された PXI Express 対応バックプレーンコネクタが装備されています。この改良されたコネクタにより、NI PXI-5412 は PXI Express シャーシ内のハイブリッドスロットに対応します。NI PXI-5412 モジュールのリビジョンについては、NI PXI-5412 の下側にあるラベルを参照してください。ラベルには 192274x-01 という形式のアセンブリ番号が記載されており、x がリビジョンになります。

フロントパネル

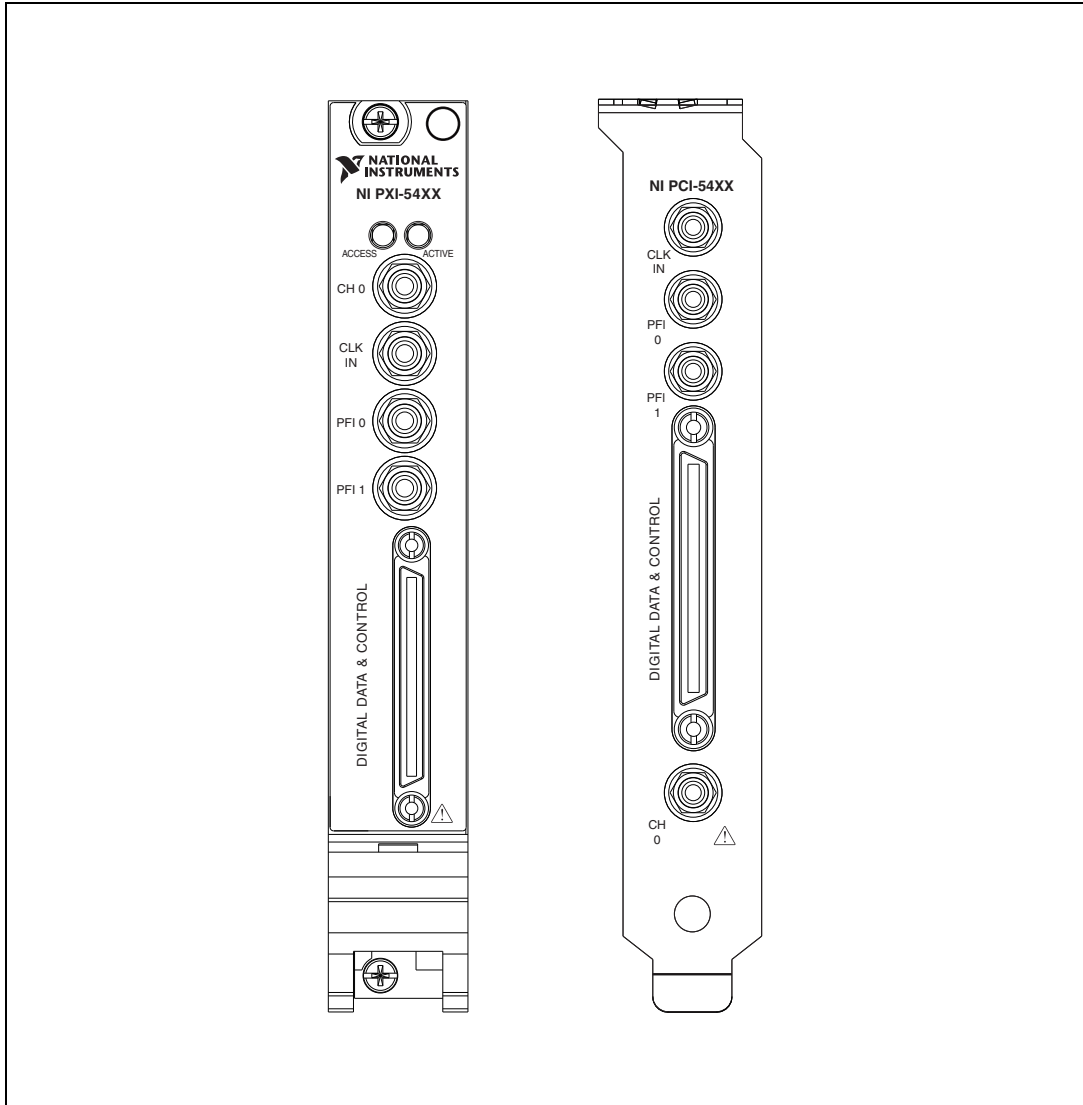


図 2 NI PXI-5412 および NI PCI-5412 のフロントパネル

CLK IN

(サンプルクロックおよび基準クロック入力、フロントパネルコネクタ)

仕様	値	コメント
コネクタ	SMB (ジャック)	—
方向	入力	—
出力先	1. サンプルクロック 2. PLL 基準クロック	—
周波数範囲	1 MHz ~ 105 MHz (サンプルクロックの出力先および正弦波) 200 kHz ~ 105 MHz (サンプルクロックの出力先および方形波) 5 MHz ~ 20 MHz (PLL 基準クロックの出力先)	—
入力電圧レンジ	正弦波 : $0.65 V_{pk-pk} \sim 2.8 V_{pk-pk}$ (50 Ω 負荷) (0 dBm ~ +13 dBm) 方形波 : $0.2 V_{pk-pk} \sim 2.8 V_{pk-pk}$ (50 Ω 負荷)	—
最大入力過負荷	$\pm 10 V$	—
入カインピーダンス	50 Ω	—
入カカップリング	AC	—

PFI 0 および PFI 1

(PFI (プログラム可能な機能的インタフェース)、フロントパネルコネクタ)

仕様	値	コメント
コネクタ	2 SMB (ジャック)	—
方向	双方向	—
周波数範囲	DC ~ 105 MHz	—
入力の場合 (トリガ)		
出力先	開始トリガ	—
最大入力過負荷	-2 V ~ +7 V	—
V_{IH}	2.0 V	
V_{IL}	0.8 V	
入力インピーダンス	1 k Ω	
出力の場合 (イベント)		
ソース	<ol style="list-style-type: none"> 1. サンプルクロックは、整数 K ($1 \leq K \leq 4,194,304$) で分周可能。 2. サンプルクロックタイムベース (100 MHz) は、整数 M ($2 \leq M \leq 4,194,304$) で分周可能。 3. PLL 基準クロック 4. マーカ 5. エクスポートした開始トリガ (出力開始トリガ) 	—
出力インピーダンス	50 Ω	—
最大出力過負荷	-2 V ~ +7 V	—
V_{OH}	最小 : 2.9 V (開回路)、1.4 V (50 Ω 負荷)	出力ドライバは +3.3 V TTL と互換性あり。
V_{OL}	最大 : 0.2 V (開回路)、0.2 V (50 Ω 負荷)	
立ち上がり / 立ち下がり時間 (20 ~ 80%)	≤ 2.0 ns	10 pF の負荷。

TCIk 仕様

ナショナルインスツルメンツの TCIk 同期方法および NI-TCIk 計測器ドライバは、シャーシ内の SMC 対応モジュールのサンプルクロックを揃えるために使用されます。TCIk 同期の詳細については、『NI 信号発生器ヘルプ』の中にある『NI-TCIk 同期ヘルプ』を参照してください。

- 仕様は、1 台の NI PXI-1042 シャーシに取り付けられている任意の数の PXI モジュールに対して有効です。
- 各 SMC 対応モジュールでは、すべてのパラメータが同じ値に設定されています。
- サンプルクロックは 100 MS/s、N で除算、またすべてのフィルタは無効に設定されています。
- マルチシャーシシステムを含むその他の構成については、ナショナルインスツルメンツの技術サポート (ni.com/jp/support) までお問い合わせください。



メモ NI-TCIk を使用して異なるモジュールを同期できますが、これらの仕様は同一のモジュールを使用した場合にのみ適用されます。

仕様	値	コメント
NI-TCIk を使用したモジュール間の SMC 同期 (同一モジュールを使用、標準)		
スキュー	500 ps	クロックおよびアナログパスでの遅延の差による。手動による調整は未実施。
手動での調整後の平均スキュー	<10 ps	手動での調整の詳細については、『NI-TCIk 同期ヘルプ』の「同期再現性の最適化」トピックを参照してください。調整処理に関するその他の情報については、ナショナルインスツルメンツの技術サポート (ni.com/jp/support) までお問い合わせください。
サンプルクロック遅延 / 調整分解能	≤ 10 ps	—

開始トリガ

仕様	値		コメント	
ソース	1. PFI<0..1> (SMB フロントパネルコネクタ) 2. NI PXI-5412 —PFI_Trig<0..7> (PFI バックプレーンコネクタ) NI PCI-5412 —RTSI<0..7> 3. NI PXI-5412 —PFI スタートトリガ (PFI バックプレーンコネクタ) 4. ソフトウェア (VI または関数呼び出しを使用) 5. 即時 (トリガを待機しない)。デフォルト		—	
モード	1. シングル 2. 連続 3. ステップ 4. バースト		—	
エッジ検出	立ち上がり		—	
最小パルス幅	25 ns		NI 信号発生器ヘルプ→デバイス→NI 5412→トリガ→トリガタイミングの t_{s1} を参照してください。	
開始トリガから CH0 アナログ出力までの遅延		補間係数	標準遅延	NI 信号発生器ヘルプ→デバイス→NI 5412→トリガ→トリガタイミングの t_{s2} を参照してください。
		デジタル補間フィルタ無効化。	43 サンプルクロック周期 + 110 ns	
		2	57 サンプルクロック周期 + 110 ns	
		4	63 サンプルクロック周期 + 110 ns	
		8	64 サンプルクロック周期 + 110 ns	

仕様	値	コメント
トリガのエキスポート		
エキスポートしたトリガの出力先	トリガとして使用する信号は、「マーカ」セクションの出力先仕様に記載されるすべての出力先に経路設定が可能です。	—
エキスポートしたトリガ遅延	65 ns (標準)。	NI 信号発生器ヘルプ→デバイス→NI 5412→トリガ→トリガタイミングのt_{s3}を参照してください。
エキスポートしたトリガパルス幅	>150 ns	NI 信号発生器ヘルプ→デバイス→NI 5412→トリガ→トリガタイミングのt_{s4}を参照してください。

マーカ

仕様	値		コメント
出力先	1. PFI<0..1> (SMB フロントパネルコネクタ) 2. NI PXI-5412 —PXI_Trig<0..6> (PXI バックプレーンコネクタ) 3. NI PCI-5412 —RTSI<0..6>		—
数量	1 マーカ / セグメント。		—
波形量	マーカ位置は、4 つのサンプルの整数倍で配置される必要があります。		—
幅	>150 ns		NI 信号発生器ヘルプ → 基本概念 → 波形 → イベント → マーカイベント の t_{m2} を参照してください。
スキュー	出力先	アナログ出力の場合	NI 信号発生器ヘルプ → 基本概念 → 波形 → イベント → マーカイベント の t_{m1} を参照してください。
	PFI <0..1>	±2 サンプルクロック周期	
	NI PXI-5412 PXI_Trig<0..6> NI PCI-5412 RTSI<0..6>	±2 サンプルクロック周期	

任意波形生成モード

仕様	値			コメント
メモリの使用	NI 5412 は、波形と命令がオンボードメモリを共有する SMC (Synchronization and Memory Core) テクノロジを使用しています。シーケンスリストのセグメント数、メモリ内の最大波形数、および波形ストレージで使用できるサンプル数などのパラメータは、柔軟性があり、ユーザ定義です。			—
オンボードメモリサイズ	8 MB 標準: 8,388,608 バイト	32 MB オプション: 33,554,432 バイト	256 MB オプション: 268,435,456 バイト	—
出力モード	任意波形モードおよび任意シーケンスモード			—
任意波形モード	任意波形モードでは、単一波形がオンボードメモリに格納されている波形セットから選択され、生成されます。			—
任意シーケンスモード	任意シーケンスモードでは、シーケンスによって NI 5412 が波形セットを特定の順序で生成します。シーケンスの要素は、セグメントとしても示されます。各セグメントは、一連の命令に関連付けられます。命令は、メモリ内の波形から選択される波形、生成される波形のループ（繰り返し）の数、そしてマーカ出力信号が送信される波形のサンプルを認識します。			—
最小波形サイズ (サンプル)	トリガモード	任意波形モード	任意シーケンスモード	最小波形サイズは、任意シーケンスモードでサンプルレートに依存します。
	シングル	16	16	
	連続	16	96 (>50 MS/s 時)	
			32 (≤ 50 MS/s 時)	
	ステップ	32	96 (>50 MS/s 時)	
			32 (≤ 50 MS/s 時)	
	バースト	16	512 (>50 MS/s 時)	
			256 (≤ 50 MS/s 時)	

仕様	値			コメント
ループカウント	1 ~ 16,777,215 バーストリガ時：無制限			—
波形量	波形サイズは、4 サンプルの整数倍である必要があります。			—
メモリ制限				
	8 MB 標準	32 MB オプション	256 MB オプション	特別な記載がない限りすべてのトリガモード。
任意波形モード、最大波形メモリ	4,194,176 サンプル	16,777,088 サンプル	134,217,600 サンプル	
任意シーケンスモード、最大波形メモリ	4,194,120 サンプル	16,777,008 サンプル	134,217,520 サンプル	条件：シーケンス内に1または2つのセグメントがある場合。
任意シーケンスモード、最大波形	65,000 バーストリガ： 8,000	262,000 バーストリガ： 32,000	2,097,000 バーストリガ： 262,000	条件：シーケンス内に1または2つのセグメントがある場合。
任意シーケンスモード、シーケンス内の最大セグメント	104,000 バーストリガ： 65,000	418,000 バーストリガ： 262,000	3,354,000 バーストリガ： 2,090,000	条件：波形メモリが <4,000 サンプルの場合。

キャリブレーション

仕様	値	コメント
セルフキャリブレーション	オンボードでは、24 ビット ADC および精度電圧基準を用いて DC ゲインおよびオフセットを校正します。セルフキャリブレーションは、ソフトウェアを利用してユーザが開始し、完了までに約 75 秒かかります。	—
外部キャリブレーション	外部キャリブレーションは、VCXO、電圧基準、DC ゲイン、およびオフセットを校正します。適切な定数は、不揮発性メモリに保管されます。	工場出荷時のキャリブレーションと同様。
キャリブレーション間隔	仕様は外部キャリブレーションから 2 年間有効です。	—
ウォームアップ時間	15 分	—

電力

仕様	通常動作	過負荷動作	コメント
合計電力	22 W	26 W	標準。CH 0 が短絡接地されている場合に、過負荷動作が発生。

ソフトウェア

仕様	値	コメント
ドライバソフトウェア	NI-FGEN は、IVI 準拠ドライバで NI 5412 の構成、制御、および校正を可能にします。NI-FGEN は、多数の開発環境アプリケーションプログラミングインタフェースを提供します。	—
アプリケーションソフトウェア	NI-FGEN は、以下のアプリケーション開発環境のプログラミングインタフェースを提供します。 <ul style="list-style-type: none">• LabVIEW• LabWindows™/CVI™• Measurement Studio• Microsoft Visual C++ .NET• Microsoft Visual C/C++• Microsoft Visual Basic	—
対話式の制御および構成ソフトウェア	FGEN ソフトフロントパネルは、NI 5412 の対話的制御をサポートしています。FGEN ソフトフロントパネルは NI-FGEN ドライバ DVD に含まれています。 Measurement & Automation Explorer (MAX) で NI 5412 を対話的に構成、そしてテストすることができます。MAX も NI-FGEN DVD に含まれています。 NI 5412 は、NI SignalExpress と併用可能です。	—

環境

NI PXI-5412 の環境



メモ

NI PXI-5412 を効果的に冷却するには、NI 5412 キットに含まれる『強制空冷の維持について』のガイドラインに従ってください。NI PXI-5412 は、室内使用を意図して設計されています。

仕様	値	コメント
動作温度	0 ~ +55 °C (以下を除くすべての NI PXI シャーシ) 0 ~ +45 °C (NI PXI-101x または NI PXI-1000B シャーシに取り付けた場合)。 IEC 60068-2-1、IEC 60068-2-2 に準拠。	—
保管温度	-25 ~ 85°C。IEC 60068-2-1、IEC 60068-2-2 に準拠。	—
動作時の相対湿度	10 ~ 90% (結露なきこと)。IEC 60068-2-56 に準拠。	—
保管時の相対湿度	5 ~ 95% (結露なきこと)。IEC 60068-2-56 に準拠。	—
動作時衝撃	30 g、半正弦波、11 ms パルス。IEC 60068-2-27 に準拠。 MIL-PRF-28800F に準拠してテストプロファイルを確立。	スペクトルおよびジッタ仕様が低下する場合があります。
保管時衝撃	50 g、半正弦波、11 ms パルス。IEC 60068-2-27 に準拠。 MIL-PRF-28800F に準拠してテストプロファイルを確立。	—
動作振動	5 Hz ~ 500 Hz、0.31 g _{rms} 。IEC 60068-2-64 に準拠。	スペクトルおよびジッタ仕様が低下する場合があります。
保管振動	5 Hz ~ 500 Hz、2.46 g _{rms} 。IEC 60068-2-64 に準拠。テストプロファイルは、MIL-PRF-28800F、Class B の要件を上回る。	—
高度	最大 2,000 m (周囲温度 25 °C 時)	—
汚染度	2	—

NI PCI-5412 の環境



メモ

NI PCI-5412 を効果的に冷却するには、NI 5412 キットに含まれる『強制空冷の維持について』のガイドラインに従ってください。通気の確保やデバイスの寿命に影響を与えないために、隣接している PCI スロットにはデバイスを取り付けないでください。NI PCI-5412 は、屋内での使用を意図して設計されています。

仕様	値	コメント
動作温度	0 ~ + 45°C。IEC 60068-2-1、IEC 60068-2-2 に準拠。	—
保管温度	-25 ~ +85 °C。IEC 60068-2-1、IEC 60068-2-2 に準拠。	—
動作時の相対湿度	10 ~ 90% (結露なきこと)。IEC 60068-2-56 に準拠。	—
保管時の相対湿度	5 ~ 95% (結露なきこと)。IEC 60068-2-56 に準拠。	—
保管時衝撃	50 g、半正弦波、11 ms パルス。IEC 60068-2-27 に準拠。MIL-PRF-28800F に準拠してテストプロファイルを確認。	—
保管振動	5 Hz ~ 500 Hz、2.46 g _{rms} 。IEC 60068-2-64 に準拠。テストプロファイルは、MIL-PRF-28800F、Class B の要件を上回る。	—
高度	最大 2,000 m (周囲温度 25 °C時)	—
汚染度	2	—

認可および準拠

安全性

この製品は、計測、制御、実験に使用される電気装置に関する以下の規格および安全性の必要条件を満たします。

- IEC 61010-1、EN 61010-1
- UL 61010-1、CSA 61010-1



メモ UL およびその他の安全保証については、製品ラベルまたは「オンライン製品認証」セクションを参照してください。

電磁両立性 (EMC)

この製品は、計測、制御、実験に使用される電気装置に関する以下の EMC 規格の必要条件を満たします。

- EN 61326-1 (IEC 61326-1): Class A エミッション、基本イミュニティ
- EN 55011 (CISPR 11): Group 1、Class A エミッション
- AS/NZS CISPR 11: Group 1、Class A エミッション
- FCC 47 CFR Part 15B: Class A エミッション
- ICES-001: Class A エミッション



メモ 製品の EMC 決定に適用する基準については、以下の「オンライン製品認証」セクションを参照してください。



メモ EMC に適合させるには、ドキュメントに従ってこのデバイスを使用してください。

CE マーク準拠 (CE)

この製品は、該当する EC 理事会指令による基本的要件に適合しています。

- 2006/95/EC、低電圧指令 (安全性)
- 2004/108/EC、電磁両立性指令 (EMC)

オンライン製品認証

この製品の製品認証および適合宣言を入手するには、ni.com/certification にアクセスして型番または製品ラインで検索し、保証の欄の該当するリンクをクリックしてください。

環境管理

ナショナルインスツルメンツは、環境に優しい製品の設計および製造に努めています。NI は、製品から特定の有害物質を除外することが、環境および NI のお客様にとって有益であると考えています。

環境の詳細な情報については、ni.com/environment（英語）の NI and the Environment を参照してください。このページには、ナショナルインスツルメンツが準拠する環境規制および指令、およびこのドキュメントに含まれていないその他の環境に関する情報が記載されています。

廃電気電子機器（WEEE）



欧州のお客様へ 製品寿命を過ぎたすべての製品は、必ず WEEE リサイクルセンターへ送付してください。WEEE リサイクルセンターおよびナショナルインスツルメンツの WEEE への取り組み、および廃電気電子機器の WEEE 指令 2002/96/EC 準拠については、ni.com/environment/weee（英語）を参照してください。

电子信息产品污染控制管理办法（中国 RoHS）



中国客户 National Instruments 符合中国电子信息产品中限制使用某些有害物质指令 (RoHS)。关于 National Instruments 中国 RoHS 合规性信息，请登录 ni.com/environment/rohs_china。(For information about China RoHS compliance, go to ni.com/environment/rohs_china.)

サポート情報

技術サポートリソースの一覧は、ナショナルインスツルメンツのウェブサイトでご覧いただけます。ni.com/jp/support では、トラブルシューティングやアプリケーション開発のセルフヘルプリソースから、ナショナルインスツルメンツのアプリケーションエンジニアの E メール / 電話の連絡先まで、あらゆるリソースを参照することができます。

適合宣言 (Doc) とは、その会社の自己適合宣言を用いた、さまざまな欧州閣僚理事会指令への適合の宣言のことです。この制度により、電磁両立性 (EMC) に対するユーザ保護や製品の安全性に関する情報が提供されます。ご使用の製品の適合宣言は、ni.com/certification (英語) から入手できます。ご使用の製品でキャリブレーションがサポートされている場合、ni.com/calibration からその製品の Calibration Certificate (英語) を入手してご利用になることもできます。

ナショナルインスツルメンツでは、米国本社 (11500 North Mopac Expressway, Austin, Texas, 78759-3504) および各国の現地オフィスにてお客様にサポート対応しています。日本国内での電話サポートについては、サービスリクエストを ni.com/jp/support で作成するか、0120-527196 (フリーダイヤル) または 03-5472-2970 (大代表) にお電話ください。日本国外での電話サポートについては、各国の営業所にご連絡ください。

イスラエル 972 3 6393737, イタリア 39 02 41309277,
インド 91 80 41190000, 英国 44 (0) 1635 523545,
オーストラリア 1800 300 800, オーストリア 43 662 457990-0,
オランダ 31 (0) 348 433 466, カナダ 800 433 3488,
韓国 82 02 3451 3400, シンガポール 1800 226 5886,
スイス 41 56 2005151, スウェーデン 46 (0) 8 587 895 00,
スペイン 34 91 640 0085, スロベニア 386 3 425 42 00,
タイ 662 278 6777, 台湾 886 02 2377 2222, チェコ 420 224 235 774,
中国 86 21 5050 9800, デンマーク 45 45 76 26 00,
ドイツ 49 89 7413130, トルコ 90 212 279 3031,
ニュージーランド 0800 553 322, ノルウェー 47 (0) 66 90 76 60,
フィンランド 358 (0) 9 725 72511, フランス 01 57 66 24 24,
ブラジル 55 11 3262 3599, ベルギー 32 (0) 2 757 0020,
ポーランド 48 22 328 90 10, ポルトガル 351 210 311 210,
マレーシア 1800 887710, 南アフリカ 27 0 11 805 8197,
メキシコ 01 800 010 0793, レバノン 961 (0) 1 33 28 28,
ロシア 7 495 783 6851

CVI、LabVIEW、National Instruments、NI、ni.com、National Instruments のコーポレートロゴ及びイーグルロゴは、National Instruments Corporation の商標です。その他の National Instruments の商標については、ni.com/trademarks に掲載されている「Trademark Information」をご覧ください。The mark LabWindows is used under a license from Microsoft Corporation. Windows is a registered trademark of Microsoft Corporation in the United States and other countries. 本文中に記載されたその他の製品名および企業名は、それぞれの企業の商標または商号です。National Instruments の製品/技術を保護する特許については、ソフトウェアで参照できる特許情報 (**ヘルプ>特許情報**)、メディアに含まれている patents.txt ファイル、または「National Instruments Patent Notice」(ni.com/patents)のうち、該当するリソースから参照してください。