

# RIPTIDE<sup>®</sup> FORTREX<sup>®</sup>

BOW-MOUNT TROLLING MOTOR

USER MANUAL

# CE MASTER USER MANUAL (FOR CE/C-TICK CERTIFIED MODELS)

## THANK YOU

Thank you for choosing Minn Kota. We believe that you should spend more time fishing and less time positioning your boat. That's why we build the smartest, toughest, most intuitive trolling motors on the water. Every aspect of a Minn Kota trolling motor is thought out and rethought until it's good enough to bear our name. Countless hours of research and testing provide you the Minn Kota advantage that can truly take you "Anywhere. Anytime." We don't believe in shortcuts. We are Minn Kota. And we are never done helping you catch more fish.

### REMEMBER TO KEEP YOUR RECEIPT AND IMMEDIATELY REGISTER YOUR TROLLING MOTOR.

A registration card is enclosed or you can complete registration on our website at [minnkotamotors.com](http://minnkotamotors.com).

**NOTE:** Do not return your Minn Kota motor to your retailer. Your retailer is not authorized to repair or replace this unit. You may obtain service by: calling Minn Kota at (800) 227-6433; returning your motor to the Minn Kota Factory Service Center; sending or taking your motor to any Minn Kota authorized service center. A list of authorized service centers is available on our website, at [minnkotamotors.com](http://minnkotamotors.com). Please include proof of purchase, serial number and purchase date for warranty service with any of the above options.

**Please thoroughly read this user manual.** Follow all instructions and heed all safety and cautionary notices below. Use of this motor is only permitted for persons that have read and understood these user instructions. Minors may use this motor only under adult supervision.


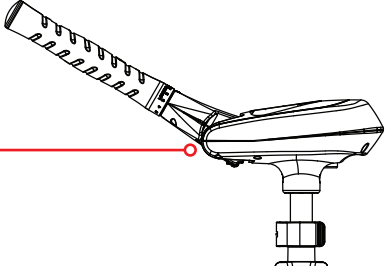
**ATTENTION:** Never run the motor out of the water, as this may result in injuries from the rotating propeller. The motor should be disconnected from the power source when it is not in use or is off the water. When connecting the power-supply cables of the motor to the battery, ensure that they are not kinked or subject to chafe and route them in such a way that persons cannot trip over them. Before using the motor make sure that the insulation of the power cables is not damaged. Disregarding these safety precautions may result in electric shorts of battery(s) and/or motor. Always disconnect motor from battery(s) before cleaning or checking the propeller. Avoid submerging the complete motor as water may enter the lower unit through control head and shaft. If the motor is used while water is present in the lower unit considerable damage to the motor can occur. This damage will not be covered by warranty.

**CAUTION:** Take care that neither you nor other persons approach the turning propeller too closely, neither with body parts nor with objects. The motor is powerful and may endanger or injure you or others. While the motor is running watch out for persons swimming and for floating objects. Persons whose ability to run the motor or whose reactions are impaired by alcohol, drugs, medication, or other substances are not permitted to use this motor. This motor is not suitable for use in strong currents. The constant noise pressure level of the motor during use is less than 70dB(A). The overall vibration level does not exceed 2,5m/sec<sup>2</sup>.

### LOCATING YOUR SERIAL NUMBER

Your Minn Kota 11-character serial number is very important. It helps to determine the specific model and year of manufacture. When contacting Consumer Service or registering your product, you will need to know your product's serial number. We recommend that you write the serial number down in the space provided below so that you have it available for future reference.

**The serial number on your Riptide Fortrex is located located under the tiller handle.**



Made by Minn Kota  
Johnson Outdoors  
Marine Electronics, Inc.  
121 Power Drive  
Mankato, MN 56001 USA  
Trolling Motors  
Produced in 2014

Riptide Fortrex 112/62  
MODEL 1363660

SER NO M365 MK12345  
**EXAMPLE**

Model: \_\_\_\_\_

Serial Number: \_\_\_\_\_

Purchase Date: \_\_\_\_\_

Store Where Purchased: \_\_\_\_\_

# TABLE OF CONTENTS

---

<b>Two-Year Limited Warranty</b>	4
<b>Features</b>	5
<b>Mount Installation</b>	6-9
<b>Battery &amp; Wiring Installation</b>	10-11
Boat Rigging & Product Installation	10
Conductor Gauge and Circuit Breaker Sizing Table	10
Push-to-Test Battery Meter	10
Selecting the Correct Batteries	11
How to Connect Batteries	11
<b>Motor Wiring Diagram</b>	12
<b>Using &amp; Adjusting The Motor</b>	13-15
Stowing & Deploying the Motor	13
Adjusting the Depth of the Motor	14
Controlling Speed and Direction with the Tiller	14
Adjusting the Tilt/Extend Tiller	15
<b>Service &amp; Maintenance</b>	16
Propeller Replacement	16
General Maintenance	16
<b>Troubleshooting &amp; Repair</b>	17
<b>Environmental Compliance Statements</b>	18
<b>Parts Diagram</b>	19
<b>Parts List</b>	20-21

# TWO-YEAR LIMITED WARRANTY

---

## WARRANTY ON MINN KOTA SALTWATER TROLLING MOTORS

Johnson Outdoors Marine Electronics, Inc. ("JOME") extends the following limited warranty to the original retail purchaser only. Warranty coverage is not transferable.

### MINN KOTA LIMITED TWO-YEAR WARRANTY ON THE ENTIRE PRODUCT

JOME warrants to the original retail purchaser only that the purchaser's new Minn Kota saltwater trolling motor will be materially free from defects in materials and workmanship appearing within two (2) years after the date of purchase. JOME will (at its option) either repair or replace, free of charge, any parts found by JOME to be defective during the term of this warranty. Such repair, or replacement shall be the sole and exclusive liability of JOME and the sole and exclusive remedy of the purchaser for breach of this warranty.

### MINN KOTA LIMITED LIFETIME WARRANTY ON COMPOSITE SHAFT

JOME warrants to the original retail purchaser only that the composite shaft of the purchaser's Minn Kota trolling motor will be materially free from defects in materials and workmanship appearing within the original purchaser's lifetime. JOME will provide a new composite shaft, free of charge, to replace any composite shaft found by JOME to be defective during the term of this warranty. Providing a new composite shaft shall be the sole and exclusive liability of JOME and the sole and exclusive remedy of the purchaser for breach of this warranty; **and purchaser shall be responsible for installing, or for the cost of labor to install, any new composite shaft provided by JOME.**

### EXCLUSIONS & LIMITATIONS

This limited warranty does not apply to products that have been used commercially or for rental purposes. This limited warranty does not cover normal wear and tear, blemishes that do not affect the operation of the product, or damage caused by accidents, abuse, alteration, modification, shipping damages, acts of God, negligence of the user or misuse, improper or insufficient care or maintenance. **DAMAGE CAUSED BY THE USE OF OTHER REPLACEMENT PARTS NOT MEETING THE DESIGN SPECIFICATIONS OF THE ORIGINAL PARTS WILL NOT BE COVERED BY THIS LIMITED WARRANTY.**

The cost of normal maintenance or replacement parts which are not in breach of the limited warranty are the responsibility of the purchaser. Prior to using products, the purchaser shall determine the suitability of the products for the intended use and assumes all related risk and liability. Any assistance JOME provides to or procures for the purchaser outside the terms, limitations or exclusions of this limited warranty will not constitute a waiver of the terms, limitations or exclusions, nor will such assistance extend or revive the warranty. JOME will not reimburse the purchaser for any expenses incurred by the purchaser in repairing, correcting or replacing any defective products or parts, except those incurred with JOME's prior written permission. **JOME'S AGGREGATE LIABILITY WITH RESPECT TO COVERED PRODUCTS IS LIMITED TO AN AMOUNT EQUAL TO THE PURCHASER'S ORIGINAL PURCHASE PRICE PAID FOR SUCH PRODUCT.**

### MINN KOTA SERVICE INFORMATION

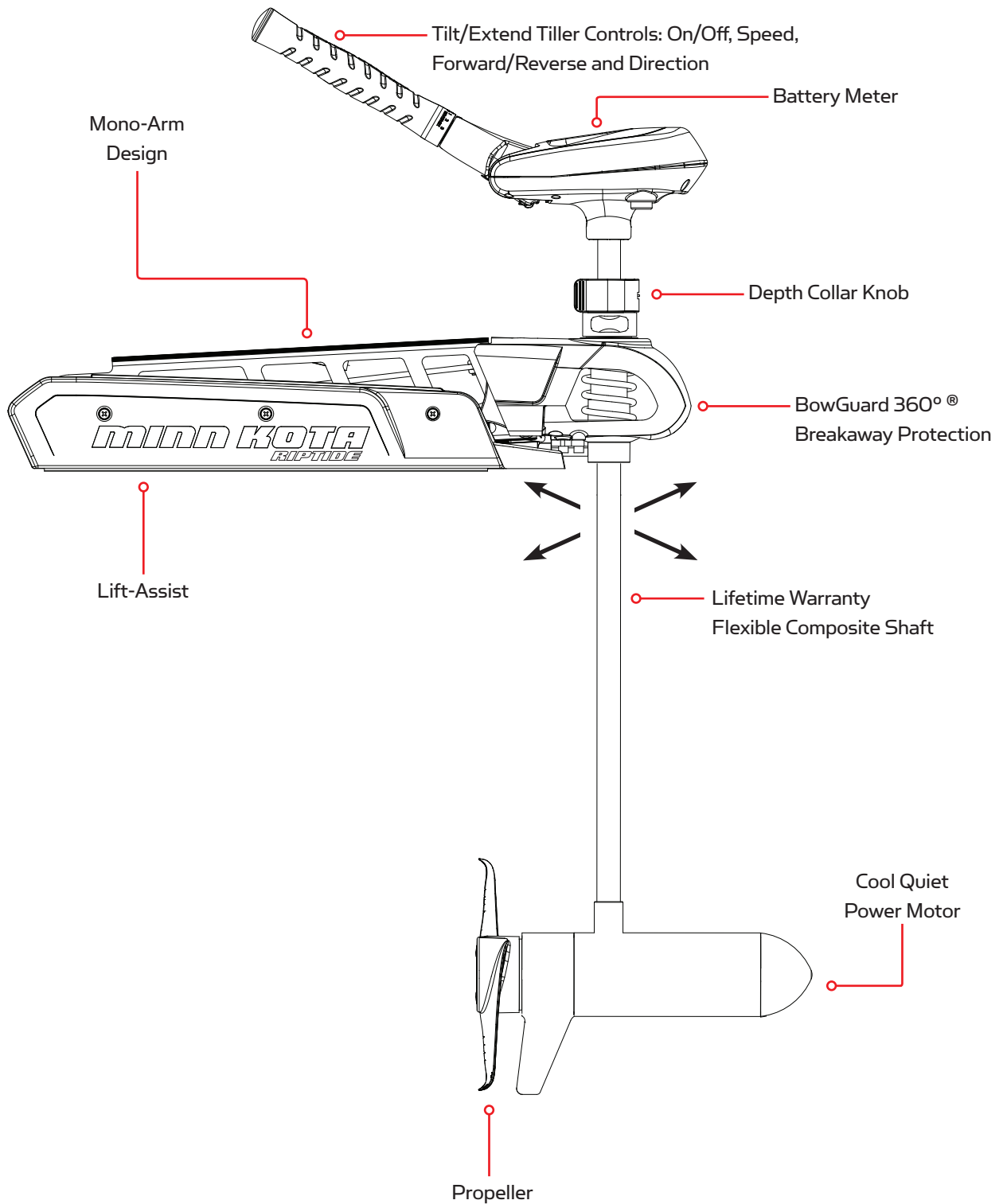
To obtain warranty service in the U.S., the product believed to be defective, and proof of original purchase (including the date of purchase), must be presented to a Minn Kota Authorized Service Center or to Minn Kota's factory service center in Mankato, MN. Any charges incurred for service calls, transportation or shipping/freight to/from the Minn Kota Authorized Service Center or factory, labor to haul out, remove, re-install or re-rig products removed for warranty service, or any other similar items are the sole and exclusive responsibility of the purchaser. Products purchased outside of the U.S. must be returned prepaid with proof of purchase (including the date of purchase and serial number) to any Authorized Minn Kota Service Center in the country of purchase. Warranty service can be arranged by contacting a Minn Kota Authorized Service Center or by contacting the factory at 1-800-227-6433 or email [service@minnkotamotors.com](mailto:service@minnkotamotors.com). **Products repaired or replaced will be warranted for the remainder of the original warranty period [or for 90 days from the date of repair or replacement, whichever is longer]. For any product that is returned for warranty service that JOME finds to be not covered by or not in breach of this limited warranty, there will be a billing for services rendered at the prevailing posted labor rate and for a minimum of at least one hour.**

**NOTE:** Do not return your Minn Kota product to your retailer. Your retailer is not authorized to repair or replace products.

**THERE ARE NO EXPRESS WARRANTIES OTHER THAN THESE LIMITED WARRANTIES. IN NO EVENT SHALL ANY IMPLIED WARRANTIES INCLUDING ANY IMPLIED WARRANTIES OF MERCHANTABILITY OR FITNESS FOR PARTICULAR PURPOSE, EXTEND BEYOND THE DURATION OF THE RELEVANT EXPRESS LIMITED WARRANTY. IN NO EVENT SHALL JOME BE LIABLE FOR PUNITIVE, INDIRECT, INCIDENTAL, CONSEQUENTIAL OR SPECIAL DAMAGES. Without limiting the foregoing, JOME assumes no responsibility for loss of use of product, loss of time, inconvenience or other damage.**

Some states do not allow limitations on how long an implied warranty lasts or the exclusion or limitation of incidental or consequential damages, so the above limitations and/or exclusions may not apply to you. This warranty gives you specific legal rights and you may also have other legal rights which vary from state to state.

# FEATURES



Specifications subject to change without notice.

This diagram is for reference only and may differ from your actual motor.

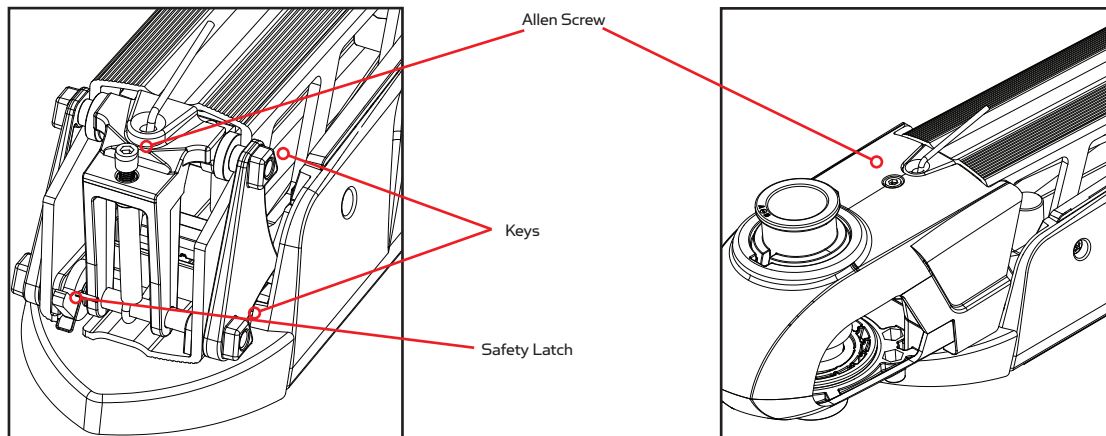
# MOUNT INSTALLATION

## TOOLS AND RESOURCES REQUIRED:

- Phillips Screw Driver
- 1/4" Allen Wrench
- Drill
- 9/32" Drill Bit
- 7/16" Box End Wrench
- A second person to help with the installation

## ASSEMBLY OF MOTOR TO MOUNT

1. Place the mount on an elevated surface such as a workbench or tailgate of pickup.
2. Remove the 5/16" Allen screw and lock washer from the mount using an Allen wrench.



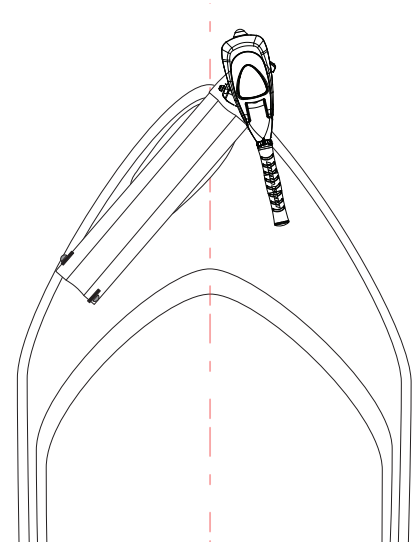
3. Align the key ways on the inside of the Bowguard with the end links on the mount. Lower the motor assembly straight down until seated.
  4. Install the 5/16" Allen screw / lock washer and tighten to 10-12 ft/lbs.
  5. Stow the motor into the flat position by pulling the rope/handle to disengage the latch bar, allowing the motor to fold into the flat position.
  6. Once in the stowed or flat position, the gas spring pin can be installed. Follow the steps below to install the gas spring pin and spacers:
    - Locate the upper gas spring pin and spacers in bag assembly
    - Align the end of the gas spring with the holes in the outer arm.
    - Install pin, spacers and Phillips flat head screws,
    - Tighten screws until the heads are flush with the outer arm.
- NOTE:** Screws have a pre-applied thread locker, DO NOT apply additional thread locker to screws as that may prevent future removal
7. Motor / mount can now be installed onto the boat. Proceed to next page for mounting instructions.

**ATTENTION:** The 5/16" Allen screw must be tight when installed and periodically tightened to 10-12 ft/lbs (Step 4), which will allow the motor to be stowed properly. Tighten the Allen screw when the mount is in the deployed position.

## INSTALLATION OF THE BOW-MOUNT

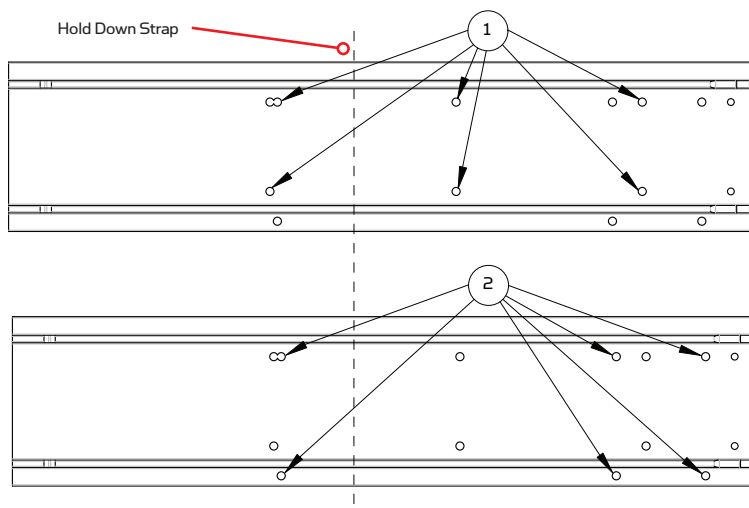
We recommend that you have another person help with this procedure.

- For installation, **DO NOT REMOVE THE SHAFT/MOTOR FROM THE BOWGUARD. The Bowguard spring is under tension and must always remain secured.**
- Place the mount, with the motor in the fully stowed (flat) position, on the deck of the boat:
  - The motor should be mounted as close to the centerline of the boat as possible when it is deployed (see illustration).
  - Make sure bow area under the chosen location is clear and unobstructed for drilling.
  - Make sure the motor rest is positioned far enough beyond the edge of the boat. The motor, as it is lowered into the water or raised into the boat, must not encounter any obstructions
- Once in position, determine which bolt pattern to use (see below), mark at least 4 of the holes (2 on each side) in the bow plate and drill through with a 9/32" drill bit. Either pattern may be used when installing the motor.
  - Pattern 1: Minnkota 3" bolt pattern standard motors.
  - Pattern 2: Alternate 4" bolt pattern commonly used.



**NOTE:** If pattern 2 is to be used, the right side plate must be removed to access the mounting holes in the bow plate.

- Install hold down strap between the motor and deck of boat between second and third set of mounting holes.



- Mount the plate to the bow through the drilled holes using the provided (1/4-20 x 3-1/2") bolts, nuts and washers.
 

**NOTE:** If possible, secure all sets of mounting bolts, nuts and washers.
- Install the bow mount stabilizer (if included). See next section for installation instructions.

**WARNING:** The gas assist lift mechanism in this unit is under HIGH SPRING PRESSURE when the motor is in the deployed position. DO NOT remove the Bowguard assembly from the mount without disconnecting one end of the gas spring (see Removal of Bowguard section). Failure to do this can create a condition where accidental pulling of the rope may cause the mount to spring open rapidly, striking anyone or anything in the direct path.

## MOUNT INSTALLATION

---

### INSTALLING THE BOWMOUNT STABILIZER

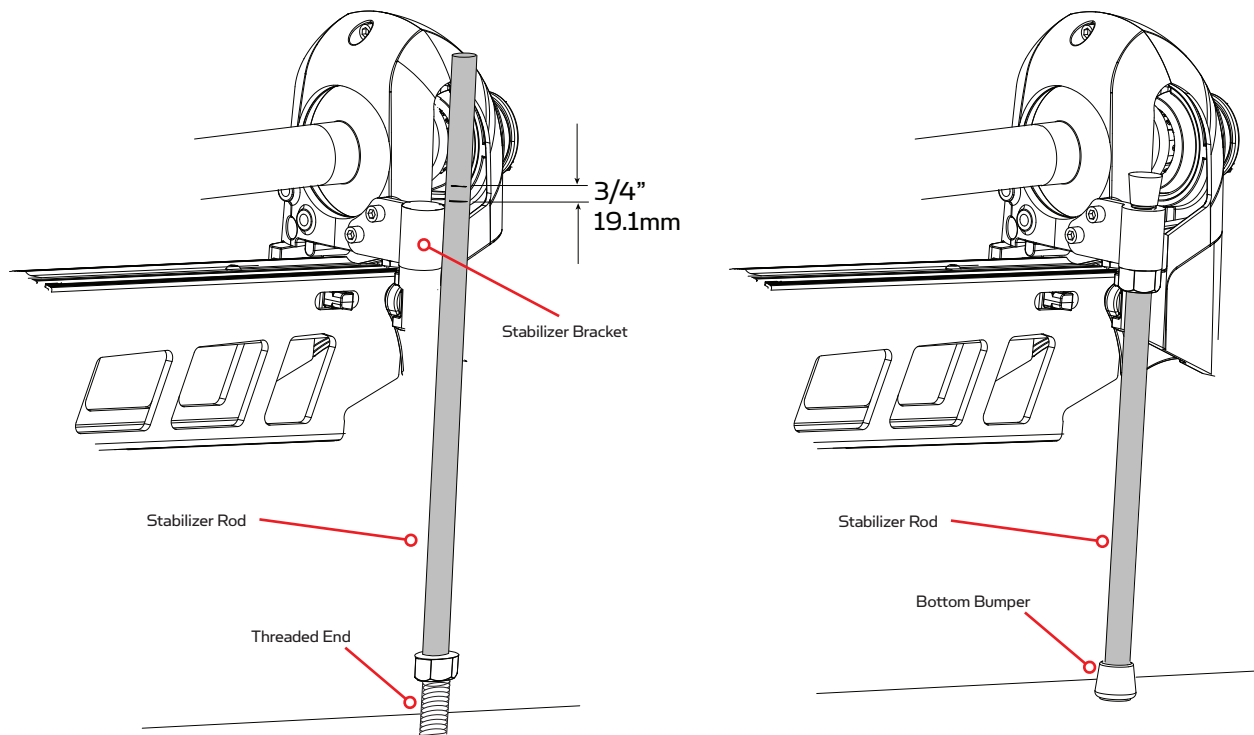
1. Place motor in the stowed position.
2. Unthread the composite rod from the bracket and attach bracket to the bottom of the Bowguard using the 5/16" cap screws and nuts. The nuts fit into pocket on the inside of the Bowguard behind the spring.

**NOTE:** The bracket can be installed on the left or right side of the Bowguard.

3. Pull the bumper off the stabilizer rod and place the rod next to the bracket as shown in illustration.
4. Place the threaded end down onto the deck surface and mark the rod 3/4" above the top of the bracket.
5. Cut the rod to the mark and round the cut edge with a file or sandpaper.
6. Install the bottom bumper to the stabilizer rod and thread the rod into the bracket.
7. Adjust the stabilizer rod up or down to so that the tip just touches the support surface. See illustration below.

**WARNING:** Adjusting the rod too tightly removes the end play needed for proper pin engagement and doing so could prevent the mount from fully latching in the stowed position. If installed correctly, the rod tip should lift off the deck about 1/4" without the mount unlatching.

8. Once adjusted, tighten the jam nut against the bracket, which will prevent the rod from turning.
9. Install top cap if threads are exposed.





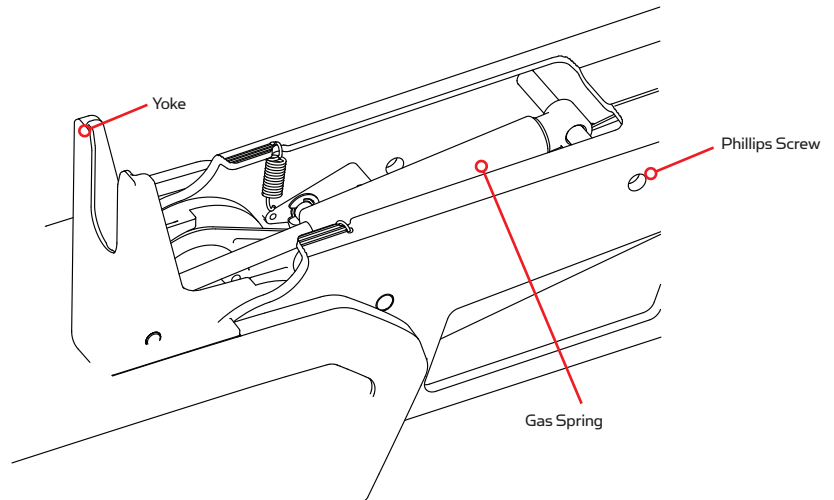
## REMOVAL OF THE BOWGUARD

**WARNING:** The gas assist lift mechanism in this unit is under HIGH SPRING PRESSURE when the motor is in the deployed position. DO NOT remove the Bowguard assembly from the mount without disconnecting one end of the gas spring. Failure to do this can create a condition where accidental pulling of the rope may cause the mount to spring open rapidly, striking anyone or anything in the direct path.

### A) DISCONNECT THE GAS SPRING:

You must disconnect the gas spring before removing the Bowguard assembly from the motor mount. To disconnect the gas springs, follow the instructions below:

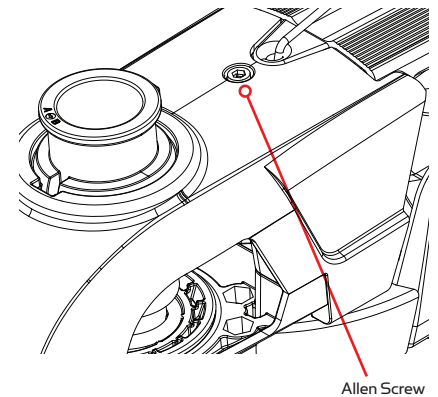
1. With the mount in the stowed position, locate the upper cylinder pin.
2. Using two Phillips screwdrivers, remove 1 of the Phillips flat head screws.
3. Remove pin and spacers from outer arm.
4. Now it is safe to deploy the motor and remove the motor assembly.



### B) REMOVE THE BOWGUARD

1. Once you disconnect the gas spring, place the motor in the deployed position.
2. Remove the 5/16" cap screw and lock washer located on the top of the Bowguard, in front of the pull rope.
3. Lift motor/Bowguard assembly straight up until Bowguard is free from mount.

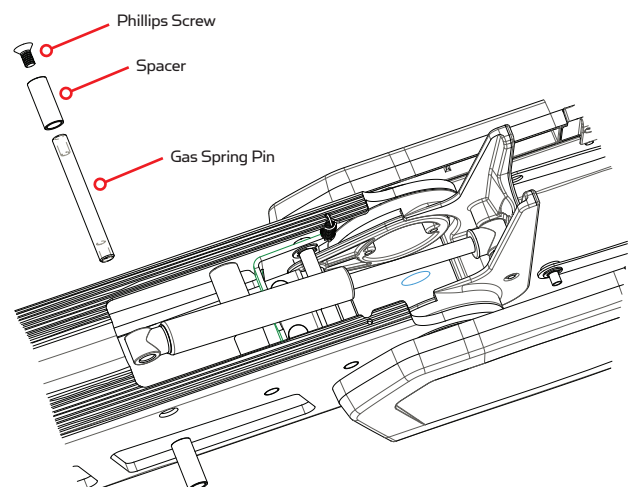
**NOTE:** Rope and latch bar should never be pulled with the motor removed as the assembly is under HIGH PRESSURE.



### C) RE-ASSEMBLING THE BOWGUARD

1. Align the key ways on the inside of the Bowguard with the ends links on the mount. Lower the assembly straight down until seated. Re-install the 5/16" cap screw and washer and tighten.
2. Reconnect the gas spring by following the steps below:
  - Locate the upper gas spring pin and spacers.
  - Align the end of the gas spring with the holes in the outer arm.
  - Install pin, spacers and Phillips flat head screws,
  - Tighten screws until the heads are flush with the outer arm.

**NOTE:** Screws have a pre-applied thread locker, DO NOT apply additional thread locker to screws as that may prevent future removal.



**WARNING: Moving parts can crush or cut. Gas assist lift mechanism is under pressure. Disconnect gas spring before removing motor from mount. Do not pull rope until gas spring is disconnected.**

# BATTERY WIRING & INSTALLATION

## BOAT RIGGING & PRODUCT INSTALLATION

For safety and compliance reasons, we recommend that you follow American Boat and Yacht Council (ABYC) standards when rigging your boat. Altering boat wiring should be completed by a qualified marine technician. The following specifications are for general guidelines only:

**CAUTION:** These guidelines apply to general rigging to support your Minn Kota motor. Powering multiple motors or additional electrical devices from the same power circuit may impact the recommended conductor gauge and circuit breaker size. If you are using wire longer than that provided with your unit, follow the conductor gauge and circuit breaker sizing table below. If your wire extension length is more than 25 feet, we recommend that you contact a qualified marine technician.

**An over-current protection device (circuit breaker or fuse) must be used.** Coast Guard requirements dictate that each ungrounded current-carrying conductor must be protected by a manually reset, trip-free circuit breaker or fuse. The type (voltage and current rating) of the fuse or circuit breaker must be sized accordingly to the trolling motor used. The table below gives recommended guidelines for circuit breaker sizing.

### Reference:

United States Code of Federal Regulations: 33 CFR 183 – Boats and Associated Equipment

ABYC E-11: AC and DC Electrical Systems on Boats

## CONDUCTOR GAUGE AND CIRCUIT BREAKER SIZING TABLE

Motor Thrust / Model	Max Amp Draw	Circuit Breaker	Wire Extension Length *				
			5 feet	10 feet	15 feet	20 feet	25 feet
30 lb.	30	50 Amp @ 12 VDC	10 AWG	10 AWG	8 AWG	6 AWG	4 AWG
40 lb., 45 lb.	42		10 AWG	8 AWG	6 AWG	4 AWG	4 AWG
50 lb., 55 lb.	50	60 Amp @ 12 VDC	8 AWG	6 AWG	4 AWG	4 AWG	2 AWG
70 lb.	42	50 Amp @ 24 VDC	10 AWG	10 AWG	8 AWG	8 AWG	6 AWG
80 lb.	56	60 Amp @ 24 VDC	8 AWG	8 AWG	8 AWG	6 AWG	6 AWG
101 lb.	46	50 Amp @ 36 VDC	8 AWG	8 AWG	8 AWG	8 AWG	8 AWG
Engine Mount 101	50	60 Amp @ 36 VDC	8 AWG	6 AWG	4 AWG	4 AWG	2 AWG
112 lb.	52	60 Amp @ 36 VDC	8 AWG	8 AWG	8 AWG	8 AWG	8 AWG
Engine Mount 160	116	(2) x 60 Amp @ 24 VDC	2 AWG	2 AWG	2 AWG	2 AWG	2 AWG
E-Drive	40	50 Amp @ 48 VDC	10 AWG	10 AWG	10 AWG	10 AWG	10 AWG

**This conductor and circuit breaker sizing table is only valid for the following assumptions:**

1. No more than 3 conductors are bundled together inside of a sheath or conduit outside of engine spaces.
2. Each conductor has 105° C temp rated insulation.
3. No more than 5% voltage drop allowed at full motor power based on published product power requirements.

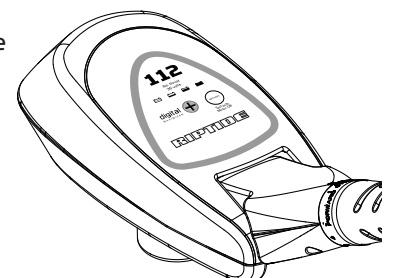
**\*Wire Extension Length refers to the distance from the batteries to the trolling motor leads.**

## PUSH-TO-TEST BATTERY METER

This motor is equipped with a “push-to-test” battery meter. The LED light provides an accurate display of the remaining charge in the battery. It is only accurate when the motor is off.

The meter reads as:

- One light indicates recharge.
- Two lights indicate low charge.
- Three lights indicate good charge.
- Four lights indicate full charge.



## SELECTING THE CORRECT BATTERIES

The motor will operate with any lead acid, deep cycle marine 12 volt battery/batteries. For best results, use a deep cycle, marine battery with at least a 105 ampere hour rating. Maintain battery at full charge. Proper care will ensure having battery power when you need it, and will significantly improve the battery life. Failure to recharge lead-acid batteries (within 12-24 hours) is the leading cause of premature battery failure. Use a multi-stage charger to avoid overcharging. We offer a wide selection of chargers to fit your charging needs. If you are using a crank battery to start a gasoline outboard, we recommend that you use a separate deep cycle marine battery/batteries for your Minn Kota trolling motor.

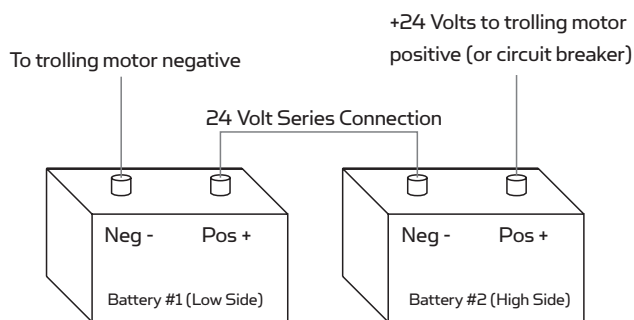
### Advice Regarding Batteries:

- Never connect the (+) and the (-) terminals of the same battery together. Take care that no metal object can fall onto the battery and short the terminals. This would immediately lead to a short and extreme fire danger.
- It is highly recommended that a circuit breaker or fuse be used with this trolling motor. Refer to “Conductor Gauge and Circuit Breaker Sizing Table” in the previous section to find the appropriate circuit breaker or fuse for your motor. For motors requiring a 60-amp breaker, the Minn Kota MKR-19 60-amp circuit breaker is recommended.

## CONNECTING THE BATTERIES IN SERIES (IF REQUIRED FOR YOUR MOTOR)

### 24 VOLT SYSTEMS:

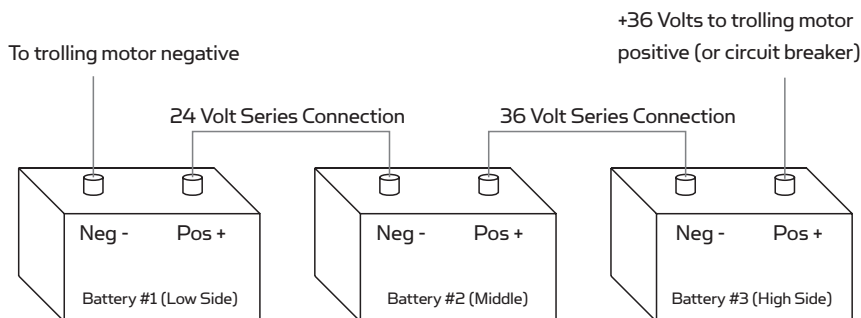
1. Make sure that the motor is switched off (speed selector on “0”).
2. Two 12 volt batteries are required.
3. The batteries must be wired in series, only as directed in wiring diagram, to provide 24 volts.
  - a. Connect a connector cable to the positive (+) terminal of battery 1 and to the negative (-) terminal of battery 2.
  - b. Connect positive (+) red motor lead to positive (+) terminal on battery 2.
  - c. Connect negative (-) black motor lead to negative (-) terminal of battery 1.
4. For safety reasons do not switch the motor on until the propeller is in the water. If installing a leadwire plug, observe proper polarity and follow instructions in your boat owner’s manual. See wiring diagram on following pages.



**Two 12-volt batteries connected in series for 24 volts**

### 36 VOLT SYSTEMS:

1. Make sure that the motor is switched off (speed selector on “0”).
2. Three 12 volt batteries are required.
3. The batteries must be wired in series, only as directed in wiring diagram, to provide 36 volts.
  - a. Connect a connector cable to the positive (+) terminal of battery 1 and to the negative (-) terminal of battery 2 and another connector cable from the positive (+) terminal of battery 2 to the negative (-) terminal of battery 3.
  - b. Connect positive (+) red motor lead to positive (+) terminal on battery 3.
  - c. Connect negative (-) black motor lead to negative (-) terminal of battery 1.
4. For safety reasons do not switch the motor on until the propeller is in the water. If installing a leadwire plug, observe proper polarity and follow instructions in your boat owner’s manual. See wiring diagram on following pages.



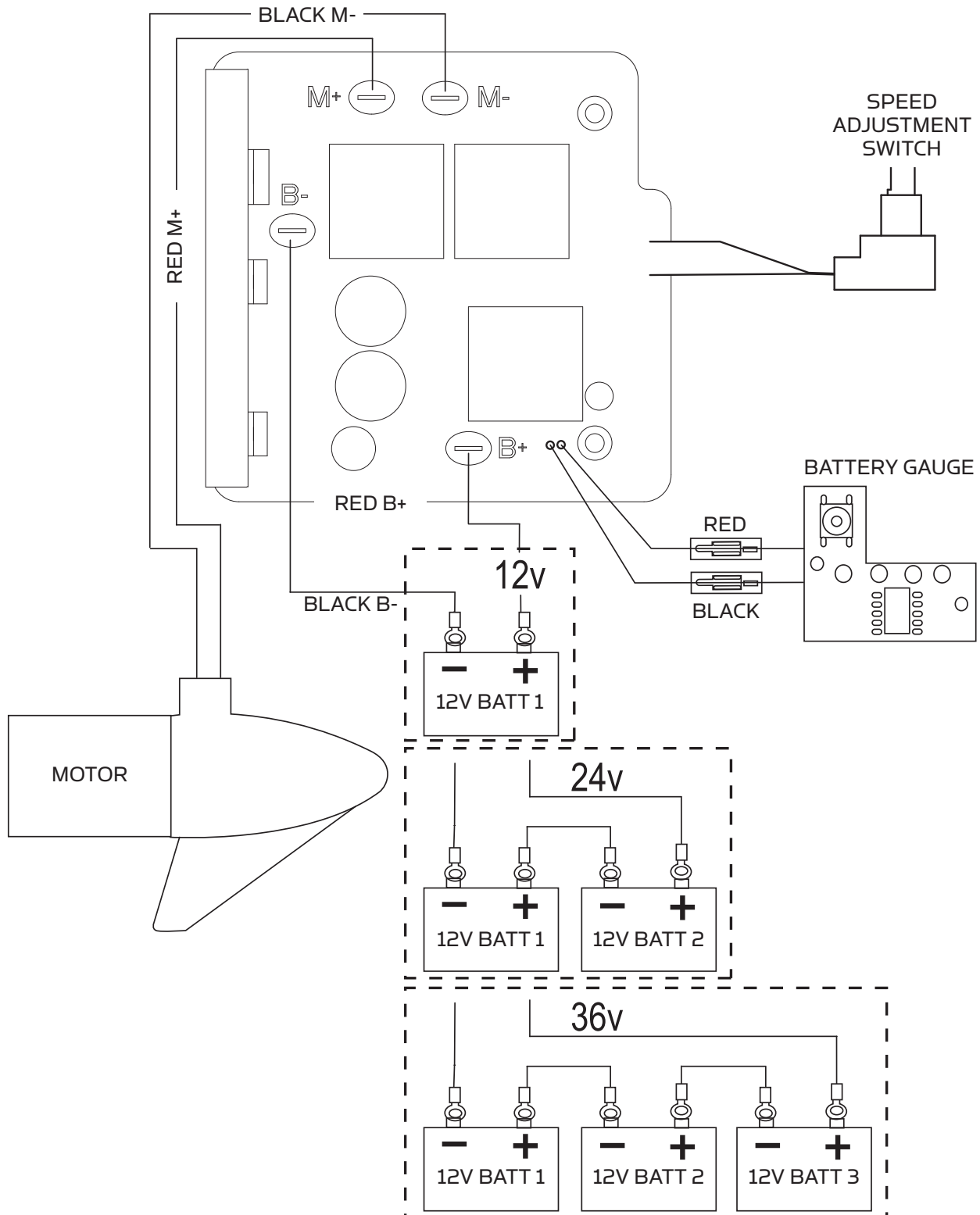
**Three 12-volt batteries connected in series for 36 volts**

### CAUTION

- **Improper wiring of 24/36 volt systems could cause battery explosion!**
- **Keep leadwire wing nut connections tight and solid to battery terminals.**
- **Locate battery in a ventilated compartment.**
- **For safety reasons, disconnect the motor from the battery or batteries when the motor is not in use or while the battery/batteries are being charged.**

# MOTOR WIRING DIAGRAM

**NOTE:** This is a universal, multi-voltage diagram. Double-check your motor's voltage for proper connections. Over-Current Protection Devices not shown in this illustration.



# USING AND ADJUSTING THE MOTOR

## STOWING AND DEPLOYING THE MOTOR

### WARNING:

**When raising or lowering the motor, keep fingers clear of all hinge and pivot points and all moving parts.**

### MOUNT FEATURES

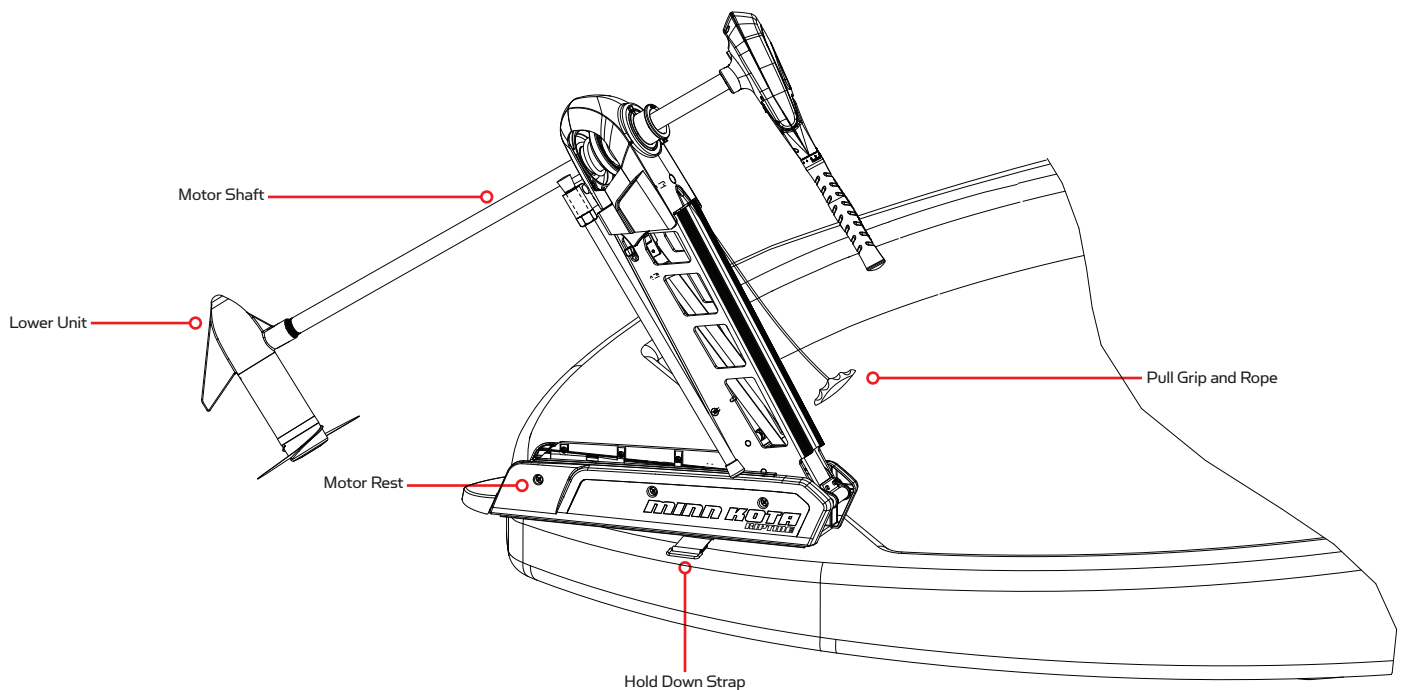
- The motor mount is designed to fold back and lock the motor flat on the deck when not in use and to provide secure stowage for transport.
- The pull grip and rope releases the lock bar, which automatically engages when the unit is lowered or raised into position. The pull grip and rope should be used to both lower and raise the unit.
- The motor rest positions the lower unit as it comes in contact with the nose of the mount and guides it onto the motor rest.
- The yoke captures the motor shaft and keeps the lower unit centered on the motor rest.
- The hold-down strap must be used to place pressure on the motor shaft to hold the lower unit tightly against the motor rest when stowed.
- The pull grip and rope can be stored by placing the pull grip into the rope stow slot on the control box of the motor.

### TO DEPLOY THE MOTOR

Simply pull back and lift the motor off of the mount with the pull grip and rope. Lower the motor into the water using the pull grip and rope. The motor will lock into the deployed position automatically.

### TO STOW THE MOTOR

Pull back and lift the motor out of the water with the pull grip and rope. Lower the motor lower unit onto the motor rest using the pull grip and rope. The motor will lock into the stowed position automatically. Wrap the hold-down strap over top of the motor shaft to secure the motor.



## USING & ADJUSTING THE MOTOR

### ADJUSTING THE DEPTH OF THE MOTOR

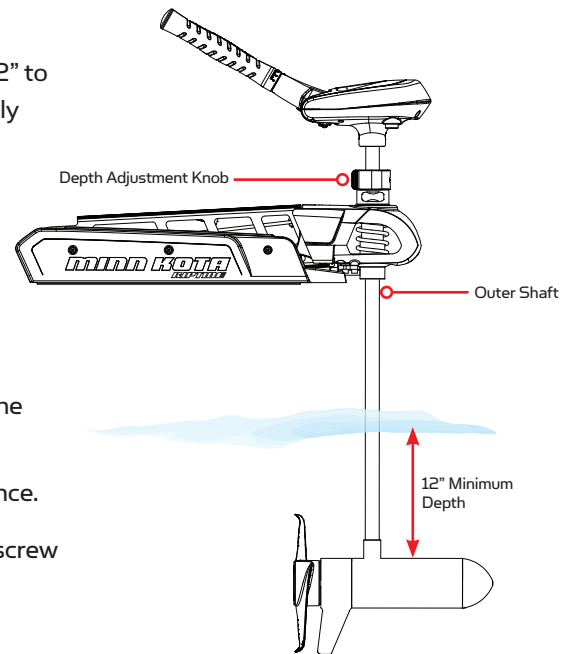
When setting the depth be sure the top of the motor is submerged at least 12" to avoid churning or agitation of surface water. The propeller must be completely submerged.

1. Firmly grasp the motor shaft and hold it steady.
2. Loosen steering tension knob.
3. Open the lever arm to loosen the Quick Release Depth Collar.
4. Vertically adjust the height of the motor to the desired position.
5. Bring the depth collar to the top of the steering tension knob, and close the lever arm to lock the depth collar into position.
6. Tighten the steering tension knob to achieve the desired steering resistance.

**NOTE:** The tension of the quick release depth collar can be adjusted with a screw driver to obtain the proper feel.

#### CAUTION:

- **Never operate your motor when it is out of the water.**



### ADJUSTING THE STEERING

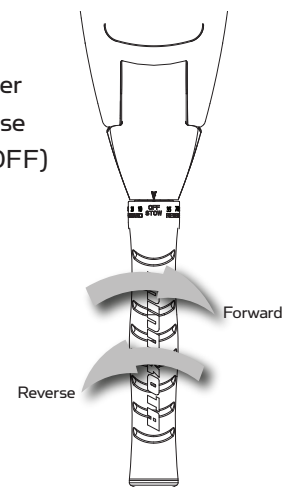
- Adjust the steering tension knob to provide enough tension to allow the motor to turn freely, yet remain in any position without being held

OR

- Tighten the knob to place the motor in a preset position to leave your hands free for fishing.

### CONTROLLING SPEED & STEERING WITH THE TILLER

This motor offers variable forward and reverse speeds. The speed control may be operated in either direction, forward or reverse. Turn the tiller handle counterclockwise from (OFF) to increase reverse speed and clockwise from (OFF) to increase forward speed. Speed decreases as you approach (OFF) from either direction.



## ADJUSTING THE TILT/EXTEND TILLER

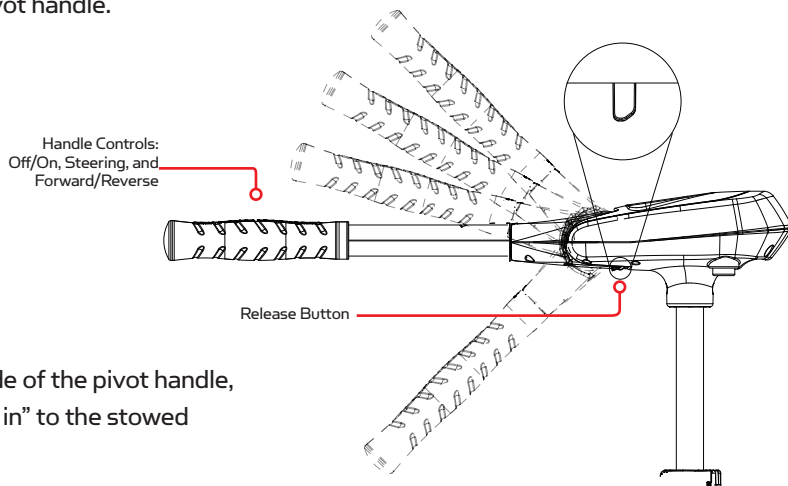
Your trolling motor features 7 usable handle tilt positions: 45°, 30°, and 15° up and down from the 0° (horizontal) position. To use the down positions, you must first press the release button located on the left underside of the pivot handle.

Your trolling motor handle also features a unique stow position, that is useful for limiting the amount of space required for storage or travel.

**Important: BEFORE attempting to put the handle in the stowed position, the speed selector must be in the OFF/STOW position . Failure to do so will damage the internal mechanism.**

First press the release button located on the left underside of the pivot handle, then push the handle down until you feel the handle “lock in” to the stowed position. This will be almost parallel to the motor shaft.

To extend the handle, pull the handle towards you to the desired position. The handle will extend a full 6 inches. To retract, push the handle in until it meets the face of the motor control head.



# SERVICE & MAINTENANCE

## PROPELLER REPLACEMENT

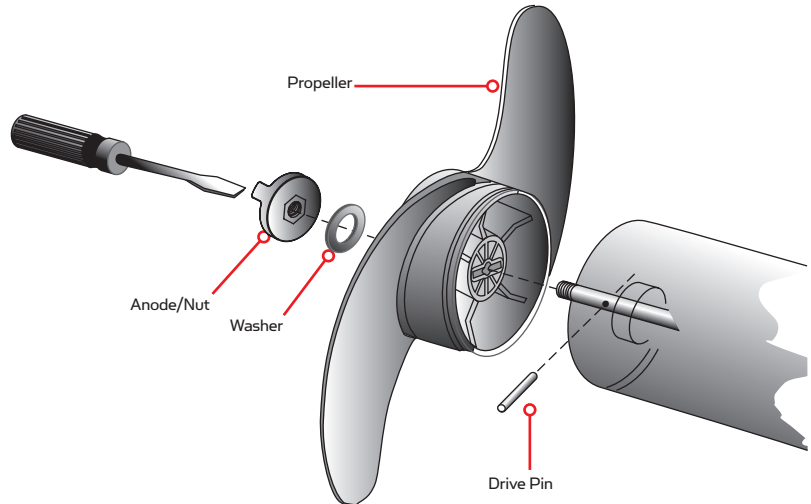
### TOOLS AND RESOURCES REQUIRED:

- Box End Wrench
  - 1/2" for motors with 70 lbs thrust or lower.
  - 9/16" for motors with 80 lbs thrust or higher.
- Screwdriver (optional)

### CAUTION:

**Disconnect the motor from the battery before beginning any prop work or maintenance.**

**NOTE:** The propeller on your motor may differ from the one pictured.



1. Disconnect motor from battery prior to changing the propeller.
2. Hold the propeller and loosen the anode/nut with a wrench.
3. Remove anode/nut and washer. If the drive pin is sheared/broken, you will need to hold the shaft steady with a screwdriver blade pressed into the slot on the end of the shaft.
4. Turn the old prop to horizontal (as illustrated) and pull it straight off. If drive pin falls out, push it back in.
5. Align new propeller with drive pin.
6. Install prop washer and anode/nut.
7. Tighten anode/ nut 1/4 turn past snug. [25-35 inch lbs.] Be careful, over tightening can damage prop.

## GENERAL MAINTENANCE

- After every use, the entire motor should be rinsed with freshwater, then wiped down with a cloth dampened with an aqueous based silicone spray. Do not spray water into the ventilation openings in the head of the motor.
- The composite shaft requires periodic cleaning and lubrication for proper retraction and deployment. A coating of an aqueous based silicone spray will improve operation.
- The propeller must be inspected and cleaned of weeds and fishing line after every use. Fishing line and weeds can get behind the prop, damage the seals and allow water to enter the motor.
- Verify the prop nut is secure each time the motor is used.
- To prevent accidental damage during transportation or storage, disconnect the battery whenever the motor is off of the water. For prolonged storage, lightly coat all metal parts with an aqueous based silicone spray.
- For maximum battery life, recharge the battery(s) as soon as possible after use. For maximum motor performance, restore battery to full charge prior to use.
- Keep battery terminals clean with fine sandpaper or emery cloth (flooded lead acid only).
- The propeller is designed to provide optimum operation with very high efficiency. To maintain this top performance, the leading edge of the blades must be kept smooth. If they are rough or nicked from use, restore to smooth by sanding with fine sandpaper.



# TROUBLESHOOTING & REPAIR

---

1. Motor fails to run or lacks power:
  - Check battery connections for proper polarity.
  - Make sure terminals are clean and corrosion free. Use fine sandpaper or emery cloth to clean terminals.
  - Check battery water level. Add water if needed.
2. Motor loses power after a short running time:
  - Check battery charge. If low, restore to full charge.
3. Motor is difficult to steer:
  - Loosen the steering tension knob on the bracket
  - Lubricate the composite shaft.
4. You experience prop vibration during normal operation:
  - Remove and rotate the prop 180°. See removal instructions in the Propeller Replacement section.
5. Experiencing interference with your fishfinder:
  - You may, in some applications, experience interference in your depth finder display. We recommend that you use a separate deep cycle marine battery for your trolling motor and that you power the depth finder from the starting/cranking battery. If problems still persist, call our service department at 1-800-227-6433.

**NOTE:** For all other malfunctions, visit an Authorized Service Center. You can search for an Authorized Service Center in your area by visiting our Authorized Service Center page, found online at [minnkotamotors.com](http://minnkotamotors.com), or by calling our customer service number, 800-227-6433.

## FOR FURTHER TROUBLESHOOTING AND REPAIR

We offer several options to help you troubleshoot and/or repair your product. Please read through the options listed below.



### FREQUENTLY ASKED QUESTIONS

We have FAQs available on our website to help answer all of your Minn Kota questions. Visit [minnkotamotors.com](http://minnkotamotors.com) and click on “Frequently Asked Questions” to find an answer to your question.



### CALL US (FOR U.S. AND CANADA)

Our consumer service representatives are available Monday – Friday between 7:00 a.m. – 4:30 p.m. CST at 800-227-6433. If you are calling to order parts, please have the 11-character serial number from your product, specific part numbers, and credit card information available. This will help expedite your call and allow us to provide you with the best consumer service possible. You can reference the parts list located in your manual to identify the specific part numbers.



### EMAIL US

You can email our consumer service department with questions regarding your Minn Kota products. To email your question, visit [minnkotamotors.com](http://minnkotamotors.com) and click on “Support”.



### AUTHORIZED SERVICE CENTERS

Minn Kota has over 300 authorized service centers in the United States and Canada where you can purchase parts or get your products repaired. Please visit our Authorized Service Center page on our website to locate a service center in your area.

# COMPLIANCE STATEMENTS

---

## ENVIRONMENTAL COMPLIANCE STATEMENT:

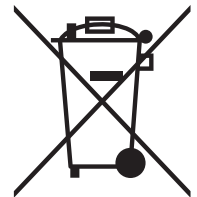
It is the intention of JOME to be a responsible corporate citizen, operating in compliance with known and applicable environmental regulations, and a good neighbor in the communities where we make or sell our products.

## WEEE DIRECTIVE:

EU Directive 2002/96/EC "Waste of Electrical and Electronic Equipment Directive (WEEE)" impacts most distributors, sellers, and manufacturers of consumer electronics in the European Union. The WEEE Directive requires the producer of consumer electronics to take responsibility for the management of waste from their products to achieve environmentally responsible disposal during the product life cycle.

WEEE compliance may not be required in your location for electrical & electronic equipment (EEE), nor may it be required for EEE designed and intended as fixed or temporary installation in transportation vehicles such as automobiles, aircraft, and boats. In some European Union member states, these vehicles are considered outside of the scope of the Directive, and EEE for those applications can be considered excluded from the WEEE Directive requirement.

This symbol (WEEE wheelie bin) on product indicates the product must not be disposed of with other household refuse. It must be disposed of and collected for recycling and recovery of waste EEE. Johnson Outdoors Inc. will mark all EEE products in accordance with the WEEE Directive. It is our goal to comply in the collection, treatment, recovery, and environmentally sound disposal of those products; however, these requirements do vary within European Union member states. For more information about where you should dispose of your waste equipment for recycling and recovery and/or your European Union member state requirements, please contact your dealer or distributor from which your product was purchased.



## DISPOSAL:

Minn Kota motors are not subject to the disposal regulations EAG-VO (electric devices directive) that implements the WEEE directive. Nevertheless never dispose of your Minn Kota motor in a garbage bin but at the proper place of collection of your local town council.

Never dispose of battery in a garbage bin. Comply with the disposal directions of the manufacturer or his representative and dispose of them at the proper place of collection of your local town council.

**WARNING: This product contains chemicals known to the State of California to cause cancer and birth defects or other reproductive harm.**

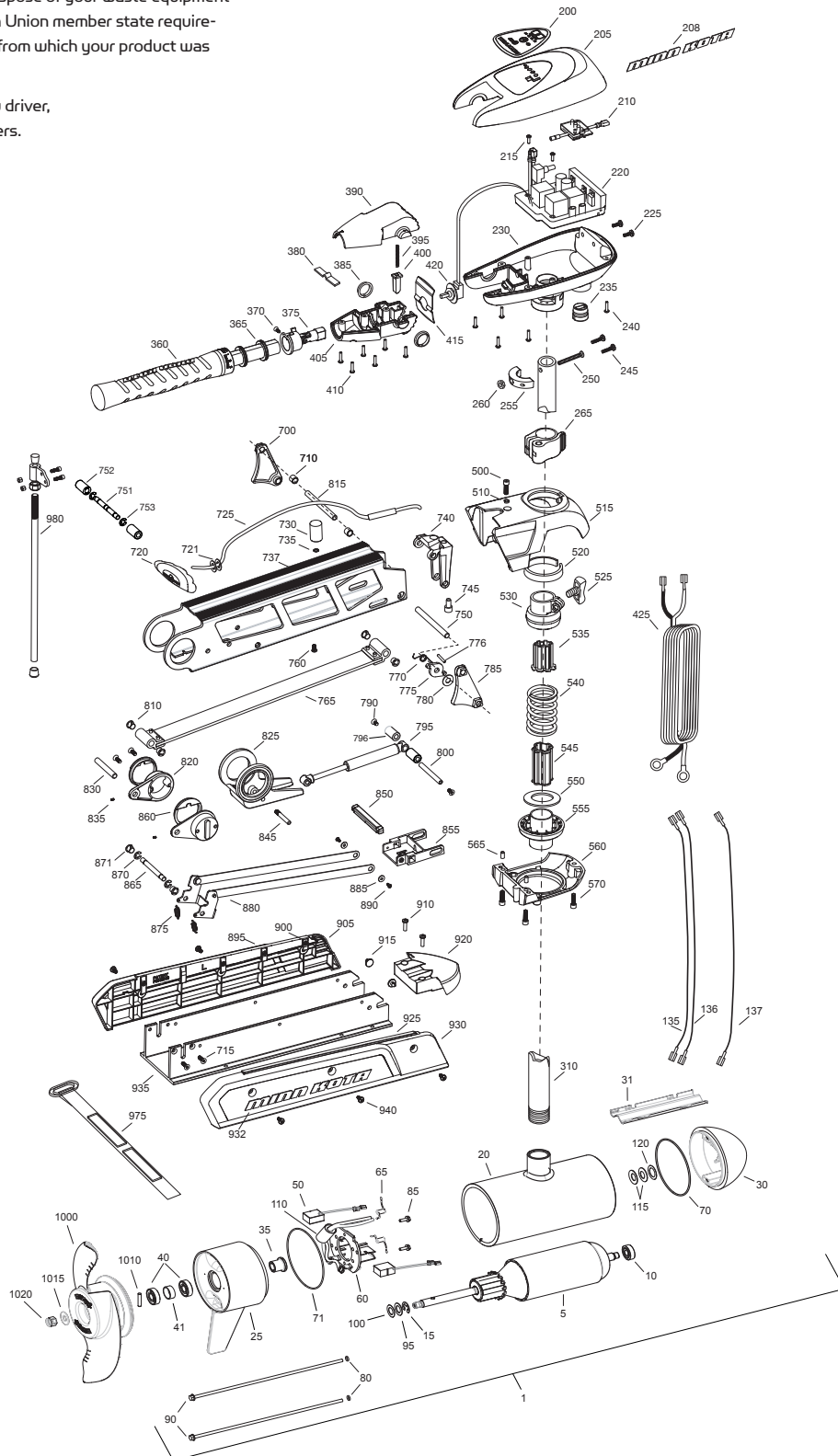
# PARTS DIAGRAM

## RIPTIDE FORTREX 112

### 112 LBS THRUST - 36 VOLT - 62" SHAFT

This page provides Minn Kota® WEEE compliance disassembly instructions. For more information about where you should dispose of your waste equipment for recycling and recovery and/or your European Union member state requirements, please contact your dealer or distributor from which your product was purchased.

Tools required, but not limited to: flat head screw driver, Phillips screw driver, socket set, pliers, wire cutters.



# PARTS LIST

## RIPTIDE FORTREX 112

### 112 LBS THRUST - 36 VOLT - 62" SHAFT

ITEM	QTY	PART NUMBER	DESCRIPTION
1	1	2317091	36V MOTOR 62" SW
5	1	2-100-245	ARMATURE ASSEMBLY
10	1	140-014	BEARING
15	1	788-040	RETAINING RING
20	1	2-200-340	CENTER HOUSING ASSEMBLY
25	1	2-300-151	BRUSH END HOUSING ASSEMBLY
30	1	421-241	PLAIN END HOUSING ASSY. STD
31	1	582-016	RETAINING CLIP
35	1	144-017	FLANGE BEARING
40	2	880-025	SEAL
41	1	725-095	PAPER TUBE - SEAL BORE
50	2	188-095	BRUSH
60	1	9-738-011	BRUSH PLATE ASSEMBLY
65	2	975-045	BRUSH SPRING
■		2881450	SEAL AND O-RING KIT [40, 70-80]
70	1	701-098	O-RING, PLAIN END HOUSING
71	1	701-107	O-RING, BRUSH END HOUSING
80	2	701-009	O-RING, THRU-BOLT
85	2	2053410	SCREW-BRUSH PLATE
90	2	830-094	THRU-BOLT
95	1	990-051	WASHER, STEEL
100	2	990-052	WASHER, NYLATRON
110	1	2307312	FERRITE BEAD
115	1	990-011	WASHER, SHIM
120	2	992-011	WASHER, BELLEVILLE
135	1	640-045	LEADWIRE, BLACK 62"
136	1	640-145	LEADWIRE, RED 62"
200	1	2285605	DECAL, C-BOX COVER 112#
205	1	2060296	C-BOX COVER
208	2	2325666	DECAL - MINNKOTA
210	1	2074082	BATTERY METER, 36V SW
215	2	3043427	SCREW, #8 X 7/8 SS
220	1	2184017	CONTROL BOARD, 24/36V
■		2888411	POTENTIOMETER REPLACEMENT KIT
225	2	2303434	SCREW, #8-30 X 5/8 SS
230	1	2062503	CONTROL BOX, VARS, SW
235	1	2062905	STRAIN RELIEF
240	6	2303412	SCREW, #6 X 5/8 SS
245	2	2263434	SCREW, #8 X 1 SS
250	1	2263406	SCREW, #10-24 X 2 SS
255	1	2061517	COLLAR, C-BOX

ITEM	QTY	PART NUMBER	DESCRIPTION
260	1	2333101	NUT, 10-24, NYLOCK, SS
265	1	2991521	CAM LOCK/DEPTH COLLAR ASSY
310	1	2002015	TUBE COMPOSITE 62"
■	1	2990957	HANDLE ASSY, VARS [360-410]
360	1	2990456	GRIP ASSY, VARS [360-375]
365	2	2060015	BEARING, HANDLE
370	1	2063405	SCREW, #6 PFH SS
375	1	2884092	YOKE / SPIDER ASSY, VARS
380	1	2302742	SPRING, DETENT, OFF
385	2	2060005	BEARING, HANDLE PIVOT
390	1	2060900	HANDLE PIVOT, TOP
395	1	2302745	SPRING, RELEASE BUTTON
400	1	2063700	BUTTON, RELEASE
405	1	2060905	HANDLE PIVOT, BOTTOM
410	6	2303412	SCREW, #6 X 5/8 SS
415	1	2062715	SPRING, HANDLE PIVOT
420	1	2061700	WASHER, POT HOLDER
425	1	2992521	LEADWIRE ASSY
■	1	2991757	BOWGUARD ASSY SW [500-570]
500	1	2283414	SCREW, 5/16-18 SHCS, RIE
510	1	2281700	WASHER, 5/16 HIGH COLLAR LOCK
515	1	2281953	BOWGUARD TOP
520	1	2280001	BEARING, BOWGUARD TOP
525	1	2011366	KNOB, SS
530	1	2261525	SPRING SLEEVE, UPPER
535	1	2264702	TUBE INSERT, UPPER
540	1	2262705	SPRING, BOWGUARD
545	1	2282000	TUBE INSERT, LOWER
550	1	2281525	SPACER, LOWER SPRING
555	1	2281520	SPRING SLEEVE, LOWER
560	1	2991729	BOWGUARD BOTTOM
565	2	2282612	PIN-SPRING, 5/16", SS
570	3	2283413	SCREW, 3/8-16 SHCS, RIE
■	1	2991751	MOUNT, FORTREX, 62" [700-940]
700	1	2280800	LINK, BOWGUARD MOUNT, LEFT
710	2	2287303	BUSHING, UPPER PINS
715	4	2283411	SCREW, 1/4-20 X 1" FHS RIE TORX
720	1	2880400	PULL GRIP ASSEMBLY
721	2	2261732	WASHER
725	1	2771601	ROPE ASSEMBLY
730	1	2281516	SPACER, INNER ARM

# PARTS LIST

## RIPTIDE FORTREX 112 112 LBS THRUST - 36 VOLT - 62" SHAFT

ITEM	QTY	PART NUMBER	DESCRIPTION
735	1	2281702	WASHER, LOCK 1/4
737	1	2284212	OUTER ARM, LONG, 62"
740	1	2992302	ROPE GUIDE ASSEMBLY
745	1	2281530	INSERT, THREADED
750	1	2282608	PIN, 7/16 X 5 5/32
751	1	2282602	PIN, 3/8 X 3 3/4
752	2	2261505	SPACER
753	2	2263011	E-RING, 3/8 SHAFT
760	1	2223418	SCREW, 1/4-20 X 1/2 BHCS
765	1	2993821	INNER ARM ASSEMBLY, LONG, 62"
770	1	2042711	SPRING, TORSION
775	1	2283620	LATCH, SAFETY
776	1	2282611	SPRING, SAFETY LATCH
780	1	2281704	WASHER 7/16 NYLON
785	1	2280805	LINK, BOWGUARD MOUNT, RIGHT
790	2	2283410	SCREW 1/4-20 X 1/2 PFH
795	1	2288405	GAS SPRING, 112#, LONG
796	2	2281710	SPACER, GAS SPRING
800	1	2282610	PIN, UPPER, SHOCK
810	4	2280005	BEARING, NYLINER 7/16"
815	1	2282600	PIN, 7/16 X 4 7/8
820	2	2281932	BRACKET, REAR PIVOT
825	1	2281501	YOKE, SHOCK MOUNT
830	1	2282606	PIN, 7/16 X 4 1/2
835	2	2283402	SCREW, SET, 6-32 X 1/4
845	1	2282604	PIN, KNURLED 5/16 X 2
850	1	2283615	LATCH BAR
855	1	2283610	BRACKET - LATCH/STRAP, ROPE PULL
860	2	2287300	BUSHING, REAR PIVOT
865	1	2282602	PIN, 3/8 X 3 3/4
870	2	2263011	E-RING, 3/8 SHAFT
871	2	2280008	BEARING, IGLIDE
875	2	2282720	SPRING, EXTENSION
880	1	2773601	LATCH STRAP ASSEMBLY, LONG
885	2	2261732	WASHER 8, NYLON
890	2	2373450	SCREW 8-18 X 3/8
■	1	2993916	SIDEPLATE ASSY., LONG, LEFT, SW
895	1	2288625	SUPPORT, LEFT SIDEPLATE
900	8	2283408	SCREW 8 X 3/8
905	1	2283916	SIDEPLATE, LONG, LEFT, SW
910	2	2073408	SCREW 1/4-20 X 7/8

ITEM	QTY	PART NUMBER	DESCRIPTION
915	2	2286700	PLUG, SPACER
920	1	2283900	RAMP, MOTOR
■	1	2993926	SIDEPLATE ASSY., LONG, RIGHT, SW
925	1	2288620	SUPPORT, RIGHT SIDEPLATE
930	1	2283926	SIDEPLATE, LONG, RIGHT, SW
932	2	2285501	DECAL, SIDEPLATE, SW
935	1	2281912	BASE EXTRUSION, LONG, 62"
940	6	2323405	SCREW 1/4-20 X 1/2
975	1	2773806	STRAP HOLD DOWN
980	1	2991925	BRACKET STABILIZER ASSEMBLY
	1	2265100	BUMPER (CRUTCH TIP)
	1	2263624	ANODIZED ALUMINUM 3/4" ROD, 22"
	1	2263107	HEX NUT 3/4-10 NYLON
	1	2281929	STABILIZER ARM BRACKET
	1	2260221	VINYL CAP
	1	2223100	NYLOCK STAINLESS STEEL NUT
	1	2263422	SCREW - 5/16-18 X 1"
■		1378160	PROPELLER KIT WW2 [1000-1020]
■		2994876	PROPELLER BAG ASSY [1010-1020]
1000	1	2341160	PROPELLER WW2
1010	1	2262658	DRIVE PIN, LARGE 1" X 3/16" S5
1015	1	2091701	WASHER, PROP, LARGE
1020	1	2198401	NUT, NYLOCK, PROP, ANODE
■		2994830	BAG ASSEMBLY

■ THIS ITEM IS PART OF AN ASSEMBLY.

\*THIS ITEM IS PART OF A KIT AND ONLY LISTED FOR VIEWING PURPOSES.

# RECOMMENDED ACCESSORIES

## ON-BOARD & PORTABLE BATTERY CHARGERS

**Stop buying new batteries and start taking care of the ones you've got.** Many chargers can actually damage your battery over time – creating shorter run times and shorter overall life. Digitally controlled Minn Kota chargers are designed to provide the fastest charge that protect and extend battery life.



MK345PC



MK210D



MK110P

## TALON SHALLOW WATER ANCHOR

Talon deploys faster, holds stronger and runs quieter than any other shallow water anchor. Available in depths up to 12' and bold color options including camo, it boasts an arsenal of features and innovations that no other anchor can touch:



- Vertical, Multi-Stage Deployment
- User-Selectable Anchoring Modes
- 2x Anchoring Force
- Fast Deploy
- Auto Up/Down
- Triple Debris Shields
- Built-In Wave Absorption
- Noise Dissipation
- Versatile Adjustments

## MINN KOTA ACCESSORIES

We offer a wide variety of trolling motor accessories, including:



- 60-Amp Circuit Breaker
- Mounting Brackets
- Stabilizer Kits
- Extension Handles
- Battery Connectors
- Battery Boxes
- Quick Connect Plugs

For a complete listing of Minn Kota accessories, visit [minnkotamotors.com](http://minnkotamotors.com)

Follow us:



[minnkotamotors.com](http://minnkotamotors.com)

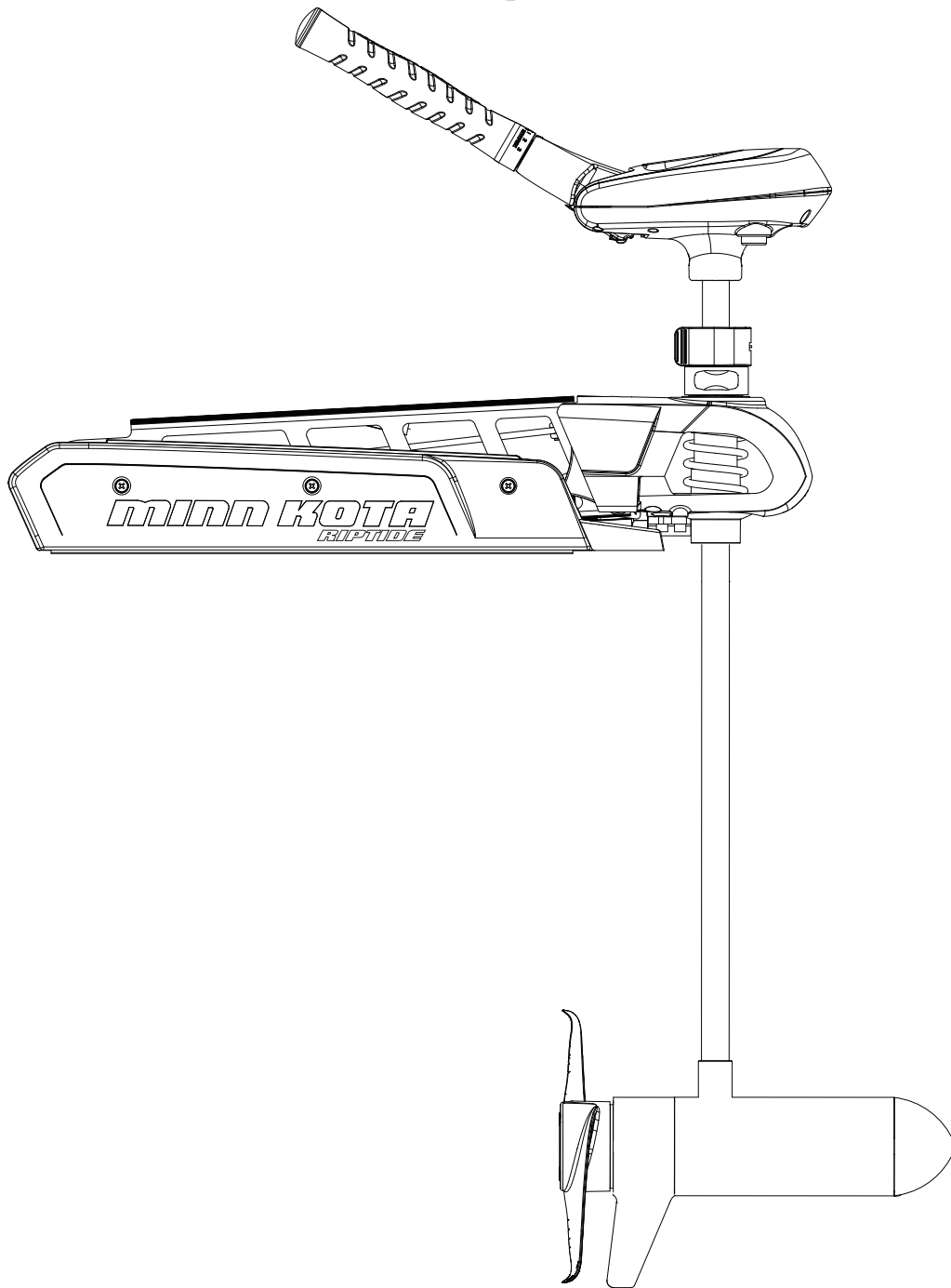
Minn Kota Consumer & Technical Service  
Johnson Outdoors Marine Electronics, Inc.  
PO Box 8129  
Mankato, MN 56001

121 Power Drive  
Mankato, MN 56001  
Phone (800) 227-6433  
Fax (800) 527-4464



©2015 Johnson Outdoors Marine Electronics, Inc.  
All rights reserved.

**MINN-KOTA®**



# **RIPTIDE® FORTREX®**

MOTEUR DE PÊCHE À LA TRAÎNE  
MONTÉ SUR L'ÉTRAVE

MANUEL DE L'UTILISATEUR

## MERCI

Nous vous remercions d'avoir choisi Minn Kota. Nous sommes persuadés que vous devriez consacrer plus de temps à pêcher et moins de temps à amarrer votre embarcation. C'est pourquoi nous construisons les propulseurs électriques les plus intelligents, les plus solides et les plus intuitifs. Chaque aspect d'un propulseur électrique Minn Kota est envisagé et étudié jusqu'à ce qu'il soit digne de porter notre nom. Des heures incalculables de recherche et d'essai vous assurent les avantages d'un article Minn Kota qui vous mènera n'importe où, et n'importe quand. Notre principe est simple, nous faisons les choses selon les règles. Nous sommes Minn Kota. Et nous ne cesserons jamais de vous aider à pêcher plus de poissons.

### **N'OUBLIEZ PAS DE CONSERVER VOTRE REÇU ET D'ENREGISTRER IMMÉDIATEMENT VOTRE PROPULSEUR ÉLECTRIQUE.**

Un formulaire d'enregistrement est compris ou vous pouvez remplir le formulaire d'enregistrement par Internet sur le site Web [minnkotamotors.com](http://minnkotamotors.com).

**REMARQUE :** ne pas retourner le moteur Minn Kota au détaillant. Le détaillant n'est pas autorisé à réparer ou à remplacer cet appareil. Pour le service communiquer avec Minn Kota au +1 (800) 227-6433; retourner le moteur au Centre de service de l'usine de Minn Kota; envoyer ou apporter le moteur à un centre de service agréé de Minn Kota. Une liste de centres de service agréés est disponible sur notre site Web [minnkotamotors.com](http://minnkotamotors.com). Pour obtenir un service au titre de la garantie, y compris toutes les options susmentionnées, veuillez inclure la preuve d'achat, le numéro de série et la date de l'achat.

**Veillez lire attentivement ce manuel de l'utilisateur.** Suivre toutes les instructions et tenir compte de toutes les consignes de sécurité et les mises en garde décrites ci-dessous. L'utilisation de ce moteur n'est autorisée que pour les personnes qui ont lu et compris ces consignes pour l'utilisateur. Les personnes mineures peuvent utiliser ce moteur uniquement sous la supervision d'un adulte.

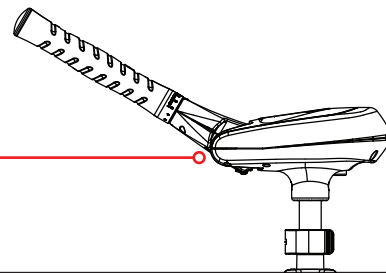
**ATTENTION :** ne jamais faire fonctionner le moteur hors de l'eau, puisque cela entraînerait des blessures causées par l'hélice en rotation. Le moteur doit être débranché de la source d'alimentation lorsqu'il n'est pas utilisé ou lorsqu'il est hors de l'eau. Au moment de brancher les câbles d'alimentation du moteur à la batterie, veiller à ce qu'ils ne soient pas entortillés ou exposés au frottement, puis les placer de telle manière que les personnes ne puissent pas faire trébucher. Avant d'utiliser le moteur, s'assurer que l'isolant des câbles d'alimentation n'est pas endommagé. Ne pas tenir compte de ces mesures de sécurité peut entraîner des courts-circuits avec les batteries et/ou le moteur. Toujours débrancher le moteur des batteries avant le nettoyage ou la vérification de l'hélice. Éviter de submerger complètement le moteur, car l'eau pourrait pénétrer dans l'unité inférieure par la tête de contrôle et l'arbre. Si le moteur est utilisé alors que de l'eau est présente dans l'unité inférieure, ce dernier pourrait subir des dommages considérables. Ces dommages ne seront pas couverts par la garantie.

**ATTENTION :** veillez à ce que ni vous, ni les autres personnes ne s'approchent trop près de l'hélice en rotation, que ce soit seulement avec une partie du corps ou des objets. Le moteur est puissant et pourrait provoquer des situations périlleuses ou des blessures, pour vous ou les autres. Lorsque le moteur est en marche, se méfier des objets flottants ou des personnes qui pourraient être en train de nager. Les personnes, dont les réactions ou la capacité à faire fonctionner le moteur est/sont affaiblie (s) par l'alcool, la drogue, les médicaments ou d'autres substances, ne sont pas autorisées à utiliser ce moteur. Ce moteur n'est pas adapté à l'utilisation dans de forts courants. Le niveau de pression sonore constant du moteur au moment de l'utilisation est inférieur à 70 dB (A). Le niveau de vibration général ne dépasse pas 2,5 m/s<sup>2</sup>.

### **LOCALISATION DU NUMÉRO DE SÉRIE**

Le numéro de série à 11 caractères Minn Kota est très important. Il permet de déterminer le modèle spécifique et l'année de fabrication. Lorsque vous contactez le service à la clientèle ou que vous enregistrez votre article, vous aurez besoin du numéro de série de votre article. Nous vous suggérons d'inscrire le numéro de série dans l'espace fourni ci-dessous afin qu'il soit disponible ultérieurement.

**Le numéro de série de votre Riptide Fortrex se trouve sous la barre d'inclinaison.**



Modèle : \_\_\_\_\_

Numéro de série : \_\_\_\_\_

Date de l'achat : \_\_\_\_\_

Magasin où l'achat a été effectué : \_\_\_\_\_



# TABLE DES MATIÈRES

---

<b>Garantie Limitée de Deux Ans</b>	26
<b>Caractéristiques</b>	27
<b>Installation du Support</b>	28-31
<b>Installation de la Batterie et du Câblage</b>	32-33
Grément de l'embarcation et Installation du Produit	32
Tableau des Dimensions de Gabarit des Conducteurs et Disjoncteurs	32
Gabarit « Pousoir d'essai » de la batterie	32
Sélectionner une Batterie Adéquate	33
Comment raccorder la Batterie	33
<b>Schéma de Câblage du Moteur</b>	34
<b>Utilisation et Réglage du Moteur</b>	35-37
L'arrimage et le Déploiement du Moteur	35
Pour Ajuster la Profondeur du Moteur	36
Contrôle de Vitesse et direction avec le Tiller	36
Réglage de la Barre d'Inclinaison/d'Extension Tiller	37
<b>Service et Entretien</b>	38
Remplacement de l'Hélice	38
Entretien Général	38
<b>Dépannage et Réparation</b>	39
<b>Déclaration de Conformité</b>	40
<b>Schéma des Pièces</b>	19
<b>Liste des Pièces</b>	20-21
<b>Remarques</b>	41

# GARANTIE LIMITÉE DE DEUX ANS

## GARANTIE LIMITÉE DES MOTEURS DE PÊCHE À LA TRAÎNE EN EAU SALÉE MINN KOTA

Johnson Outdoors Marine Electronics, Inc. (« JOME ») offre la garantie limitée suivante uniquement à l'acheteur au détail initial. La garantie n'est pas transférable.

### GARANTIE LIMITÉE DE DEUX ANS DE MINN KOTA SUR L'ENSEMBLE DU PRODUIT

JOME garantit à l'acheteur au détail initial seulement que son nouveau moteur de pêche à la traîne en eau salée Minn Kota est exempt de défauts résultant d'un vice de fabrication et de main-d'œuvre pour une période de deux (2) ans suivant la date d'achat. JOME se réserve le droit de réparer ou de remplacer, au choix et gratuitement, toute pièce pouvant s'avérer défectueuse pendant la durée de la présente garantie. Cette réparation ou ce remplacement est l'unique et exclusive responsabilité de JOME et constitue le seul recours de l'acheteur pour tout manquement à la présente garantie.

### GARANTIE À VIE LIMITÉE DE MINN KOTA SUR L'ARBRE COMPOSITE

JOME garantit uniquement à l'acheteur au détail initial que l'arbre composite de son propulseur électrique Minn Kota est exempt de défauts résultant d'un vice de fabrication et de main-d'œuvre pouvant survenir au cours de la durée de vie de l'acheteur initial. JOME fournira, gratuitement, un arbre composite neuf pour remplacer tout arbre composite pouvant s'avérer défectueux pendant la durée de la présente garantie. Fournir un arbre composite neuf sera la seule et exclusive responsabilité de JOME et le seul et unique recours de l'acheteur pour tout manquement à la présente garantie; et l'acheteur sera responsable de l'installation ou du coût de la main-d'œuvre pour l'installation de tout arbre composite neuf, fourni par JOME.

### EXCLUSIONS & LIMITATIONS

La présente garantie limitée ne s'applique pas aux produits qui ont été utilisés en eau salée, en eau saumâtre ou à des fins commerciales ou locatives. Cette garantie ne couvre pas l'usure normale, les imperfections qui n'affectent pas le fonctionnement du moteur, ni les dommages causés par les accidents, l'abus, l'altération, la modification, les dommages durant le transport, les désastres naturels, la négligence de l'utilisateur, l'utilisation abusive, un soin ou un entretien inadéquat. **LES DOMMAGES CAUSÉS PAR L'UTILISATION DE PIÈCES DE REMPLACEMENT NON CONFORMES AUX SPÉCIFICATIONS DE CONCEPTION DES PIÈCES ORIGINALES NE SONT PAS COUVERTS PAR LA PRÉSENTE GARANTIE LIMITÉE.** Le coût de l'entretien normal ou des pièces de rechange qui ne contreviennent pas à la garantie limitée incombe à l'acheteur. Avant utilisation, l'acheteur doit déterminer si le produit convient à l'emploi prévu et assume tous les risques et responsabilités connexes. Toute assistance fournie par JOME à l'acheteur ou au nom de ce dernier hors du cadre des modalités, des restrictions et des exclusions de la présente garantie limitée ne constitue pas une renonciation à l'égard de telles modalités, restrictions ou exclusions, et une telle assistance n'aura pas pour effet de prolonger ni de restaurer la garantie. JOME ne remboursera aucune dépense encourue par l'acheteur dans le cadre de la réparation, de la correction ou du remplacement de pièces ou de produits défectueux, à l'exception des dépenses engagées sur consentement écrit préalable de JOME. **LA RESPONSABILITÉ GLOBALE DE JOME À L'ÉGARD DES PRODUITS COUVERTS PAR LA GARANTIE EST LIMITÉE À UN MONTANT ÉQUIVALENT AU PRIX D'ACHAT PAYÉ POUR LE PRODUIT EN QUESTION.**

### INFORMATION SUR LE SERVICE MINN KOTA

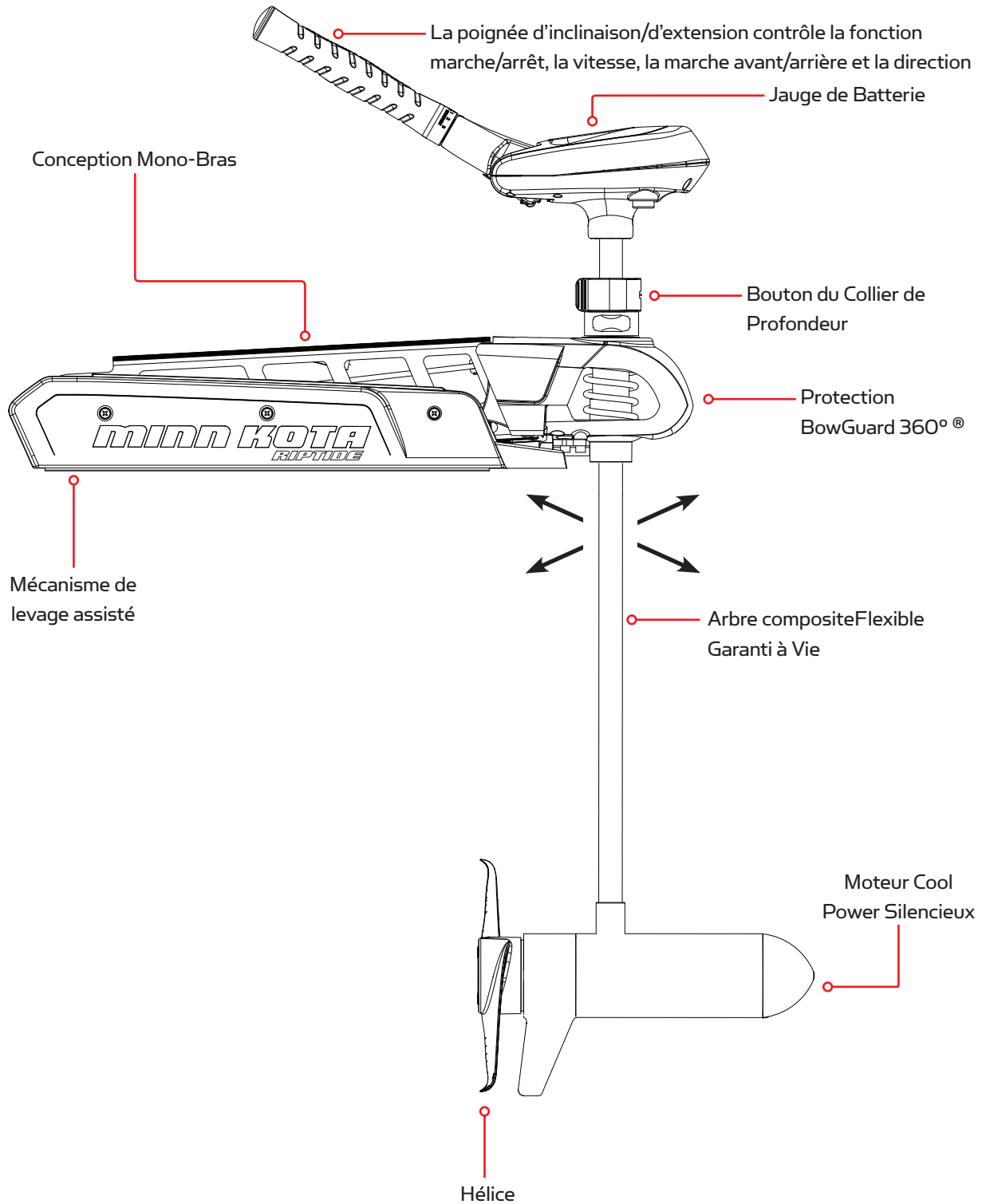
Pour obtenir le service au titre de la garantie aux États-Unis, le produit jugé défectueux et la preuve d'achat originale (comportant la date d'achat), doivent être présentés à un centre de service agréé Minn Kota ou au centre de service de l'usine de Minn Kota à Mankato, au Minnesota. Tous les frais encourus pour des appels de service, de transport ou d'expédition à destination ou à partir du centre de service agréé ou de l'usine Minn Kota, de main-d'œuvre pour transporter, retirer, réinstaller ou regréer les articles retirés pour le service de garantie, ou tout autre élément similaire, sont sous la seule et unique responsabilité unique et exclusive de l'acheteur. Les articles achetés à l'extérieur des États-Unis doivent être retournés, port payé avec la preuve d'achat (y compris la date d'achat et le numéro de série), à tout centre de service agréé Minn Kota dans le pays de l'achat. Le service au titre de la garantie peut être obtenu en communiquant avec le centre de service agréé de Minn Kota ou l'usine au +1 (800) 227-6433 ou par courriel à l'adresse suivante [service@minnkotamotors.com](mailto:service@minnkotamotors.com). Les produits réparés ou remplacés seront garantis pour la durée restante de la période de garantie initiale [ou pendant 90 jours à compter de la date de réparation ou de remplacement, la période la plus longue étant retenue]. Tout produit retourné aux fins de services en vertu de la garantie qui, selon JOME, n'est pas couvert par la garantie limitée ou n'y contrevient pas sera facturé pour les services rendus au taux horaire de main-d'œuvre affiché en vigueur, pour une facturation minimale d'une heure.

**REMARQUE:** ne pas retourner l'article Minn Kota au détaillant. Le détaillant n'est pas autorisé à le réparer ou à le remplacer.

**IL N'Y A AUCUNE GARANTIE EXPRESSE AUTRE QUE LES PRÉSENTES GARANTIES LIMITÉES. AUCUNE GARANTIE IMPLICITE, Y COMPRIS QUELQUE GARANTIE IMPLICITE DE QUALITÉ MARCHANDE OU D'ADÉQUATION À UN USAGE PARTICULIER, NE SE PROLONGERA AU-DELÀ DE LA DURÉE DE LA PRÉSENTE GARANTIE LIMITÉE EXPRESSE. JOME NE POURRA EN AUCUNE FAÇON ÊTRE TENUE RESPONSABLE DES DOMMAGES PUNITIFS, INDIRECTS, ACCESSOIRES, CONSÉCUTIFS OU PARTICULIERS. Sans limiter la portée de ce qui précède, JOME décline toute responsabilité en cas de perte d'utilisation du produit, perte de temps, d'inconvénient et d'autre dommage.**

Certains états ne permettent pas de limites sur la durée d'une garantie implicite ou l'exclusion ou limitation des dommages accessoires ou indirects, donc, les limitations ou exclusions ci-dessus peuvent ne pas s'appliquer à vous. La présente garantie vous donne des droits légaux spécifiques et vous pouvez également bénéficier d'autres droits qui varient d'un État à l'autre.

# CARACTÉRISTIQUES



Les spécifications sont sujettes à changement sans préavis.

Le schéma est fourni aux fins de référence seulement et peut différer de votre moteur actuel.

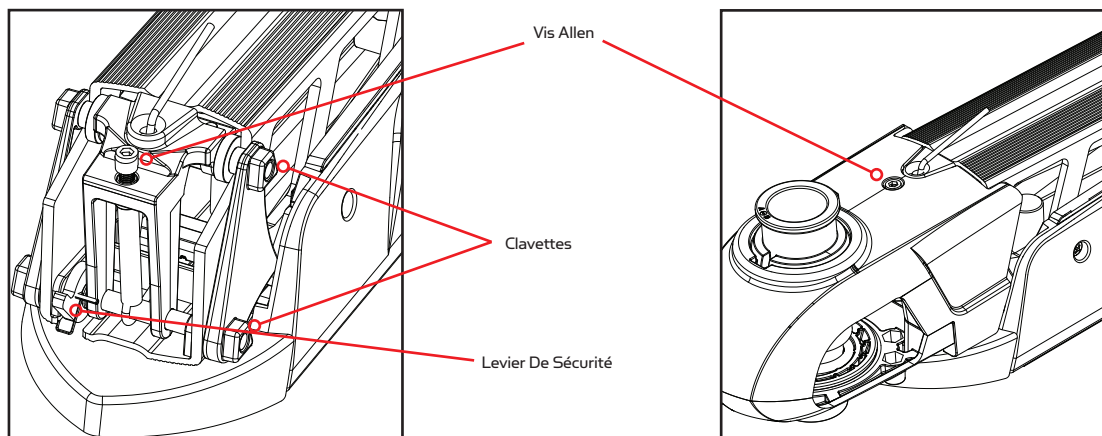
# INSTALLATION DU SUPPORT

## OUTILS ET RESSOURCES NÉCESSAIRES:

- Tournevis Phillips
- Clé Allen de 6,35 mm (1/4")
- Perceuse
- Mèche de 7,144 mm (9/32")
- Clé à oeil de 11 mm (7/16")
- Une deuxième personne pour vous aider avec l'installation

## ASSEMBLAGE DU MOTEUR AU MONTANT

1. Placez le montant sur une surface élevée, un banc de travail ou le hayon d'une camionnette par exemple.
2. Enlevez la vis Allen de 7,93 mm (5/16 po) et la rondelle de sûreté du montant au moyen d'une clé Allen de 6,35 mm (1/4 po).



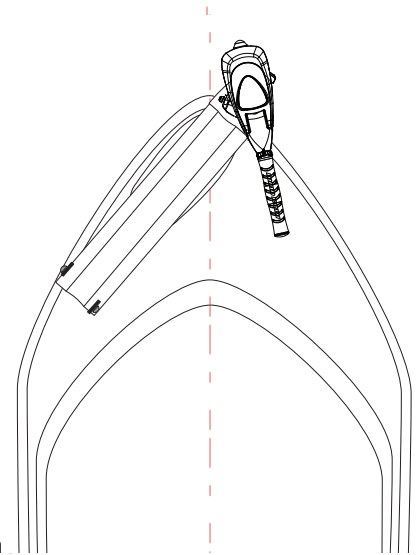
3. Alignez la rainure à l'intérieur du protège poue par rapport aux maillons en bout du montant. Abaissez l'assemblage du moteur tout droit pour l'asseoir.
  4. Installez le 5/16" la vis d'Allen / la machine à laver de serrure et serrez-vous à 10-12 ft/lbs.
  5. Rangez le moteur à plat en tirant la poignée/corde pour débrayer la barre de blocage, permettant ainsi de plier le moteur.
  6. Une fois le moteur à plat, la goupille du vérin pneumatique peut être remontée. Suivez les étapes ci-dessous pour installer cette goupille:
    - Trouvez l'épingle printanière supérieure du gaz dans l'assemblage de sac.
    - Alignez l'extrémité du vérin pneumatique par rapport aux trous du bras externe.
    - Remettez la goupille et la vis cruciforme à tête plate.
    - Serrez la vis jusqu'à ce que sa tête soit au ras du bras externe.
- REMARQUE:** Les vis ont été enduites de colle pour filetage, N'APPLIQUEZ PAS plus de colle pour filetage sur les vis car cela pourrait empêcher de les enlever à l'avenir.
7. L'assemblage de moteur/montant peut maintenant être installé sur le bateau. Continuez à la page suivante pour les instructions de montage.

**ATTENTION:** le 5/16" la vis d'Allen doit être serré quand installé et périodiquement serré à 10-12 ft/lbs (le Pas 4), qui permettra au moteur d'être rangé correctement. Serrez la vis d'Allen quand le mont est dans la position déployée.

## MONTAGE SUR LA PROUE

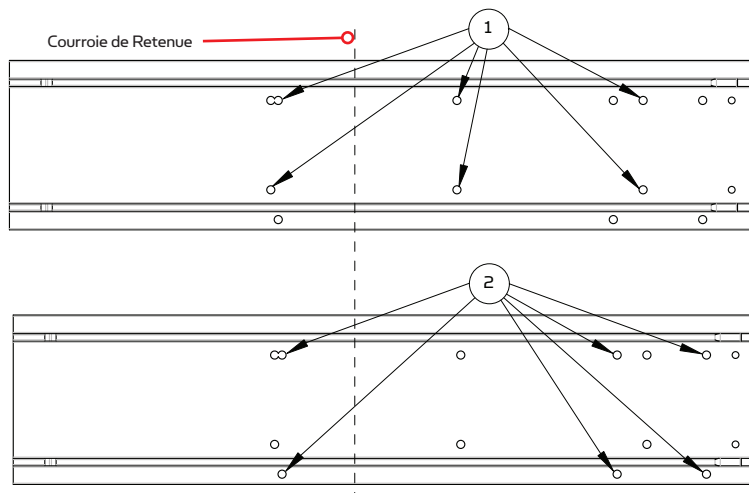
Il est recommandé de se faire assister pour cette procédure.

1. Pour la pose, ne séparez pas l'arbre/moteur du garde-proue Bowguard. **Le ressort du garde-proue est sous tension et doit toujours rester assuré.**
2. Posez le support, le moteur ramené à fond (à plat), sur le pont du bateau:
  - Montez le moteur le plus près possible de l'axe du bateau.
  - Assurez-vous qu'il n'y a pas d'obstacle au perçage dans la zone de la proue située sous l'emplacement choisi.
  - Assurez-vous que le support du moteur est assez loin du bord du bateau. Le moteur ne doit rencontrer aucun obstacle lorsqu'il est abaissé ou remonté.
3. Une fois en position, déterminer quels boulonnage doit être utilisé (voir ci-dessous), marquer au moins 4 des trous (2 de chaque côté) dans la plaque de l'arc et la percer avec une mèche de 9/32 po (7,1 mm). Un ou l'autre modèle peut servir lors de l'installation du moteur.
  - Modèle 1: Modèle de boulons Minnkota 3 po (76,2 mm) pour moteurs standards.
  - Modèle 2: Modèle de boulonnage alternatif de 4 po (101,6 mm) utilisé communém



**REMARQUE:** Si le modèle 2 doit être utilisé, la plaque de droite doit être enlevée pour accéder les trous de fixation de la plaque de l'arc.

4. Installez la bande Velcro entre le moteur et le pont du bateau, entre les deuxième et troisième jeux de trous de montage.



5. Montez la plaque sur la proue par les trous percés au moyen des bou lons de 1/4-20 x 8,89 cm (3-1/2 po), écrous et rondelles fournis.

**REMARQUE:** Si possible, fixez tous les jeux de boulons, écrous et rondelles de montage.

6. Installez le stabilisateur de montant de proue (si compris). voir la section suivante pour se instructions d'installation.

**AVERTISSEMENT:** Le mécanisme de levage assisté dans cette unité est sous HAUTE PRESSION PAR LE RESSORT quand le moteur est en position déployée. N'ENLEVEZ PAS l'assemblage de garde-proue du montant sans décrocher une extrémité du ressort au pas du gaz. Omettre de faire ceci peut créer une condition où tirer accidentellement la corde peut causer l'ouverture brusque du montant, heurtant quiconque ou quoi que se soit se trouvant dans sa course.

### INSTALLER LE STABILISATEUR DU MONTANT DE PROUE (SI COMPRIS)

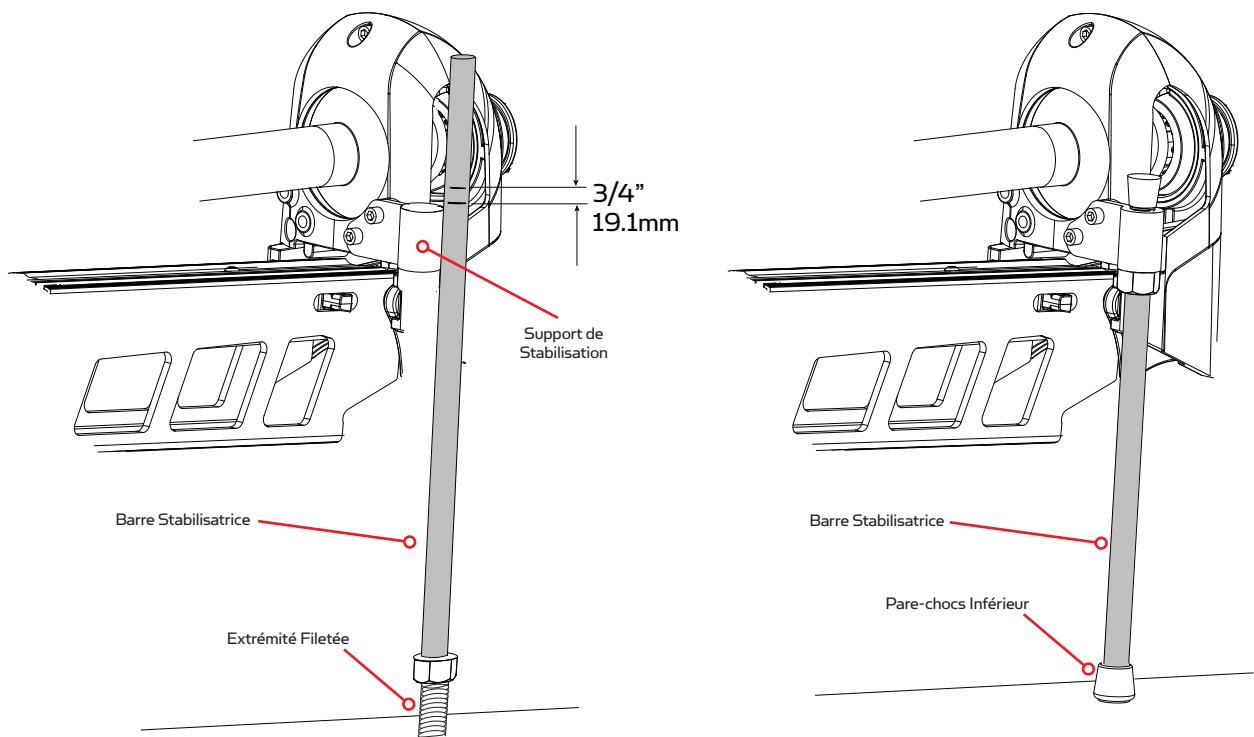
1. Placez le moteur en position rangée.
2. Dévissez la tige de composite du support et fixez le support au bas du protège poue à l'aide des vis Allen de 7,93 mm (5/16 po) et écrous. Les écrous entrent dans des cavités du protège poue derrière le ressort.

**REMARQUE:** Le support peut être installé sur la droite ou la gauche du protège poue.

3. Tirez le butoir pour l'enlever de la tige du stabilisateur et placez la tige près du support comme montré dans la photo.
4. Placez l'extrémité filetée vers le bas sur la surface du pont et marquez la tige à 19,1 mm (fl po) au-dessus du haut du support.
5. Coupez la tige au point marqué et arrondissez le bord coupé avec une lime ou de la toile émeri.
6. Installez le butoir inférieur sur la tige du stabilisateur et vissez la tige dans le support.
7. Réglez la tige de stabilisation de façon à ce que sa pointe touche à peine la surface de support. Voyez la photo cidessus.

**AVERTISSEMENT:** Appuyer la tige fermement contre la surface de support pourrait éliminer le jeu en bout nécessaire pour bien emboîter la goupille, ce qui pourrait empêcher le montant de s'emboîter complètement en position de rangement. Quand elle est bien installée, la pointe de la tige devrait se lever de 6,35 à 12,7 mm (1/4 à 1/2 po) du pont sans décrocher le montant.

8. Une fois réglé, serrez l'écrou de blocage contre le support, ce qui empêchera la tige de tourner.
9. Installez le capuchon supérieur si les filets apparaissent.



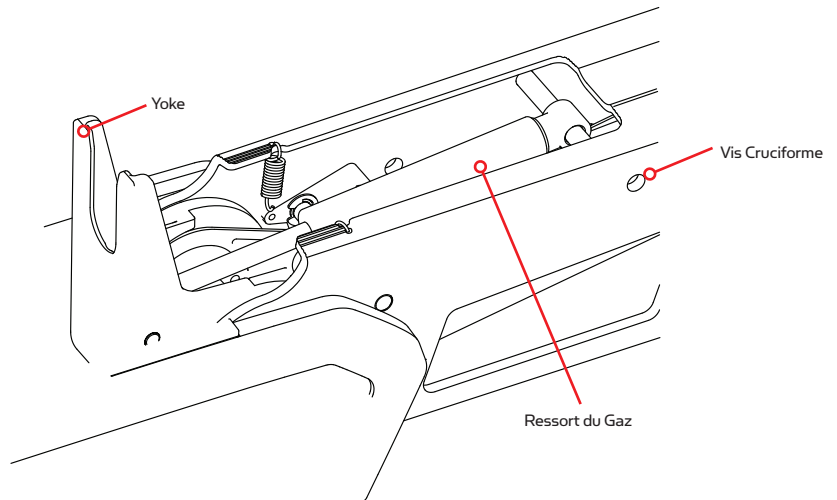
## DÉPOSE DU GARDE-PROUE

**AVERTISSEMENT:** Le mécanisme de levage assisté dans cette unité est sous HAUTE PRESSION PAR LE RESSORT quand le moteur est en position déployée. N'ENLEVEZ PAS l'assemblage de garde-proue du montant sans décrocher une extrémité du ressort au pas du gaz. Omettre de faire ceci peut créer une condition où tirer accidentellement la corde peut causer l'ouverture brusque du montant, heurtant quiconque ou quoi que se soit se trouvant dans sa course.

### A) DÉBRANCHER LE RESSORT À GAZ:

Vous devez déconnecter le ressort à gaz avant de retirer l'assemblage BowGuard du support de moteur. Pour déconnecter les ressorts à gaz, procéder comme suit:

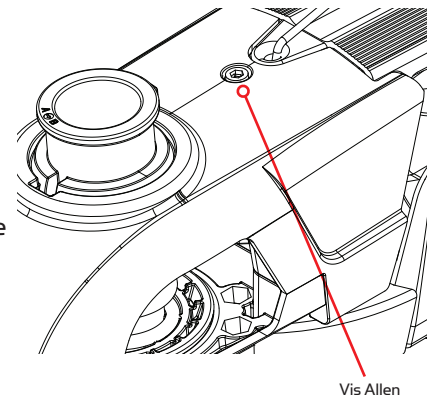
1. Le montant en position rangée, trouvez la goupille du vérin supérieur.
2. À l'aide de deux tournevis cruciformes, enlevez 1 des vis cruciformes à tête plate.
3. Enlevez la goupille du bras externe en la glissant à travers le bras.
4. Vous pouvez maintenant déployer sûrement le moteur et enlever l'assemblage de moteur.



### B) DÉPOSE DU GARDE-PROUE

1. Once you disconnect the gas spring, place the motor in the deployed position.
2. Enlevez la vis Allen de 7,93 mm (5/16 po) et la rondelle de sûreté situées au haut du protège proue, devant la corde.
3. Levez l'assemblage moteur/protège proue tout droit jusqu'à ce que le protège proue soit séparé du montant.

**REMARQUE:** La corde et la barre de blocage ne devraient jamais être tirées quand le moteur est enlevé car l'assemblage est sous GRANDE PRESSION.



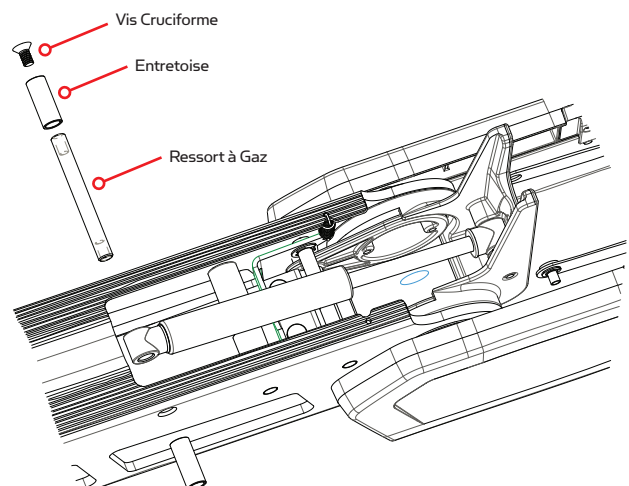
### C) POUR REMONTER GARDE-PROUE

1. Alignez la rainure à l'intérieur du protège proue par rapport aux maillons en bout du montant. Abaissez l'assemblage du moteur tout droit pour l'asseoir. Remettez la vis Allen de 7,93 mm (5/16 po) et la rondelle, puis serrez-les.

2. Reconnecter le ressort à gaz en suivant les étapes ci-dessous:

- Trouvez l'épingle printanière supérieure du gaz dans l'assemblage de sac.
- Alignez l'extrémité du vérin pneumatique par rapport aux trous du bras externe.
- Remettez la goupille et la vis cruciforme à tête plate.
- Serrez la vis jusqu'à ce que sa tête soit au ras du bras externe.

**REMARQUE:** Les vis ont été enduites de colle pour filetage, N'APPLIQUEZ PAS plus de colle pour filetage sur les vis car cela pourrait empêcher de les enlever à l'avenir.



**AVERTISSEMENT: Les pièces mobiles peuvent écraser ou couper. Le mécanisme de levage assisté est sous pression. Débranchez le ressort au pas du gaz avant d'enlever le moteur du montant. Ne tirez pas la corde sans tout d'abord avoir décroché le ressort au pas du gaz.**

# INSTALLATION DES BATTERIES ET DU CÂBLAGE

## GRÉEMENT DE L'EMBARCATION ET INSTALLATION DU PRODUIT

Pour des raisons de sécurité et de conformité, nous vous recommandons de suivre les normes du conseil américain sur les embarcations et les yachts (ABYC) pour le gréement de l'embarcation. Les altérations dans le câblage de l'embarcation devraient être complétées par un technicien de marine qualifié. Les spécifications suivantes sont seulement des lignes directrices générales:

**MISE EN GARDE!** ces lignes directrices s'appliquent au gréement général pour soutenir le moteur de Minn Kota. L'alimentation de multiples moteurs ou d'autres appareils électriques, à partir du même circuit d'alimentation, peut influencer sur le gabarit de conducteurs et le dimensionnement des disjoncteurs recommandé. Pour un fil plus long que celui fourni avec l'appareil, suivre le tableau de dimensionnement de gabarit des conducteurs et des disjoncteurs du tableau ci-dessous. Si la longueur totale de la rallonge est de plus de 25 pi (7,60 m), nous vous recommandons de communiquer avec un technicien maritime qualifié.

**Un dispositif de protection contre la surintensité (disjoncteur ou fusible) doit être utilisé.** Les préalables de la garde côtière exigent que chaque conducteur de courant, qui n'est pas fixé, soit protégé par un fusible ou un disjoncteur qui se réinitialise manuellement et qui ne peut se déclencher automatiquement. Le dimensionnement du type (courant et tension de puissance nominale) de fusible ou de disjoncteur doit être choisi en fonction du propulseur électrique utilisé. Le tableau ci-dessous donne les lignes directrices recommandées pour ce qui est du dimensionnement des disjoncteurs.

### Référence :

Le code des règlements fédéraux des États-Unis : article 183 du titre 33 du CFR - Embarcations et équipements associés ABYC E-11 : systèmes électriques CA et CC sur les embarcations.

## TABLEAU DES DIMENSIONS DE GABARIT DES CONDUCTEURS ET DISJONCTEURS

Modèle / poussée du moteur	Courant Tiré Max	Disjoncteur	Longueur de la Rallonge*				
			1.5 mètres	3 mètres	4.5 mètres	6 mètres	7.5 mètres
30 lb.	30	50 Amp @ 12 VDC	6 mm <sup>2</sup>	6 mm <sup>2</sup>	10 mm <sup>2</sup>	16 mm <sup>2</sup>	25 mm <sup>2</sup>
40 lb., 45 lb.	42		6 mm <sup>2</sup>	10 mm <sup>2</sup>	16 mm <sup>2</sup>	25 mm <sup>2</sup>	25 mm <sup>2</sup>
50 lb., 55 lb.	50	60 Amp @ 12 VDC	10 mm <sup>2</sup>	16 mm <sup>2</sup>	25 mm <sup>2</sup>	25 mm <sup>2</sup>	35 mm <sup>2</sup>
70 lb.	42	50 Amp @ 24 VDC	6 mm <sup>2</sup>	6 mm <sup>2</sup>	10 mm <sup>2</sup>	10 mm <sup>2</sup>	16 mm <sup>2</sup>
80 lb.	56	60 Amp @ 24 VDC	10 mm <sup>2</sup>	10 mm <sup>2</sup>	10 mm <sup>2</sup>	16 mm <sup>2</sup>	16 mm <sup>2</sup>
101 lb.	46	50 Amp @ 36 VDC	10 mm <sup>2</sup>	10 mm <sup>2</sup>	10 mm <sup>2</sup>	10 mm <sup>2</sup>	10 mm <sup>2</sup>
Engine Mount 101	50	60 Amp @ 36 VDC	10 mm <sup>2</sup>	16 mm <sup>2</sup>	25 mm <sup>2</sup>	25 mm <sup>2</sup>	35 mm <sup>2</sup>
112 lb.	52	60 Amp @ 36 VDC	10 mm <sup>2</sup>	10 mm <sup>2</sup>	10 mm <sup>2</sup>	10 mm <sup>2</sup>	10 mm <sup>2</sup>
Engine Mount 160	116	(2) x 60 Amp @ 24 VDC	35 mm <sup>2</sup>	35 mm <sup>2</sup>	35 mm <sup>2</sup>	35 mm <sup>2</sup>	35 mm <sup>2</sup>
E-Drive	40	50 Amp @ 48 VDC	6 mm <sup>2</sup>	6 mm <sup>2</sup>	6 mm <sup>2</sup>	6 mm <sup>2</sup>	6 mm <sup>2</sup>

**Le présent tableau des dimensions de gabarit des conducteurs et disjoncteurs est uniquement valable pour les hypothèses suivantes:**

1. Il n'y a pas plus de 3 conducteurs qui sont regroupés à l'intérieur d'une gaine ou d'un conduit à l'extérieur de l'espace moteur.
2. Chaque conducteur est muni d'un isolant d'une température nominale de 105 °C.
3. Aucune chute de tension de plus de 5 % n'est autorisée lorsque le moteur est à plein régime, en fonction des exigences en matière d'alimentation du produit qui ont été publiées.

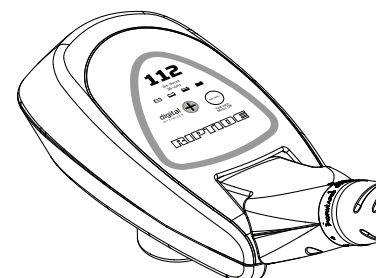
**\*La longueur de la rallonge fait référence à la distance séparant les batteries des fils du propulseur électrique.**

## GABARIT « POUSSOIR D'ESSAI » DE LA BATTERIE

La batterie de ce moteur est munie d'un gabarit « Poussoir d'essai ». La DEL assure un affichage précis de la charge restante dans la batterie. Il est uniquement précis lorsque le moteur est coupé.

Le gabarit se lit comme suit:

- Un voyant indique une recharge.
- Deux voyants indiquent une faible charge.
- Trois voyants indiquent une bonne qualité de charge.
- Quatre voyants indiquent une pleine charge.





## SÉLECTIONNER UNE BATTERIE ADÉQUATE

Le moteur fonctionnera avec toute batterie marine plomb/acide à décharge profonde de 12 volts. Pour un meilleur résultat, utiliser une batterie marine à décharge profonde avec ampérage nominal d'au moins 105 ampères/heure. Selon une estimation générale effectuée sur l'eau, votre moteur de 12 volts utilisera un ampère par heure et votre moteur de 24 volts, 0,75 ampère par heure, pour chaque coup de poussée produite lorsque le moteur tourne à plein régime. L'ampérage réel utilisé est en fonction des conditions environnementales spécifiques et des exigences de fonctionnement. Maintenir la batterie complètement chargée. Un entretien adéquat fera en sorte que le courant sera disponible le moment venu et améliorer considérablement la durée de vie de la batterie. Le fait de ne pas recharger les batteries au plomb (dans les 12 à 24 heures) est la principale cause de défaillance prématurée de celles-ci. Utiliser un chargeur à taux variable afin d'éviter une surcharge. Nous offrons une vaste sélection de chargeurs en fonction de vos besoins. Si vous utilisez une batterie à manivelle pour démarrer un moteur hors-bord à essence, nous vous recommandons d'utiliser des batteries marines à décharge profonde séparées pour votre propulseur électrique Minn Kota.

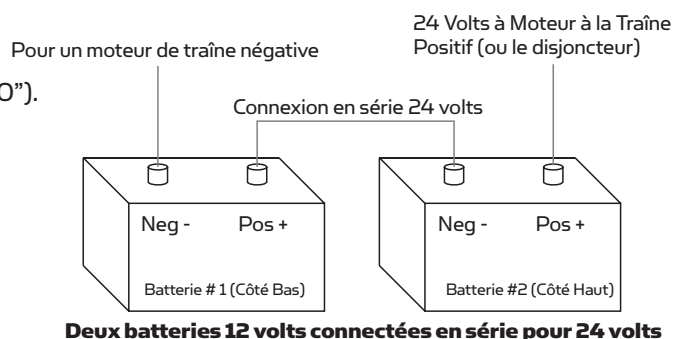
### Conseils concernant les batteries :

- ne jamais brancher les bornes (+) et (-) de la même batterie ensemble. S'assurer qu'aucun objet métallique ne puisse tomber sur la batterie et provoquer un court-circuit aux bornes. Cela provoquerait immédiatement un court-circuit et un risque extrême d'incendie.
- Il est fortement recommandé d'utiliser un disjoncteur ou un fusible avec ce propulseur électrique. Consulter le « Tableau des dimensions de gabarit des conducteurs et disjoncteurs » dans la section précédente pour trouver le disjoncteur ou fusible approprié convenant à votre moteur. Pour les moteurs nécessitant un disjoncteur de 60-A, le disjoncteur Minn Kota MKR-19 60-A est recommandé.

## COMMENT BRANCHER LES BATTERIES

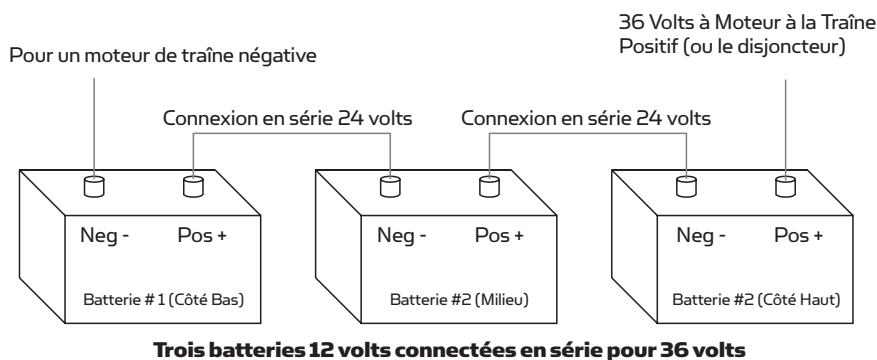
### SYSTÈMES DE 24 VOLTS :

1. Assurez-vous que le moteur est éteint (sélecteur de vitesse sur "0").
2. Deux batteries de 12 volts sont nécessaires.
3. Les batteries doivent être branchées en série, uniquement tel qu'illustré dans le schéma de câblage, afin de fournir 24 volts.
  - a. Branchez un câble de raccordement à la borne positive (+) de la batterie 1 et à la borne négative (-) de la batterie 2.
  - b. Branchez le fil rouge positif (+) à la borne positive (+) sur la batterie 2.
  - c. Branchez le fil noir négatif (-) à la borne négative (-) de la batterie 1.
4. Pour des raisons de sécurité, n'allumez pas le moteur jusqu'à ce que l'hélice soit dans l'eau. Si vous installez un raccordement en fil de plomb, respectez les polarités appropriées et suivez les instructions qui se trouvent dans votre manuel du propriétaire du bateau. Voir le schéma de câblage sur les pages suivantes.



### SYSTÈMES DE 36 VOLTS :

1. Assurez-vous que le moteur est éteint (sélecteur de vitesse sur "0").
2. Trois batteries de 12 volts sont nécessaires.
3. Les batteries doivent être branchées en série, uniquement tel qu'illustré dans le schéma de câblage, afin de fournir 36 volts.
  - a. Branchez un câble de raccordement à la borne positive (+) de la batterie 1 et à la borne négative (-) de la batterie 2. Branchez autre câble de raccordement à la borne positive (+) de la batterie 2 et à la borne négative (-) de la batterie 3.
  - b. Branchez le fil rouge positif (+) à la borne positive (+) sur la batterie 3.
  - c. Branchez le fil noir négatif (-) à la borne négative (-) de la batterie 1.
4. Pour des raisons de sécurité, n'allumez pas le moteur jusqu'à ce que l'hélice soit dans l'eau. Si vous installez un raccordement en fil de plomb, respectez les polarités appropriées et suivez les instructions qui se trouvent dans votre manuel du propriétaire du bateau. Voir le schéma de câblage sur les pages suivantes.

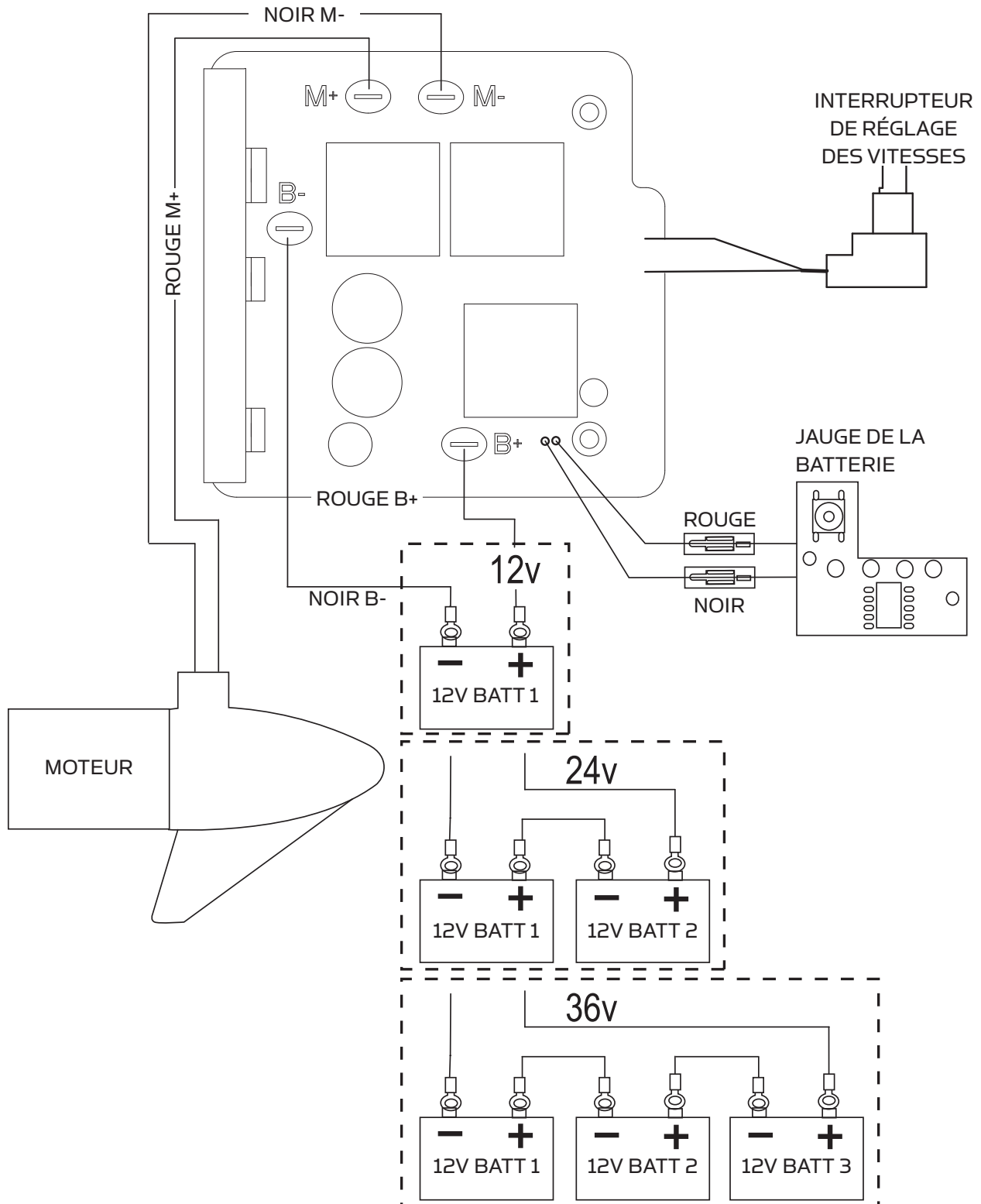


### CAUTION

- Une mauvaise installation du câblage des systèmes de 24/36 volts pourrait provoquer une explosion des batteries!
- Gardez les écrous papillons de raccordement solides et bien serrés autour des bornes de la batterie.
- Installez la batterie dans un compartiment ventilé.
- Pour des raisons de sécurité, débrancher le moteur des batteries lorsque le moteur n'est pas utilisé ou

# SCHÉMA DE CÂBLAGE DU MOTEUR

**REMARQUE:** Il s'agit d'un schéma multi-tensions universel. Vérifier à nouveau la tension du moteur afin de vous assurer que les raccordements sont appropriés. Les dispositifs de protection contre la surintensité ne figurent pas dans cette illustration.



# UTILISATION ET RÉGLAGE DU MOTEUR

## L'ARRIMAGE ET LE DÉPLOIEMENT DU MOTEUR

**AVERTISSEMENT! : Lorsque vous remontez ou abaissez le moteur, gardez vos doigts loin de toutes charnières et points de pivot et de toutes pièces mobiles.**

### CARACTÉRISTIQUES DU SUPPORT

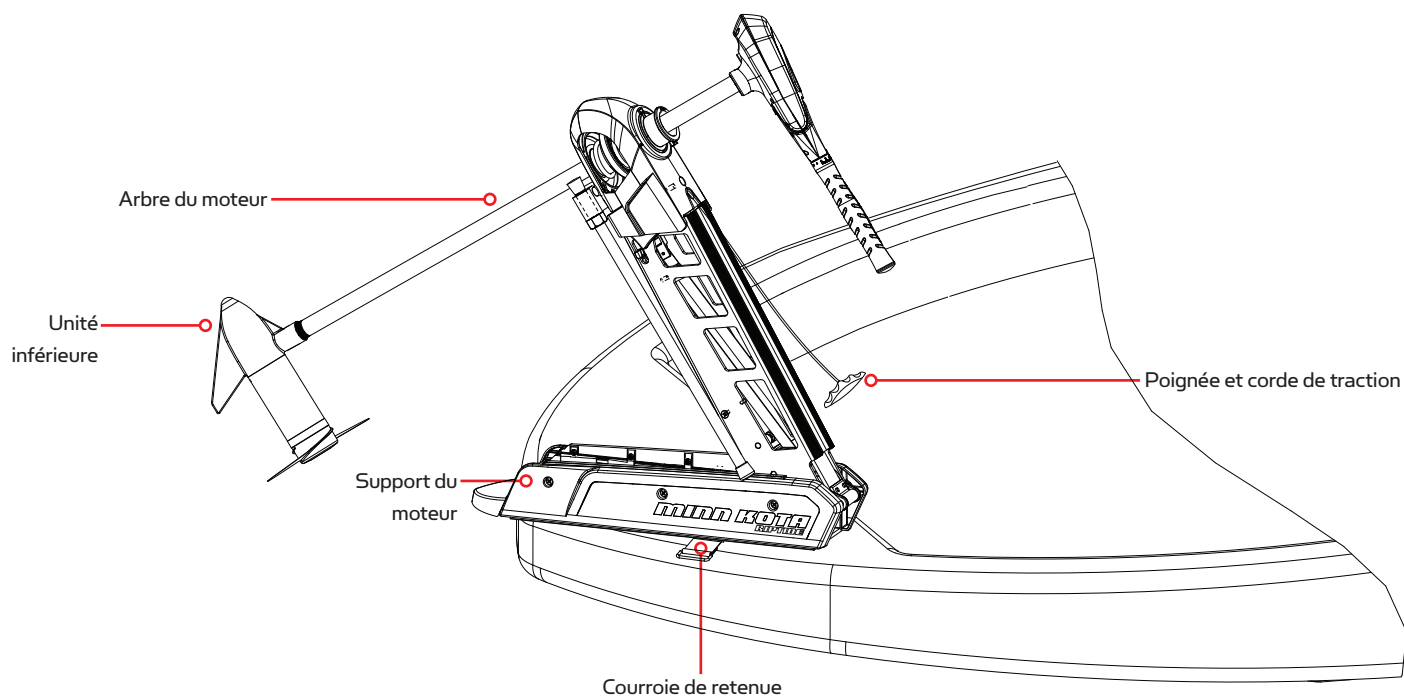
- Le support Edge est conçu pour se replier et verrouiller le moteur à plat sur le pont, lorsqu'il n'est pas utilisé, et pour fournir un arrimage sûr pour le transport.
- La poignée et corde de traction libère la barre de verrouillage, qui s'active automatiquement lorsque l'appareil est abaissé ou élevé en position. La poignée et corde de traction doit être utilisée à la fois pour abaisser et remonter l'appareil.
- Le support du moteur positionne l'appareil inférieur puisqu'il se retrouve en contact avec le nez du support et le guide sur le support du moteur.
- Le verrouillage du tube retient l'arbre du moteur et maintient l'unité inférieure centrée sur le support du moteur.
- La sangle de Velcro doit être utilisée pour faire de la pression sur l'arbre du moteur afin de fixer solidement l'unité inférieure au support du moteur lorsqu'il est arrimé.
- La poignée et corde de traction peut être entreposée en plaçant la poignée de traction dans la fente de rangement de la corde sur le boîtier de commande du moteur.

### POUR DÉPLOYER LE MOTEUR

Vous n'avez qu'à tirer et soulever le moteur hors du support à l'aide de la poignée et corde de traction. Abaissez le moteur dans l'eau en utilisant la poignée et corde de traction. Le moteur va se verrouiller en position déployée automatiquement.

### POUR ARRIMER LE MOTEUR

Vous n'avez qu'à tirer et soulever le moteur hors de l'eau à l'aide de la poignée et corde de traction. Abaissez l'unité inférieure sur le support du moteur à l'aide de la poignée et corde de traction. Le moteur va se verrouiller en position arrimée automatiquement. Enroulez la sangle de Velcro au-dessus du sommet de l'arbre du moteur afin de fixer le moteur.



## RÉGLAGE DE LA PROFONDEUR DU MOTEUR

Au moment du réglage de la profondeur, s'assurer que le dessus du moteur est immergé à au moins 12 po (30,5 cm) afin d'éviter de faire tourbillonner ou d'agiter l'eau à la surface. L'hélice doit être complètement submergée.

1. Saisissez fermement l'arbre du moteur et tenez-le immobile.
2. Desserrez le bouton de serrage du gouvernail.
3. Ouvrez le levier pour desserrer la bague de réglage de la profondeur à dégagement rapide.
4. Réglez à la verticale la hauteur du moteur à la position souhaitée.
5. Réglez la bague de réglage de la profondeur en haut du bouton de serrage du gouvernail, puis fermez le levier pour verrouiller en place la bague de réglage de la profondeur.
6. Serrez le bouton de serrage du gouvernail pour obtenir la tension souhaitée du gouvernail.

**REMARQUE:** La tension de la bague de réglage de la profondeur à dégagement rapide peut être réglée avec un tournevis pour obtenir la sensation appropriée.

### MISE EN GARDE:

- **Ne jamais utiliser le moteur hors de l'eau.**

## RÉGLAGE DE LA DIRECTION

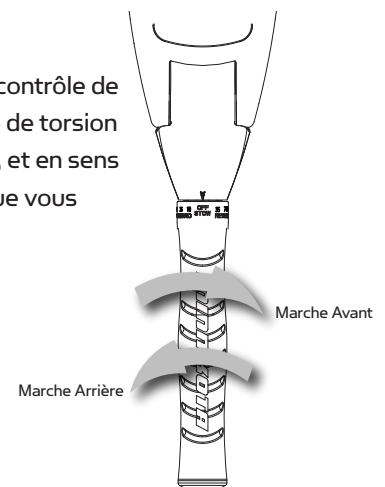
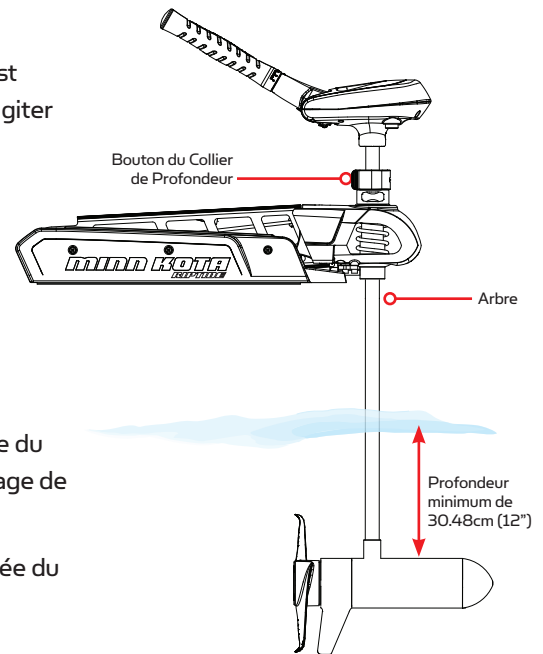
- Régler le bouton de tension de la direction afin de fournir une tension suffisante visant à permettre au moteur de tourner librement, quelle que soit sa position sans rupture.

OU

- Serrer le bouton pour mettre le moteur dans une position prédéfinie et avoir les mains libres pour la pêche.

## CONTRÔLE DE VITESSE ET DIRECTION AVEC LE TILLER

Ces moteurs permet d'obtenir une vitesse variable en marche avant et en marche arrière. Le contrôle de vitesse s'opère dans les deux sens, en marche avant ou arrière. Tournez la poignée de la barre de torsion et d'inclinaison en sens antihoraire de 0 (arrêt), afin d'augmenter la vitesse en marche arrière, et en sens horaire de 0 (arrêt) afin d'augmenter la vitesse en marche avant. Vitesse diminuée à mesure que vous approchez de 0 dans les deux sens.



## RÉGLAGE DE LA BARRE D'INCLINAISON / D'EXTENSION TILLER

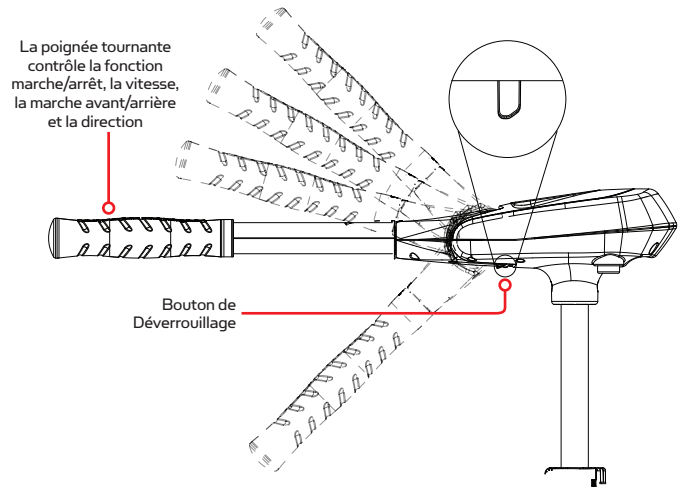
Votre moteur de pêche à la traîne dispose d'une poignée permettant 7 positions d'inclinaison: De 45°, 30° et 15° vers le haut et le bas à part de la position (horizontale) de 0°. Pour utiliser les positions vers le bas, vous devez tout d'abord appuyer sur le bouton de déverrouillage situé sur la partie inférieure à gauche de la poignée de pivot.

La poignée de votre moteur de pêche à la traîne dispose également d'une position d'arrimage unique, qui est utile pour limiter la quantité d'espace requis pour l'entreposage ou le transport.

**IMPORTANT: AVANT de tenter de mettre la poignée en position d'arrimage, le sélecteur de vitesse doit être réglé à la position ARRÊT/ARRIMAGE. Ne pas procéder ainsi endommagera le mécanisme interne.**

Appuyez d'abord sur le bouton de déverrouillage situé sur la partie inférieure à gauche de la poignée de pivot, puis poussez la poignée vers le bas jusqu'à ce que vous sentiez la poignée « verrouillée » en position d'arrimage. Ce sera presque parallèle à l'arbre du moteur.

Pour allonger la poignée, tirez la poignée vers vous jusqu'à la position désirée. La poignée s'allongera d'un bon 15,24 cm (6"). Pour rétracter, poussez la poignée jusqu'à ce qu'elle atteigne l'avant de la tête de contrôle du moteur.



# SERVICE ET ENTRETIEN

## REPLACEMENT DE L'HÉLICE

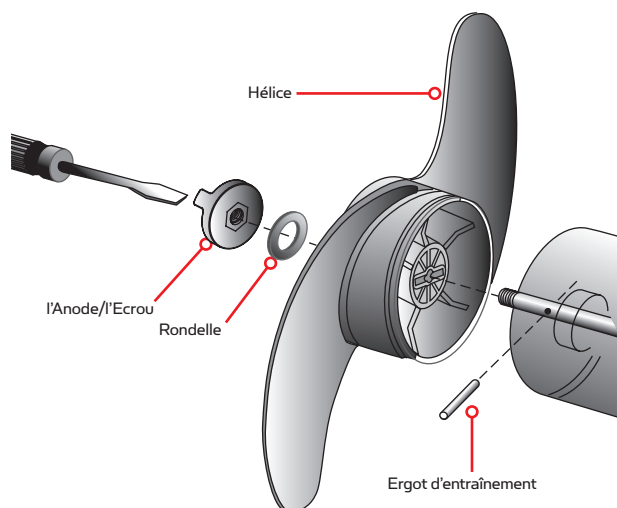
### OUTILS ET RESSOURCES NÉCESSAIRES:

- Clé à oeil
  - 12.5mm pour les moteurs à £ 70 ou moins poussée.
  - 14.2875 mm pour les moteurs à poussée £ 80 ou plus)
- Tournevis (facultatif)

### MISE EN GARDE:

**Débrancher le moteur de la batterie avant d'effectuer tout travail ou entretien sur l'hélice.**

**NOTE:** L'hélice sur votre moteur peut différer de celui illustré.



1. Débrancher le moteur de toute source d'alimentation avant de changer l'hélice.
2. Tenir l'hélice, puis desserrer anode/écrou à l'aide d'une pince ou d'une clé.
3. Retirer l'anode/l'écrou et la rondelle de l'hélice. Si l'ergot d'entraînement est cisailé ou cassé, tenir l'arbre stable à l'aide d'une lame de tournevis enfoncée dans la fente à l'extrémité de l'arbre.
4. Tourner la vieille hélice à l'horizontale (comme illustré), puis la retirer à la verticale. Si l'ergot d'entraînement tombe, le repousser à l'intérieur.
5. Aligner la nouvelle hélice avec l'ergot d'entraînement.
6. Installer la rondelle et anode/l'écrou.
7. Serrer l'hélice l'anode/l'écrou 1/4 de tour de plus que le serrage initial [25 à 35 lb/po, 2,8 à 4 J]. Ne pas trop serrer, car cela peut endommager l'hélice.

## ENTRETIEN GÉNÉRAL

- Après chaque utilisation, le moteur en entier doit être rincé à l'eau douce, puis essuyé avec un chiffon humidifié avec un spray de silicone à base aqueuse. Ne pas pulvériser de l'eau dans les ouvertures de ventilation dans la tête du moteur.
- L'arbre composite nécessite un nettoyage périodique et de lubrification pour le retrait et le déploiement approprié. Un revêtement d'une pulvérisation aqueuse à base de silicone va améliorer le fonctionnement.
- L'hélice doit être inspectée et exempte d'herbe et de ligne de pêche, après chaque utilisation. Les lignes de pêche et les herbes peuvent se nicher derrière l'hélice, abîmer les joints et laisser l'eau pénétrer dans le moteur.
- Chaque fois que le moteur est utilisé, s'assurer que l'écrou de l'hélice est fixé solidement.
- Afin de prévenir les dommages accidentels, pendant le transport ou l'entreposage, débrancher la batterie lorsque le moteur est hors de l'eau.
- Pour un entreposage prolongé, enduire légèrement toutes les parties métalliques d'un protecteur aqueux à base de silicone.
- Pour une durée de vie maximale de la batterie, recharger les batteries dès que possible après utilisation. Pour une performance maximale du moteur, recharger la batterie complètement avant utilisation (plomb/acide seulement).
- Garder les bornes de la batterie propres à l'aide d'un papier de verre fin ou d'une toile d'émeri.
- L'hélice est conçue pour assurer un fonctionnement optimal et un niveau d'efficacité très élevé. Pour maintenir ce haut rendement, le bord d'attaque des pales doit être gardé lisse. S'il est rugueux ou ébréché en raison de l'utilisation, le rendre lisse à nouveau à l'aide de papier de verre fin.

# DÉPANNAGE ET RÉPARATION

---

1. Le moteur ne tourne pas ou manque de puissance:
  - Vérifier si la polarité des raccordements de batterie a été respectée.
  - S'assurer que les bornes sont propres et exemptes de corrosion. Garder les bornes de la batterie propres à l'aide d'un papier de verre fin ou d'une toile d'émeri.
  - Vérifier le niveau d'eau de la batterie. Ajouter de l'eau, le cas échéant.
2. Le moteur baisse en puissance peu après son démarrage:
  - Vérifier la charge de la batterie. Si le niveau est bas, la remettre à pleine charge.
3. Le moteur est difficile à diriger:
  - Desserrer le bouton de tension de pilotage sur le support.
  - Lubrifier l'arbre composite.
4. Si l'hélice vibre en cours de fonctionnement normal:
  - Retirer, puis faire pivoter l'hélice à 180°. Voir les directives pour le retrait dans la section portant sur le remplacement de l'hélice.
5. Votre sondeur fait l'objet d'interférences:
  - Dans certaines applications, de l'interférence à l'écran de l'échosondeur pourra survenir. Nous recommandons qu'une batterie marine à décharge profonde séparée soit utilisée pour votre propulseur électrique et que l'échosondeur soit alimenté à l'aide d'une batterie de démarrage/à manivelle. Si les problèmes persistent, communiquer avec le service technique au +1 (800) 227-6433.

**REMARQUE:** Pour tout défaut de fonctionnement, visiter un centre de service agréé. Pour un centre de service agréé dans la région, consulter la liste de nos centres de service agréés sur le site Web [minnkotamotors.com](http://minnkotamotors.com) ou communiquer avec notre service à la clientèle au +1 (800) 227-6433.

## POUR D'AUTRES SERVICES DE DÉPANNAGE ET DE RÉPARATION

Nous offrons plusieurs options de dépannage et/ou de réparation pour le produit. Veuillez parcourir les options énumérées ci-dessous.



### FOIRE AUX QUESTIONS

Notre site Web présente FAQ visant à répondre à toutes vos questions au sujet des produits Minn Kota. Veuillez visiter le site Web [minnkotamotors.com](http://minnkotamotors.com), puis cliquer sur « Foire aux questions » pour trouver réponse à vos questions.



### COMMUNIQUEZ AVEC NOUS (POUR LES ÉTATS-UNIS ET LE CANADA)

Nos représentants du service à la clientèle sont disponibles du lundi au vendredi, de 7 h 00 à 16 h 30 (HNC), au +1 (800) 227-6433. Pour commander des pièces, veuillez avoir sous la main le numéro de série à 11 chiffres du produit, les numéros des pièces nécessaires et les renseignements relatifs à la carte de crédit. Vous économiserez ainsi du temps pour un service à la clientèle de qualité supérieure. Vous pouvez consulter la liste de votre manuel pour obtenir les numéros exacts de pièce.



### ENVOYEZ-NOUS UN COURRIEL

Envoyez-nous un courriel pour transmettre à notre service à la clientèle vos questions au sujet des produits Minn Kota. Pour transmettre votre question par courriel, visitez le site Web [minnkotamotors.com](http://minnkotamotors.com), puis cliquer sur « Nous contacter ».



### CENTRES DE SERVICE AGRÉÉS

On compte plus de 300 centres de service agréés Minn Kota aux États-Unis et au Canada pour acheter des pièces et faire réparer vos produits. Veuillez consulter la page Web pour la liste des centres de service agréés et trouver un centre de service dans votre région.

# DÉCLARATION DE CONFORMITÉ

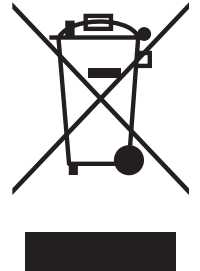
## DÉCLARATION DE CONFORMITÉ ENVIRONNEMENTALE

Il est dans l'intention de JOME d'être une entreprise citoyenne responsable, dont l'exploitation est conforme à la réglementation environnementale en vigueur et qui est connue pour être un bon voisin dans les collectivités où nous fabriquons ou vendons nos produits.

### DIRECTIVE DEEEE:

La directive européenne 2002/96/CE « Directive concernant les déchets d'équipements électriques et électroniques (DEEE) » a un impact sur la plupart des distributeurs, vendeurs et fabricants d'électronique pour le grand public au sein de l'Union européenne. La directive DEEE exige que le producteur d'électronique pour le grand public prenne une part de responsabilité, en ce qui concerne la gestion des déchets de leurs produits, afin d'atteindre une élimination écologique, et ce, tout au long du cycle de vie du produit.

Il se peut que, selon votre emplacement, vous ne soyez pas tenu (e) de vous conformer à la directive DEEE pour ce qui est des équipements électriques et électroniques (EEE), et il se peut qu'il en soit de même pour les EEE conçus et destinés à être utilisés comme installations fixes ou temporaires dans les véhicules de transport tels que les voitures, les avions et les bateaux. Dans certains États de l'Union européenne, ces véhicules sont réputés ne pas relever de la directive, et les EEE, pour ces applications peuvent être considérés comme exclus de l'exigence de la directive DEEE.



Ce symbole (DEEE poubelle sur roues) sur le produit indique que ce dernier ne doit pas être jeté avec les déchets domestiques. Il doit être éliminé et collecté pour le recyclage et la récupération des DEEE. Johnson Outdoors Inc. marquera tous les produits EEE en conformité avec la directive DEEE. C'est notre but de nous conformer à la collecte, au traitement, à la récupération et à l'élimination écologique judicieuse de ces produits, mais ces exigences varient au sein des différents États membres de l'Union européenne. Pour de l'information supplémentaire sur l'endroit où vous pouvez éliminer les équipements usagés pour leur recyclage et leur récupération et/ou selon les exigences particulières de l'État membre de l'Union européenne, veuillez communiquer avec le détaillant ou le distributeur duquel vous avez acheté le produit.

### ÉLIMINATION:

Les moteurs Minn Kota ne sont pas soumis à la réglementation concernant l'élimination VGE-VO (directive pour les dispositifs électriques), qui transpose la directive DEEE. Néanmoins, ne jamais jeter le moteur Minn Kota dans une poubelle, mais plutôt à l'endroit approprié où s'effectue la collecte, recommandé par le conseil municipal local.

Ne jamais jeter aucune batterie à la poubelle. Se conformer aux directives d'élimination du fabricant ou de son représentant et la jeter à l'endroit approprié où s'effectue la collecte, recommandé par le conseil municipal local.

**AVERTISSEMENT: Ce produit contient des produits chimiques reconnus par l'État de la Californie comme causant le cancer, des anomalies congénitales ou d'autres effets nocifs sur la reproduction.**





# ACCESSOIRES RECOMMANDÉS

## CHARGEURS DE BATTERIE EMBARQUÉS ET PORTATIFS

**Ne plus acheter de nouvelles batteries et commencer à prendre soin de celles déjà en votre possession.** Plusieurs chargeurs peuvent en fait endommager les batteries à la longue, pouvant entraîner une autonomie réduite et une durée de vie plus courte. Les chargeurs Minn Kota à commande numérique assurent une charge rapide pour une protection et une durée de vie prolongée.



MK345PC



MK210D



MK110P

## ANCRE POUR EAUX PEU PROFONDES TALON

Les ancrs Talon se déploient rapidement, ont une force de retenue plus élevée et sont plus silencieuses que tout autre ancre pour eaux peu profondes. Offerts en profondeurs allant jusqu'à 12 pi (3,66 m) et en options de couleurs vives, elles comportent plusieurs fonctionnalités et innovations uniques dans le domaine:



- Déploiement Vertical en Plusieurs Étapes
- Modes D'ancrage Pouvant être Sélectionnés par L'utilisateur
- 2x la Force d'ancrage
- Déploiement Rapide
- Descente/Montée Automatique
- Triple Protection Contre les Débris
- Amortisseur Automatique de Vague Intégré
- Dissipation de Bruit
- Réglages Polyvalents

## ACCESSOIRES MINN KOTA

Nous offrons un large éventail d'accessoires pour les propulseurs électriques, y compris:



- Un Disjoncteur de 60 A
- Des Supports de Montage
- Des Ensembles Stabilisateur
- Des Rallonges de Poignée
- Des connecteurs de batterie
- Bacs à Batterie
- Des fiches de connexion rapide

**Pour la liste complète des accessoires Minn Kota, veuillez visiter le site Web [minnkotamotors.com](http://minnkotamotors.com)**

Suivez-nous:



[minnkotamotors.com](http://minnkotamotors.com)

Minn Kota Consumer & Technical Service  
Johnson Outdoors Marine Electronics, Inc.  
PO Box 8129  
Mankato, MN 56001

121 Power Drive  
Mankato, MN 56001  
Phone (800) 227-6433  
Fax (800) 527-4464



©2015 Johnson Outdoors Marine Electronics, Inc.  
All rights reserved.