

COTEK



Parallel connection generates
“More power !!”



SD Series

2500/3500W Pure Sine Wave Inverter

- ★ **Powerful function** - Capacity expansion with parallel function
 - ★ **Robust** - High reliability design
 - ★ **Excellent performance** - Full input/output protection with stable output performance
 - ★ **Convenience** - Compact size and easy operation
-



Extend
your enjoyable time!

User Benefits



Wide input DC voltage range (10~16V)

Fulfill major user applications, and accommodate extreme conditions, such as high altitude or high voltage alternator



Safe and reliable operations

Easy installation and cable wiring will save the system installation cost



Parallel power design

Easy capacity expansion with parallel function (N+1, N=14)



Full protection

- Input & output isolation : product safety
- Battery protection : longer battery life
- Output protection : protect customer devices



User-friendly interface

Optimized I/O sockets, user friendly interface



Power saving mode selectable

To save energy under different user scenarios



Output AC voltage selectable

Suitable for different output voltage regions



Bypass function

Built in ATS and AC circuit breaker could ensure the safety of AC grid power loop through



Automatic master mechanism

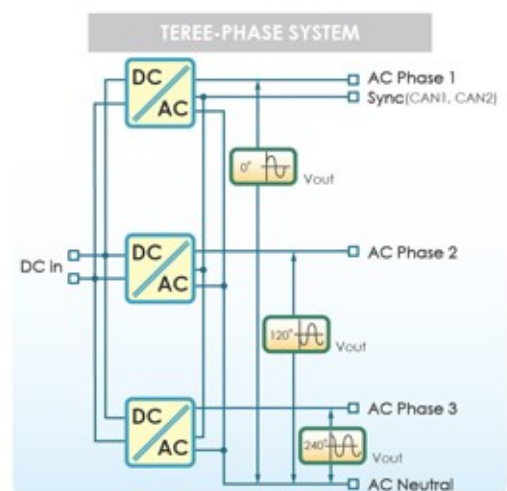
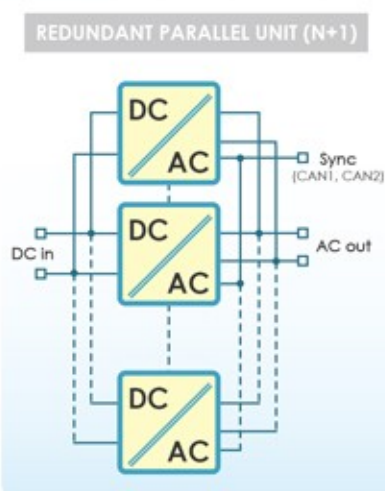
- Eliminate single point failure and optimize reliability
- Free from complicated setup in parallel condition



Multiple industrial applications

Suitable for commercial & industrial applications (1Φ3W / 3Φ4W power systems)

More Power — Redundant Parallel Connection



Specification



SD2500



Model		SD2500-112	SD2500-124	SD2500-148	SD2500-212	SD2500-224	SD2500-248
Output	Rating Power	2500W (de-rating after 40°C, refer to de-rating curve)					
	Peak Power (3 Sec.)	3000W					
	Surge Power (<0.2 Sec.)	4000W					
	Waveform	Pure Sine Wave					
	Efficiency (Max.)	88%	89%	90%	88%	88%	90%
	Output Voltage (@rated VDC)	100 / 110 / 115 / 120 VAC ± 3%			200 / 220 / 230 / 240 VAC ± 3%		
	Output Frequency	50 / 60 Hz ± 0.1%					
Total Harmonic Distortion (THD)	< 3% @ under condition : greater than 1.15 times of the rated VDC, 110V / linear load)			< 3% @ under condition : greater than 1.15 times of the rated VDC, 230V / linear load)			
DC Input	DC Voltage	12VDC	24VDC	48VDC	12VDC	24VDC	48VDC
	Voltage Range	10.0~16.0VDC	20.0~32.0VDC	40.0~64.0VDC	10.0~16.0VDC	20.0~32.0VDC	40.0~64.0VDC
	No Load Power Consumption	@ 12VDC	@ 24VDC	@ 48VDC	@ 12VDC	@ 24VDC	@ 48VDC
	On Mode @ Save Mode	0.9A	0.35A	0.3A	1.1A	0.7A	0.4A
	On Mode @ No Load Mode	< 2.9A	< 1.4A	< 0.8A	< 3.6A	< 1.8A	< 1A
	Fuse	40Ax9	20Ax9	15Ax6	40Ax9	20Ax9	15Ax6
AC Input	AC Range	100 / 110 / 115 / 120 VAC ± 25%, recover ± 12.5%			200 / 220 / 230 / 240 VAC ± 25%, recover ± 12.5%		
	Frequency Selectable	50 / 60 Hz					
	Synchronous Frequency	47-57 / 53-63 Hz					
	Circuit Breaker	35A			20A		
	Transfer Switch	Optional STS mode : <4ms. Standard ATS : Inverter to utility AC : 8~10ms.; Utility AC to inverter : 16~50ms.					
Protection	BAT. Low Alarm ± 3%	10.5VDC	21.0VDC	42.0VDC	10.5VDC	21.0VDC	42.0VDC
	BAT. Low Shutdown ± 3%	10.0VDC	20.0VDC	40.0VDC	10.0VDC	20.0VDC	40.0VDC
	BAT. Low Restart ± 3%	12.5VDC	25.0VDC	50.0VDC	12.5VDC	25.0VDC	50.0VDC
	BAT. High Alarm ± 3%	15.5VDC	31.0VDC	62.0VDC	15.5VDC	31.0VDC	62.0VDC
	BAT. High Shutdown ± 3%	16.0VDC	32.0VDC	64.0VDC	16.0VDC	32.0VDC	64.0VDC
	BAT. High Restart ± 3%	15.0VDC	30.0VDC	60.0VDC	15.0VDC	30.0VDC	60.0VDC
	Input Protection	Reverse Polarity (Fuse) / Under Voltage / Over Voltage / AC over current (Breaker)					
	Output Protection	Short Circuit / Overload / Over Temperature / Over Voltage					
Environment	Working Temp.	-20 ~ +60°C; refer to SD2500 power de-rating curve					
	Storage Temp.	-40 ~ +70°C					
	Relative Humidity	Max. 90%, non-condensing					
Safety & EMC	Safety Standards	Certified UL 458 (UL only for hard wire)		--	Certified EN60950-1		
	EMC Standards	Certified FCC Class B			Certified EN55014-1 ^① ; EN55014-2 ^① EN61000-3-2, -3-3; EN61204-3 EN61000-6-1, -6-2, -6-3, -6-4 IEC 61000-4-2, 3, 4, 5, 6, 11		
	E-Mark	--			Certified CISPR 25; ISO 7637-2		
Control & Signal	LED Indicator	Input voltage level, faulty status					
	Remote Control (Optional)	CR-6, CR-8 and CR-10					
Other Information	Dimension (WxHxD)	283x128x436 mm / 11.14x5.04x17.17 inch					
	Packing	8kg; 2pcs / 17kg / 2.86 CUFT					
	Cooling	Load & Thermal control fan					
	Communication Port	RS-232 (RJ-11 type connector), Ethernet (Optional)					

① EN 55014-1, EN 55014-2 Class B: output cable less than 2 meters.

SD3500



Model		SD3500-112	SD3500-124	SD3500-148	SD3500-212	SD3500-224	SD3500-248
Output	Rating Power	3500W (de-rating after 35°C, refer to de-rating curve for 12V) (de-rating after 40°C, refer to de-rating curve for 24V and 48V)					
	Peak Power (3 Sec.)	4500W					
	Surge Power (<0.2 Sec.)	6000W					
	Waveform	Pure Sine Wave					
	Efficiency (Max.)	90%	90%	91%	90%	91%	91%
	Output Voltage (@rated VDC)	100 / 110 / 115 / 120 VAC ± 3%			200 / 220 / 230 / 240 VAC ± 3%		
	Output Frequency	50 / 60 Hz ± 0.1%					
	Total Harmonic Distortion (THD)	< 3% @ under condition : greater than 1.15 times of the rated VDC, 110V / linear load)			< 3% @ under condition : greater than 1.15 times of the rated VDC, 230V / linear load)		
DC Input	DC Voltage	12VDC	24VDC	48VDC	12VDC	24VDC	48VDC
	Voltage Range	10.0~16.0VDC	20.0~32.0VDC	40.0~64.0VDC	10.0~16.0VDC	20.0~32.0VDC	40.0~64.0VDC
	No Load Power Consumption	@ 12VDC	@ 24VDC	@ 48VDC	@ 12VDC	@ 24VDC	@ 48VDC
	On Mode @ Save Mode	1.4A	0.5A	0.5A	1.4A	0.5A	0.5A
	On Mode @ No Load Mode	< 2.9A	< 1.4A	< 0.8A	< 3.6A	< 1.8A	< 1A
	Fuse	40Ax12	20Ax12	20Ax6	40Ax12	20Ax12	20Ax6
AC Input	AC Range	100 / 110 / 115 / 120 VAC ± 25%, recover ± 12.5%			200 / 220 / 230 / 240 VAC ± 25%, recover ± 12.5%		
	Frequency Selectable	50 / 60 Hz					
	Synchronous Frequency	47-57 / 53-63 Hz					
	Circuit Breaker	35A			20A		
	Transfer Switch	Optional STS mode : <4ms. Standard ATS : Inverter to utility AC : 8~10ms.; Utility AC to inverter : 16~50ms.					
Protection	BAT. Low Alarm ± 3%	10.5VDC	21.0VDC	42.0VDC	10.5VDC	21.0VDC	42.0VDC
	BAT. Low Shutdown ± 3%	10.0VDC	20.0VDC	40.0VDC	10.0VDC	20.0VDC	40.0VDC
	BAT. Low Restart ± 3%	12.5VDC	25.0VDC	50.0VDC	12.5VDC	25.0VDC	50.0VDC
	BAT. High Alarm ± 3%	15.5VDC	31.0VDC	62.0VDC	15.5VDC	31.0VDC	62.0VDC
	BAT. High Shutdown ± 3%	16.0VDC	32.0VDC	64.0VDC	16.0VDC	32.0VDC	64.0VDC
	BAT. High Restart ± 3%	15.0VDC	30.0VDC	60.0VDC	15.0VDC	30.0VDC	60.0VDC
	Input Protection	Reverse Polarity (Fuse) / Under Voltage / Over Voltage / AC over current (Breaker)					
	Output Protection	Short Circuit / Overload / Over Temperature / Over Voltage					
Environment	Working Temp.	-20 ~ +60°C; refer to SD3500 power de-rating curve					
	Storage Temp.	-40 ~ +70°C					
	Relative Humidity	Max. 90%, non-condensing					
Safety & EMC	Safety Standards	Certified UL 458 (UL only for hard wire)		--	Certified EN60950-1		
	EMC Standards	Certified FCC Class B			Certified EN55014-1 ^① ; EN55014-2 ^① EN61000-3-2, -3-3; EN61204-3 EN61000-6-1, -6-2, -6-3, -6-4 IEC 61000-4-2, 3, 4, 5, 6, 11		
	E-Mark	--			Certified CISPR 25; ISO 7637-2		
Control & Signal	LED Indicator	Input voltage level, faulty status					
	Remote Control (Optional)	CR-6, CR-8 and CR-10					
Other Information	Dimension (WxHxD)	283x128x496 mm / 11.14x5.04x19.53 inch					
	Packing	10kg; 2pcs / 21kg / 3.19 CUFT					
	Cooling	Load & Thermal control fan					
	Communication Port	RS-232 (RJ-11 type connector), Ethernet (Optional)					

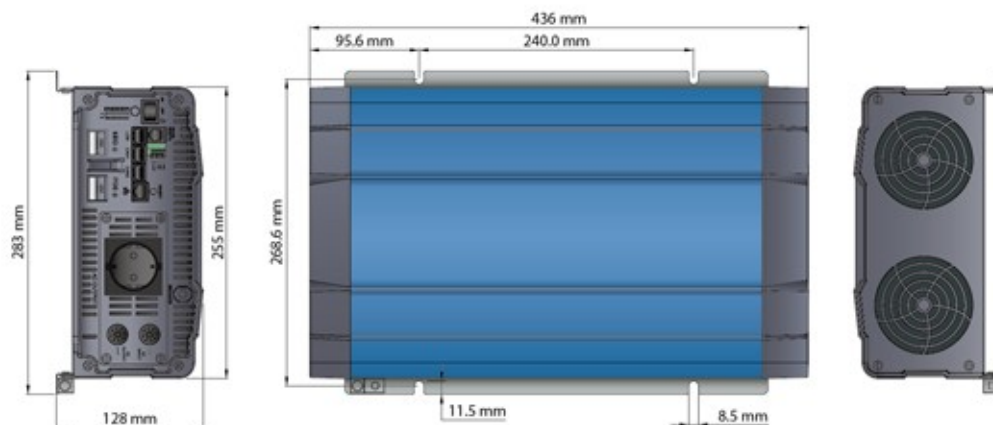
SD Series Accessories • Standard-User manual/Accessories • Optional-Remote control/Ethernet module/STS module • Subject to change without prior notice

① EN 55014-1, EN 55014-2 Class B: output cable less than 2 meters.

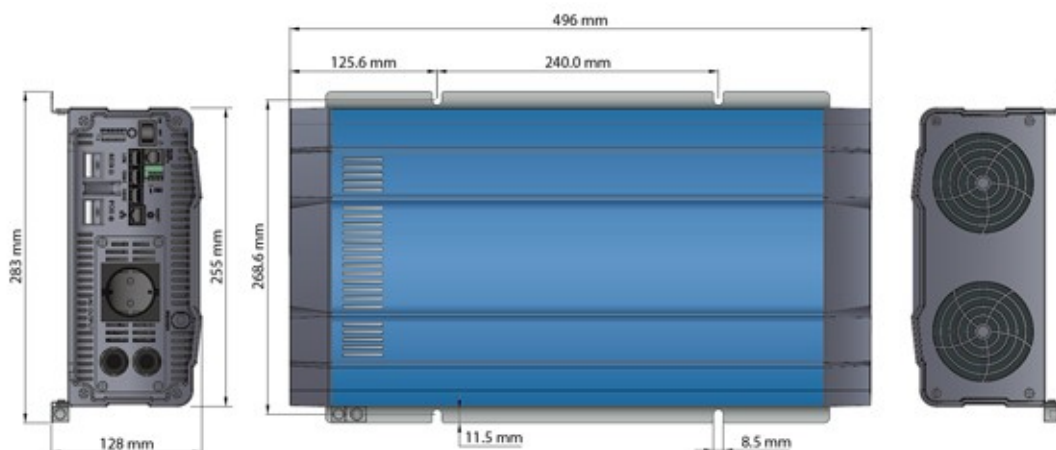


Dimension

SD2500



SD3500



About COTEK



COTEK is committed to providing proactive service, innovative technology and total quality assurance since we were established in 1986. With Corporate Offices in Tao-yuan, Taiwan, COTEK is a technology-oriented company focusing on developing, designing and manufacturing products including:

- DC/AC Pure Sine Wave inverter-150 Watts ~ 4,000 Watts
- Inverter/Charger
- Battery Charger
- AC/DC Switching Mode Power Supply-5 Watts ~ 3,000 Watts
- LED Driver

Contact Us

No.33, Sec. 2, Renhe Rd., Daxi Dist., Taoyuan City 33548, Taiwan
Phone : +886-3-3891999 FAX : +886-3-3802333
[http : // www.cotek.com.tw](http://www.cotek.com.tw)

