



TrueConnect™ - 5 Watt Attenuator

Model No: AT5/X/YYY

5 Watt Attenuator
[DC-3,000 MHz]

DESCRIPTION:

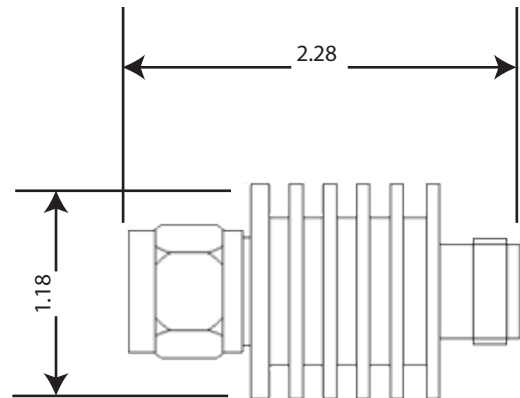
Coaxial fixed attenuators are used to absorb energy within the transmission line, expanding the power range and controlling the power level



| Specifications | |
|---------------------------|---------------|
| Power (W) | 5 |
| Frequency (GHz) | DC-3.0 |
| VSWR | ≤1.20:1 |
| Attenuation (dB) | See Chart |
| Accuracy (dB) | See Chart |
| Impedance (Ω) | 50 |
| Operating temperature (F) | -67 to 185 °C |
| Weight (lbs) | 0.3 |
| Dimensions (in) | Φ1.18 X 2.28 |

Attenuation OPTIONS:

| X | Attenuation Value | Accuracy (dB) |
|----|-------------------|---------------|
| 3 | 3 dB | ≤0.3 |
| 6 | 6 dB | ≤0.5 |
| 10 | 10 dB | ≤0.7 |
| 20 | 20 dB | ≤0.8 |
| 30 | 30 dB | ≤1.0 |



| YYY | Connector 1 | Connector 2 |
|------|-----------------------|-------------------------|
| -N | N - Male | N - Female |
| -D | 7/16 DIN Male | 7/16 DIN Female |
| -41D | 4.1/9.5 mini-DIN Male | 4.1/9.5 mini-DIN Female |
| -43D | 4.3/10 mini-DIN Male | 4.3/10 mini-DIN Female |